



Chipsmall Limited consists of a professional team with an average of over 10 year of expertise in the distribution of electronic components. Based in Hongkong, we have already established firm and mutual-benefit business relationships with customers from,Europe,America and south Asia,supplying obsolete and hard-to-find components to meet their specific needs.

With the principle of "Quality Parts,Customers Priority,Honest Operation,and Considerate Service",our business mainly focus on the distribution of electronic components. Line cards we deal with include Microchip,ALPS,ROHM,Xilinx,Pulse,ON,Everlight and Freescale. Main products comprise IC,Modules,Potentiometer,IC Socket,Relay,Connector.Our parts cover such applications as commercial,industrial, and automotives areas.

We are looking forward to setting up business relationship with you and hope to provide you with the best service and solution. Let us make a better world for our industry!



Contact us

Tel: +86-755-8981 8866 Fax: +86-755-8427 6832

Email & Skype: info@chipsmall.com Web: www.chipsmall.com

Address: A1208, Overseas Decoration Building, #122 Zhenhua RD., Futian, Shenzhen, China



LUMOTAST 25 - Keylock switch

1.15.156.001/0000

Included: 2 keys.



General information

| | |
|----------------|--------------|
| Color of lens | black opaque |
| Form of collar | square |

Dimensions

| | |
|------------------------------------|---------|
| Length of collar | 25 mm |
| Width of collar | 25 mm |
| Overall height | 32.3 mm |
| Mounting depth with connector | 30.7 mm |
| Mounting depth with plug-in socket | 33.4 mm |
| Mounting hole | 16.2 mm |

Mechanical design

| | |
|-----------------------------|--------------------------------------|
| Mounting | ring nut |
| Terminals | pin connector 4-pol./ plug-in socket |
| Contact system | snap-action contact |
| Contact function | latching |
| Contact arrangement | 1 NO |
| Contact materials | Au |
| Illumination | no |
| Lamp socket | no |
| Lock | cylinder lock |
| Wafers | 8 pins |
| Lock type | 5201 |
| Number of locking positions | 10,000 |
| Main key | yes |
| Symmetric key | yes |
| Key removal position | 0 |

Mechanical characteristics

| | |
|----------------------|-------|
| Operating force max. | 1.5 N |
| Rotating angle | 90° |

Electrical characteristics

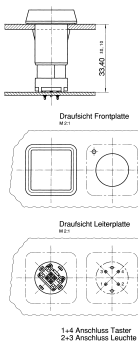
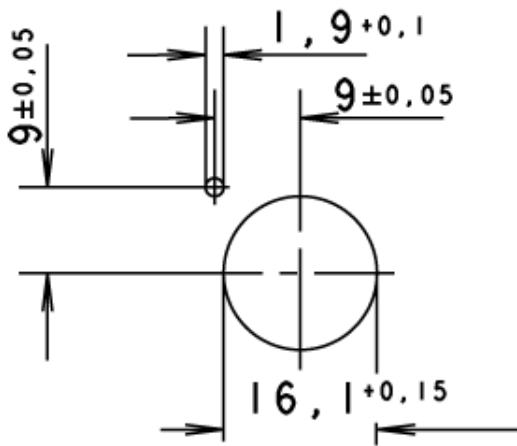
| | |
|--------------------------------------|---------|
| Rated voltage AC/DC max. | 35 V |
| Rated voltage AC/DC min. | 0.02 V |
| Rated current AC/DC max. | 100 mA |
| Rated current AC/DC min. | 0.01 mA |
| Contact resistance acc. to life max. | 100 mΩ |

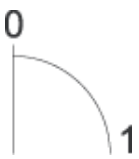
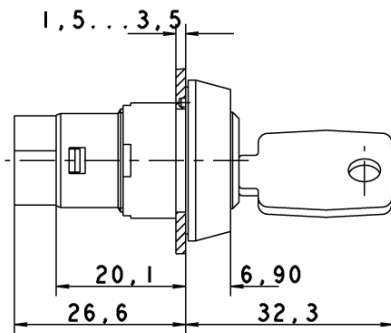
| | |
|--------------------|------|
| Bouncing time max. | 5 ms |
|--------------------|------|

Other specifications

| | |
|--------------------------------------|--|
| Operating life (operations) | 50,000 cycle |
| Degree of protection from front side | IP65 (DIN EN 60529) |
| Operation temperature min. | -25 °C |
| Ambient temp. operating max. | +70 °C |
| Storage temperature min. | -40 °C |
| Storage temperature max. | +80 °C |
| Environmental resistance | acc. to IEC 60068-2-14, -30, -33 and -78 |
| Weight | 20 g |
| ROHS compliant | yes |
| REACH compliant | yes |

Panel cut-out





with socket connector

