



Chipsmall Limited consists of a professional team with an average of over 10 year of expertise in the distribution of electronic components. Based in Hongkong, we have already established firm and mutual-benefit business relationships with customers from,Europe,America and south Asia,supplying obsolete and hard-to-find components to meet their specific needs.

With the principle of “Quality Parts,Customers Priority,Honest Operation,and Considerate Service”,our business mainly focus on the distribution of electronic components. Line cards we deal with include Microchip,ALPS,ROHM,Xilinx,Pulse,ON,Everlight and Freescale. Main products comprise IC,Modules,Potentiometer,IC Socket,Relay,Connector.Our parts cover such applications as commercial,industrial, and automotives areas.

We are looking forward to setting up business relationship with you and hope to provide you with the best service and solution. Let us make a better world for our industry!



Contact us

Tel: +86-755-8981 8866 Fax: +86-755-8427 6832

Email & Skype: info@chipsmall.com Web: www.chipsmall.com

Address: A1208, Overseas Decoration Building, #122 Zhenhua RD., Futian, Shenzhen, China



4

3

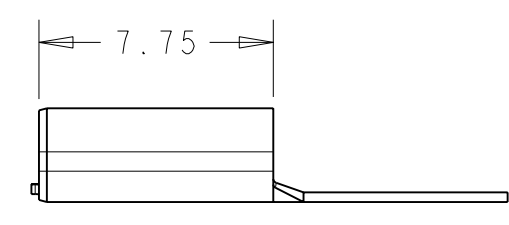
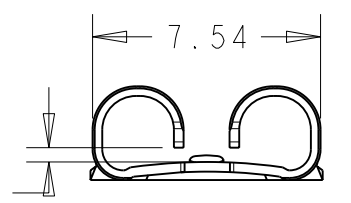
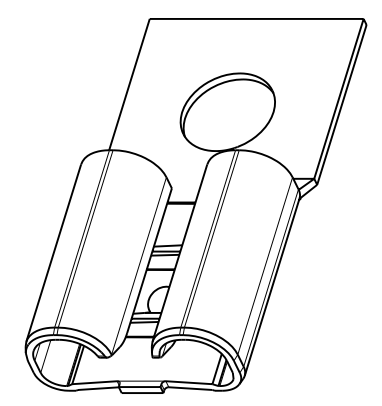
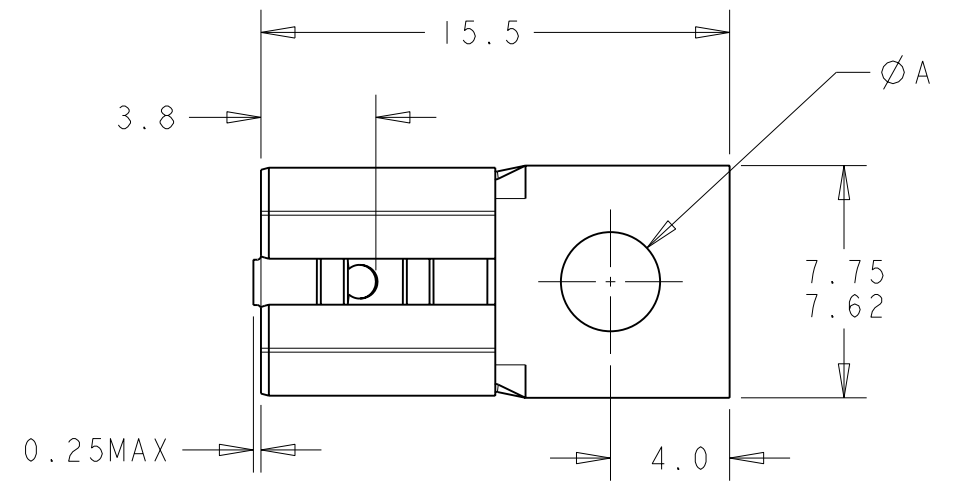
2

1

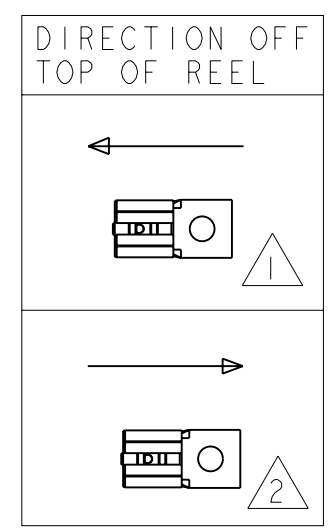
THIS DRAWING IS UNPUBLISHED. RELEASED FOR PUBLICATION 20

© COPYRIGHT 20 BY TYCO ELECTRONICS CORPORATION. ALL RIGHTS RESERVED.

LOC	DIST	REVISIONS					
B	E	P	LTR	DESCRIPTION	DATE	DWN	APVD
			F	ECR-09-005096	04/03/09	MJG	JA
			F1	ECR-10-000003	22APR10	RK	SRE



OBSOLETE	2	2.41/2.49	PRE TIN	BRASS	1-151939-4
	2	2.41/2.49	NONE	BRASS	1-151939-3
	2	3.28	NONE	BRASS	1-151939-1
OBSOLETE	1	3.18	NONE	BRASS	1-151939-0
	1	2.41/2.49	PRE TIN	BRASS	151939-4
	1	2.41/2.49	NONE	BRASS	151939-3
	1	3.28	ELECTRO TIN	BRASS	151939-2
	1	3.28	NONE	BRASS	151939-1
	1	3.18	NONE	BRASS	151939
REELING		ØA DIM	FINISH	MATERIAL	PART NO



THIS DRAWING IS A CONTROLLED DOCUMENT FOR TYCO ELECTRONICS CORPORATION IT IS SUBJECT TO CHANGE AND THE CONTROLLING ENGINEERING ORGANIZATION SHOULD BE CONTACTED FOR THE LATEST REVISION.

DIMENSIONS:	TOLERANCES UNLESS OTHERWISE SPECIFIED:
mm	
	0 PLC ±0.4
	1 PLC ±0.4
	2 PLC ±0.4
	3 PLC ±0.4
	4 PLC ±0.4
	ANGLES ±0.5
MATERIAL	FINISH
See Table	-

DWN M. GREENER 04MAR2009	Tyco Electronics UK Ltd. Bideford, North Devon, EX39 4HE	
CHK J. AMBROSE 04MAR2009	NAME FASTON TAB ADAPTOR	
APVD J. AMBROSE 04MAR2009	PRODUCT SPEC -	RESTRICTED TO -
APPLICATION SPEC -	SIZE A3	CAGE CODE 00779
WEIGHT -	DRAWING NO C-151939	SCALE 4:1
CUSTOMER DRAWING	SHEET 1	OF 1
	REV F1	