



Chipsmall Limited consists of a professional team with an average of over 10 year of expertise in the distribution of electronic components. Based in Hongkong, we have already established firm and mutual-benefit business relationships with customers from,Europe,America and south Asia,supplying obsolete and hard-to-find components to meet their specific needs.

With the principle of "Quality Parts,Customers Priority,Honest Operation,and Considerate Service",our business mainly focus on the distribution of electronic components. Line cards we deal with include Microchip,ALPS,ROHM,Xilinx,Pulse,ON,Everlight and Freescale. Main products comprise IC,Modules,Potentiometer,IC Socket,Relay,Connector.Our parts cover such applications as commercial,industrial, and automotives areas.

We are looking forward to setting up business relationship with you and hope to provide you with the best service and solution. Let us make a better world for our industry!



Contact us

Tel: +86-755-8981 8866 Fax: +86-755-8427 6832

Email & Skype: info@chipsmall.com Web: www.chipsmall.com

Address: A1208, Overseas Decoration Building, #122 Zhenhua RD., Futian, Shenzhen, China



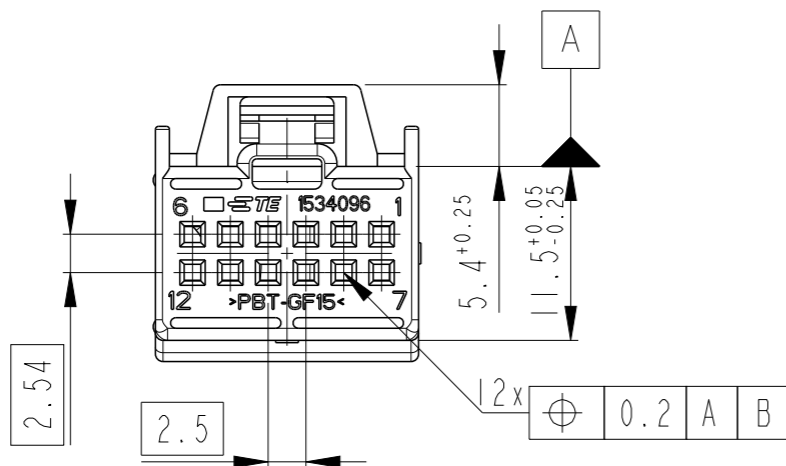
THIS DRAWING IS UNPUBLISHED
 VERTRAULICHE UNVERÖFFENTLICHTE ZEICHNUNG
 RELEASED FOR PUBLICATION
 FREI FUER VERÖFFENTLICHUNG
 - 2001
 COPYRIGHT 2001 BY TYCO ELECTRONICS CORPORATION
 ALL RIGHTS RESERVED.
 ALLE RECHTE VORBEHALTEN

MATED WITH:
 PASSEND ZU:

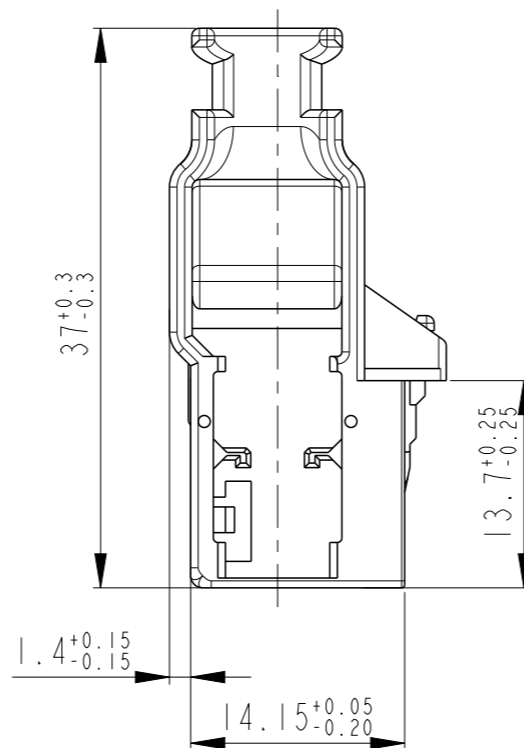
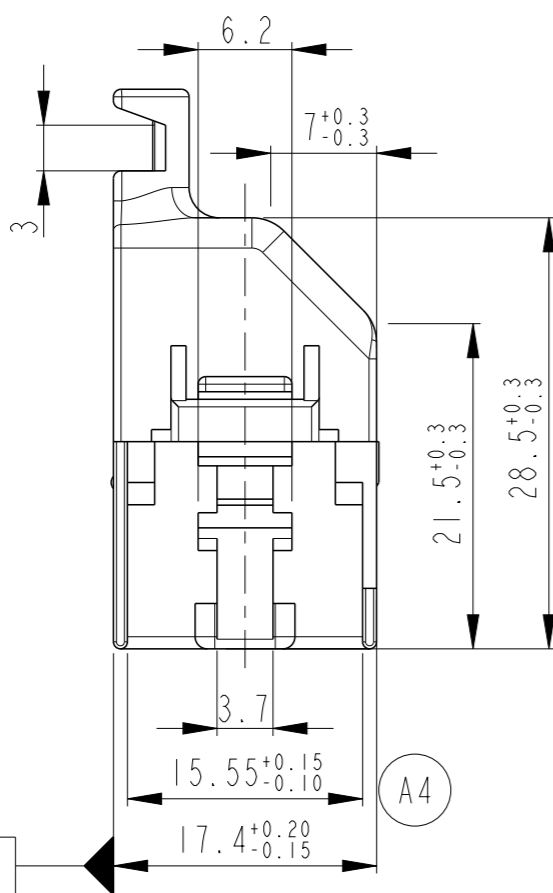
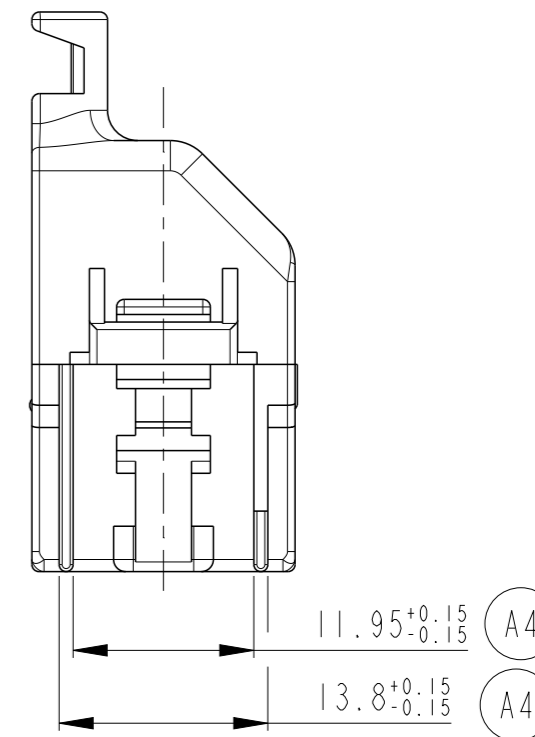
REVISIONS
 AENDERUNGEN

P	LTR	DESCRIPTION BESCHREIBUNG	DATE	DWN	APVD
A3		Zeichnung ueberarbeitet	13AUG2003	RD	BL
A4		TOLERANCE UPDATED FOR CODING DIMENSIONS	23JAN2014	MV	MDG

①
 CODING A
 Kodierung A



②
 CODING B
 Kodierung B



Notes

- 1 SUITABLE MATING PART: 967250
- 2 SUITABLE RECEPTACLE HOUSING: 1534100

Bemerkungen

- 1 Passender Gegenstecker: 967250
- 2 Passendes Buchsengehäuse: 1534100

PART-NO. Bestell-Nr.	REV.	CODING Kodierung	MATERIAL	COLOUR Farbe	RAL	POS.
1-1534096-2	A	B	PBT-GF15	BROWN / braun	1011	1
1-1534096-1	A	A	PBT-GF15	BLACK / schwarz	9011	1

TOLERANCES UNLESS OTHERWISE SPECIFIED ACC. TO DIN 16901-140 (M) CENTRIC TO NOMINAL DIMENSION. EDITION 1982-11 SHALL APPLY. Freimastoleranzen nach DIN 16901-140 (M). Es gilt die Ausgabe 1982-11.	
THIS DRAWING IS A CONTROLLED DOCUMENT. DIESES ZEICHNUNGSDOKUMENT WIRD DURCH AMP INCORPORATED KONTROLLIERT. AENDERUNGEN, DIE DEM TECHNISCHEN FORTSCHRITT DIENEN, SIND VORBEHALTEN. DEN JEWELIGS LETZTGUELTIGEN AENDERUNGSSTAND ERFAHREN SIE AUF ANFRAGE.	DWN 04JUL2001 K. Sellien CHK 12JUL2001 B. Kirsch
DIMENSIONS: MASSEINHEITEN: mm	TOLERANCES UNLESS OTHERWISE SPECIFIED: ALLGEMEINTOLERANZEN
	0 PLC ± 1 PLC ± 2 PLC ± 3 PLC ± 4 PLC ± ANGLES/WINKEL ±2°
MATERIAL SEE TABLE	FINISH/OBERFLAECHE/FARBE SEE TABLE

STE TE Connectivity			
COVER, 180DEG., 2x6 POSN., MQS Buchsengehäuse, 180deg., 2x6 pol., MQS			
SIZE A3	CAGE CODE 00779	DRAWING NO ZEICHNUNGS-NR. G-1534096	RESTRICTED TO NUR FUER -
Customer Drawing / KUNDENZEICHNUNG		SCALE MASSSTAB 2:1	SHEET BLATT 1 OF VON 1 REV A4