



Chipsmall Limited consists of a professional team with an average of over 10 year of expertise in the distribution of electronic components. Based in Hongkong, we have already established firm and mutual-benefit business relationships with customers from,Europe,America and south Asia,supplying obsolete and hard-to-find components to meet their specific needs.

With the principle of "Quality Parts,Customers Priority,Honest Operation,and Considerate Service",our business mainly focus on the distribution of electronic components. Line cards we deal with include Microchip,ALPS,ROHM,Xilinx,Pulse,ON,Everlight and Freescale. Main products comprise IC,Modules,Potentiometer,IC Socket,Relay,Connector.Our parts cover such applications as commercial,industrial, and automotives areas.

We are looking forward to setting up business relationship with you and hope to provide you with the best service and solution. Let us make a better world for our industry!



## Contact us

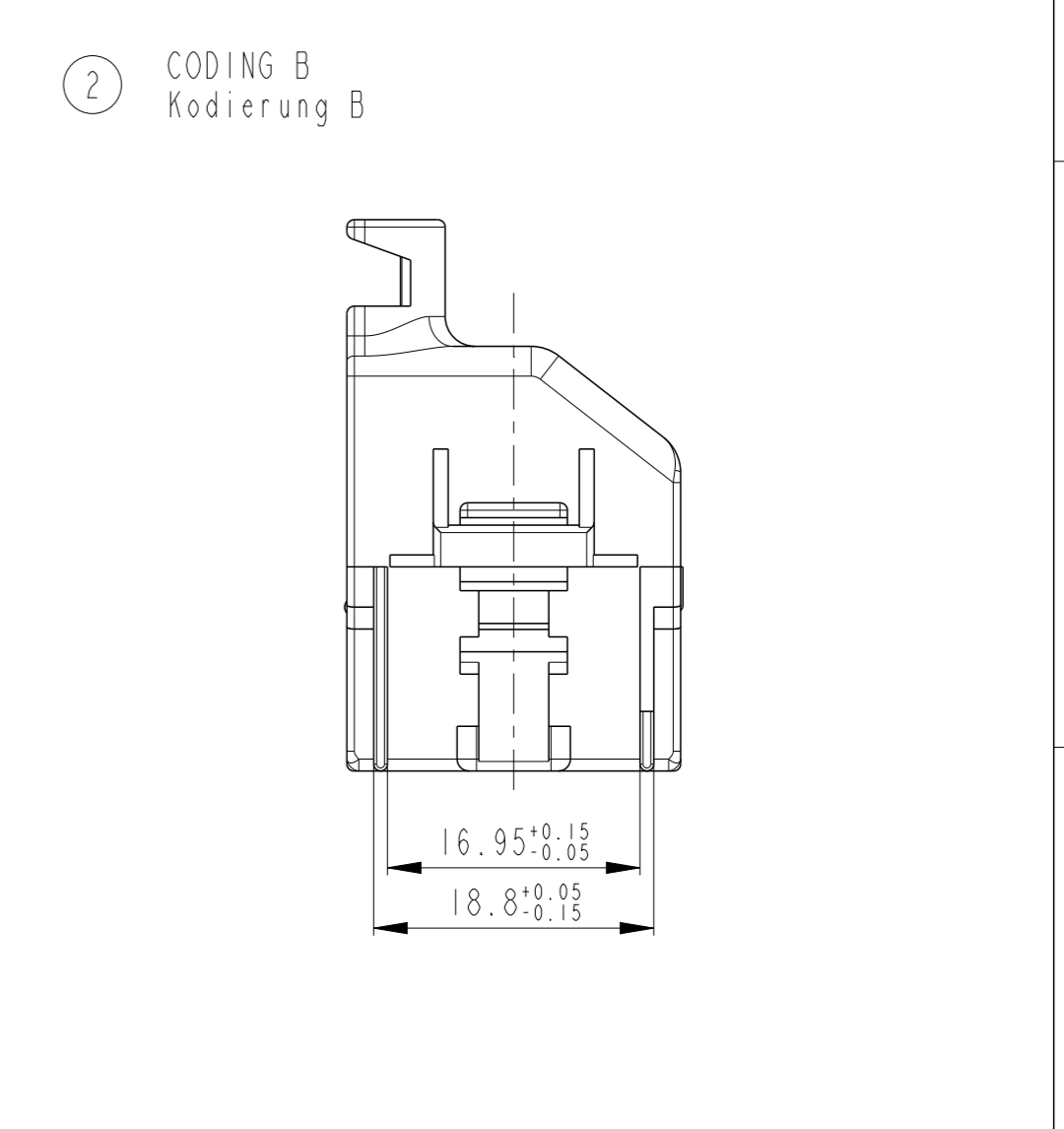
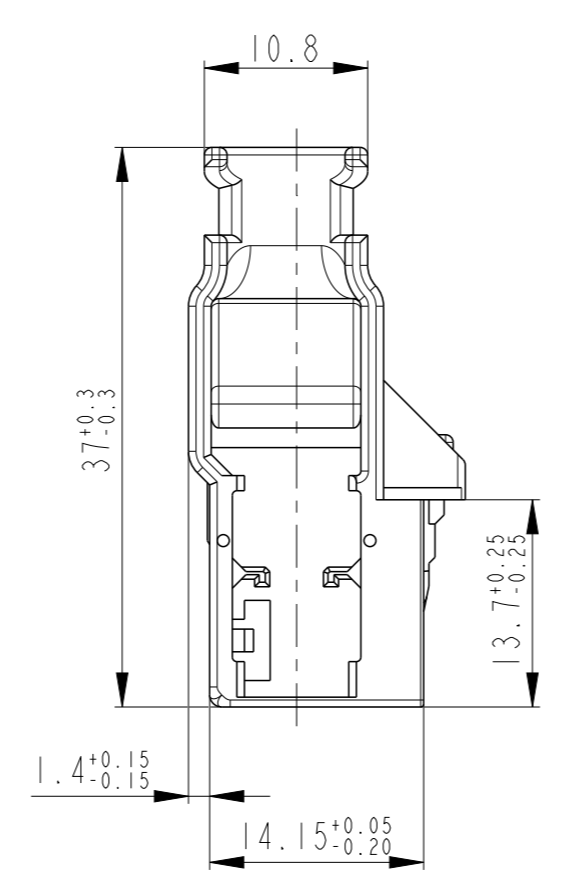
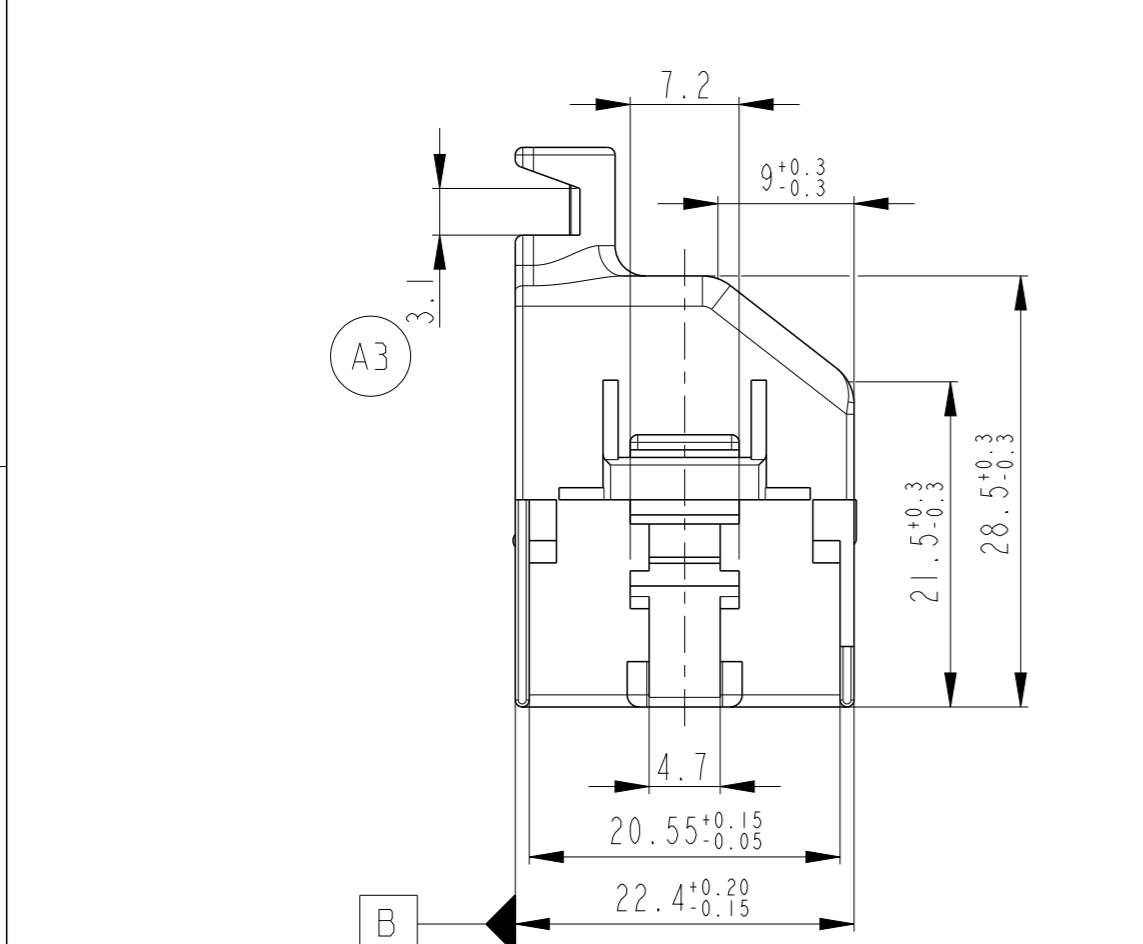
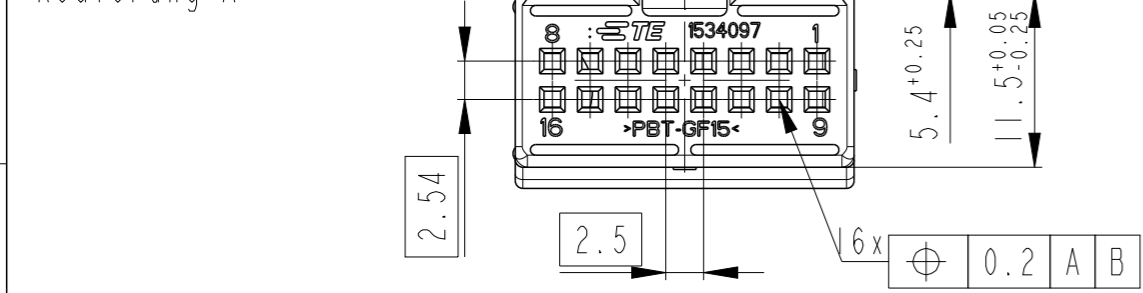
Tel: +86-755-8981 8866 Fax: +86-755-8427 6832

Email & Skype: info@chipsmall.com Web: www.chipsmall.com

Address: A1208, Overseas Decoration Building, #122 Zhenhua RD., Futian, Shenzhen, China



REVISIONS ÄNDERUNGEN		DESCRIPTION BESCHREIBUNG	DATE	DWN	APVD
P	LTR				
	A1	Zeichnung neu erstellt	04JUL2001	KS	BK
	A2	Note 2 (D) korrigiert	15JUL2002	KS	BL
	A3	Maß "3,1" korrigiert	04JUL2016	JU	KS



- Notes
- 1 SUITABLE MATING PART: 966870
  - 2 SUITABLE RECEPTACLE HOUSING: 1534101
- Bemerkungen
- 1 Passender Gegenstecker: 966870
  - 2 Passendes Buchsengehäuse: 1534101

PART-NO. Bestell-Nr.	REV.	CODING Kodierung	MATERIAL	COLOUR Farbe	RAL	POS.
1-1534097-2	A	B	PBT-GF15	BLACK / schwarz	9011	2
1-1534097-1	A	A	PBT-GF15	BROWN / braun	1011	1

DIESE ZEICHNUNG IST EIN KONTROLLIERTES DOKUMENT.  
 BEMASSUNGEN UND TOLERANZEN GEMAESS GPS (ISO STANDARDS).

THIS DRAWING IS A CONTROLLED DOCUMENT.  
 DIMENSIONING AND TOLERANCING PER GPS (ISO STANDARDS).

DIMENSIONS: MASSEINHEITEN: mm	TOLERANCES UNLESS OTHERWISE SPECIFIED: ALLGEMEINTOLERANZEN	DWN K. Sellien 04JUL2001	 TE Connectivity
	0 PLC ± ACC. TO 1 PLC ± DIN 16901-140 2 PLC ± CENTRIC TO 3 PLC ± NOMINAL DIM 4 PLC ± ANGLES/WINKEL ±2°	CHK B. Kirsch 12JUL2001	
		APVD -	
		PRODUCT SPEC PRODUKTSPEZ. -	
MATERIAL SEE TABLE material_2	FINISH/OBERFLAECHE/FARBE SEE TABLE finish_spec_2	APPLICATION SPEC VERARBEITUNGSSPEZ. -	NAME COVER, 180DEG., 2x8 POSN., MQS Buchsengehäuse, 180deg., 2x8 pol., MQS
		WEIGHT GEWICHT -	SIZE A3
			CAGE CODE 00779
			DRAWING NO ZEICHNUNGS-NR. G=1534097
			RESTRICTED TO NUR FUER -
			CUSTOMER DRAWING / KUNDENZEICHNUNG
			SCALE MASSSTAB 2:1
			SHEET BLATT 1 OF 1 VON 1
			REV A3