



Chipsmall Limited consists of a professional team with an average of over 10 year of expertise in the distribution of electronic components. Based in Hongkong, we have already established firm and mutual-benefit business relationships with customers from,Europe,America and south Asia,supplying obsolete and hard-to-find components to meet their specific needs.

With the principle of “Quality Parts,Customers Priority,Honest Operation,and Considerate Service”,our business mainly focus on the distribution of electronic components. Line cards we deal with include Microchip,ALPS,ROHM,Xilinx,Pulse,ON,Everlight and Freescale. Main products comprise IC,Modules,Potentiometer,IC Socket,Relay,Connector.Our parts cover such applications as commercial,industrial, and automotives areas.

We are looking forward to setting up business relationship with you and hope to provide you with the best service and solution. Let us make a better world for our industry!



## Contact us

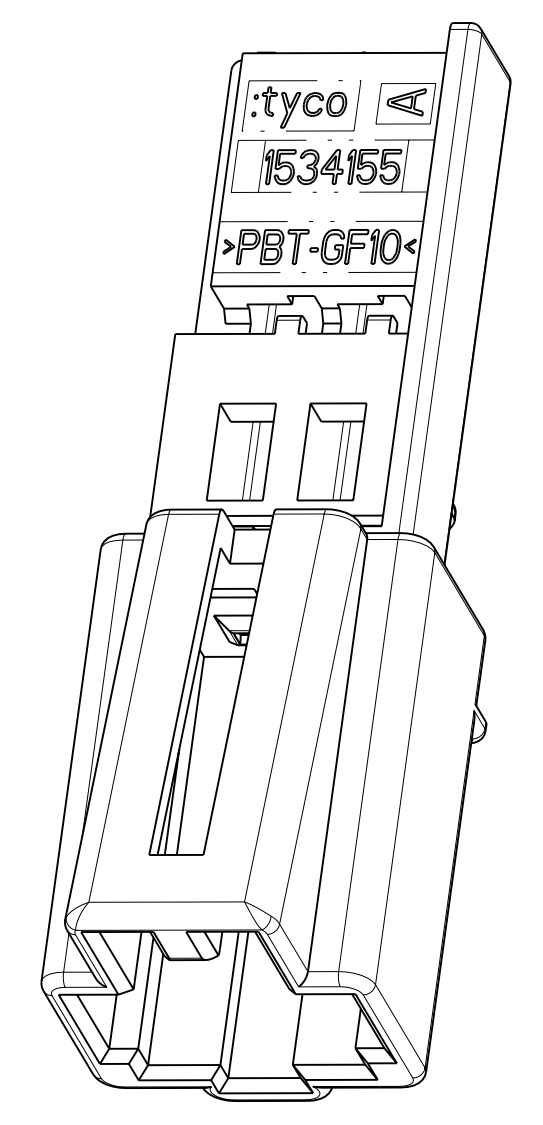
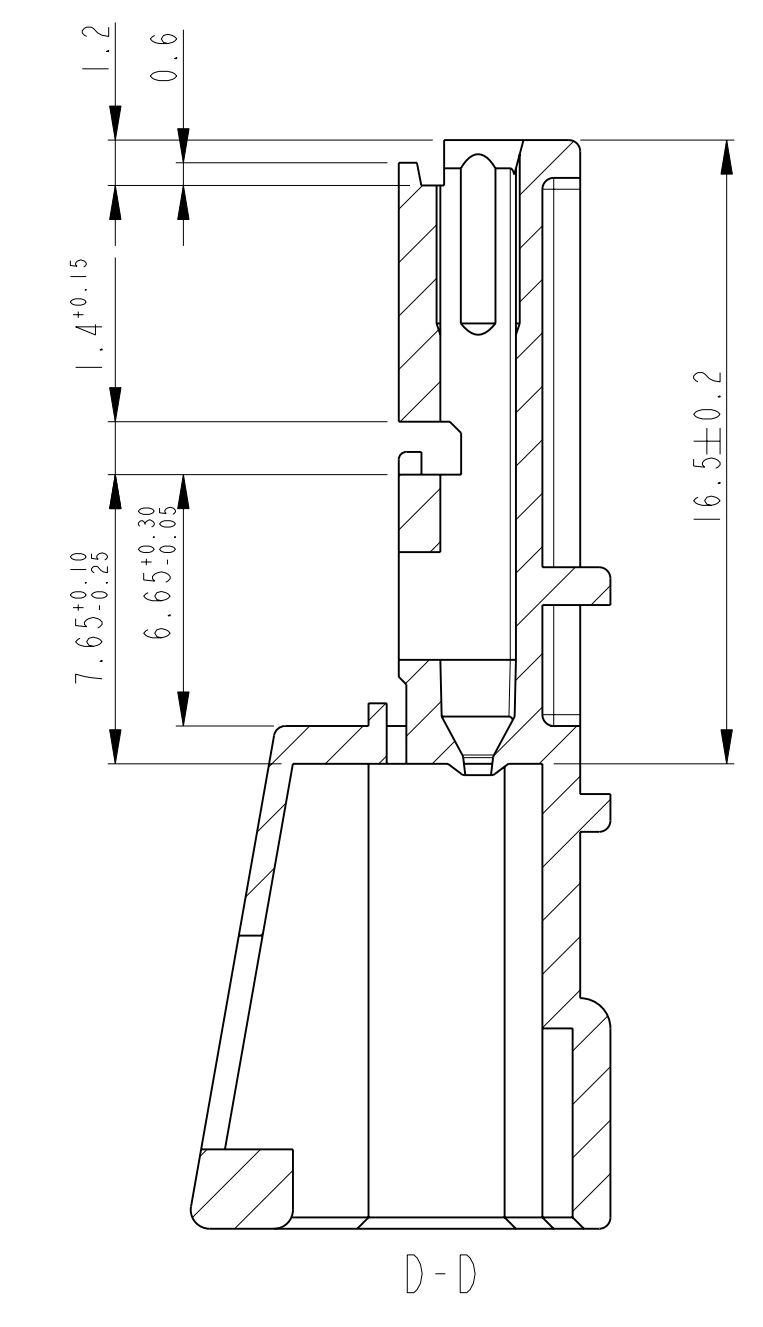
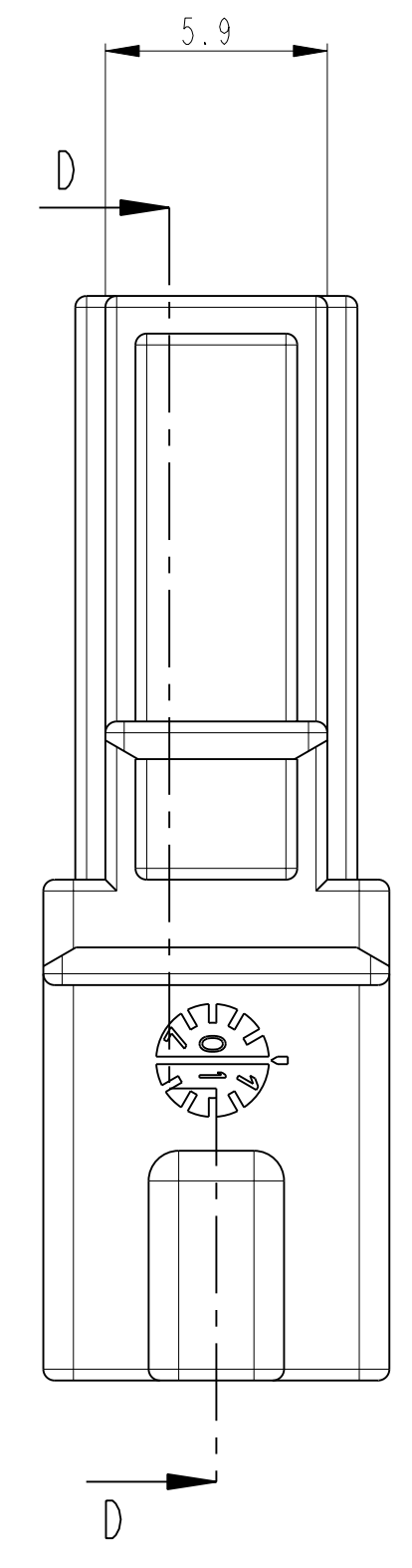
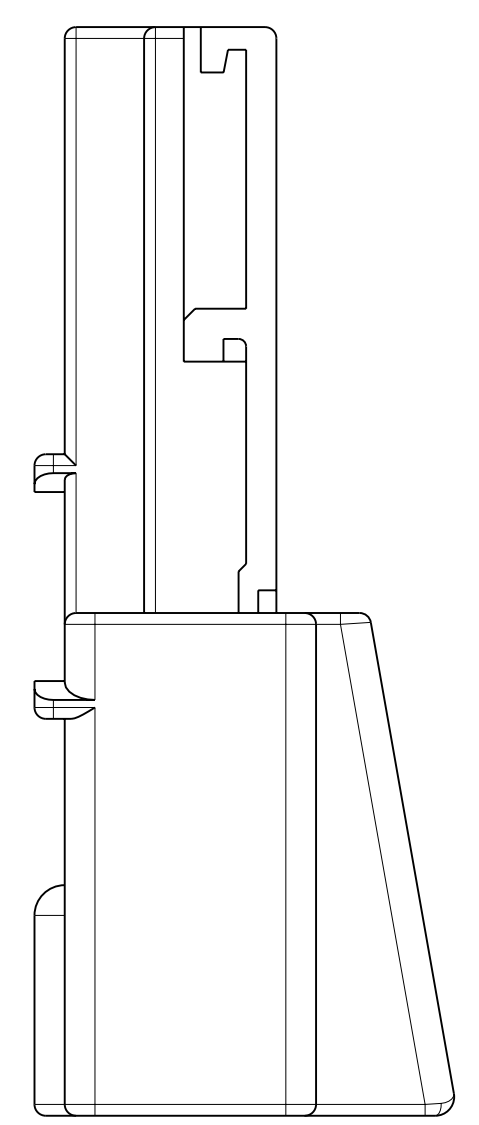
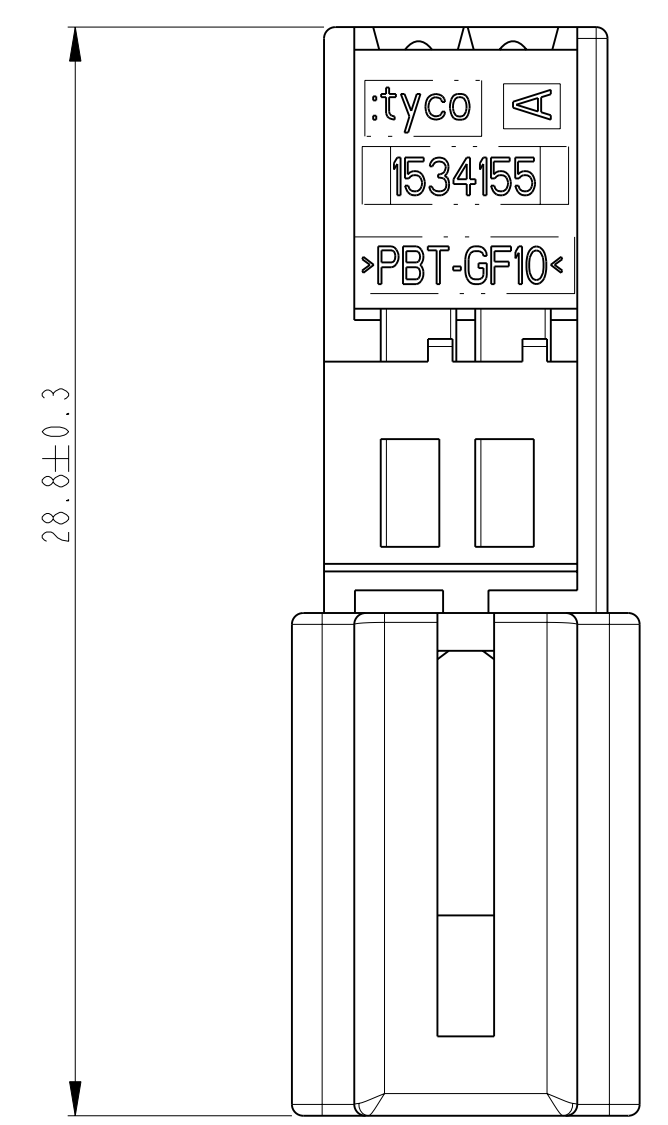
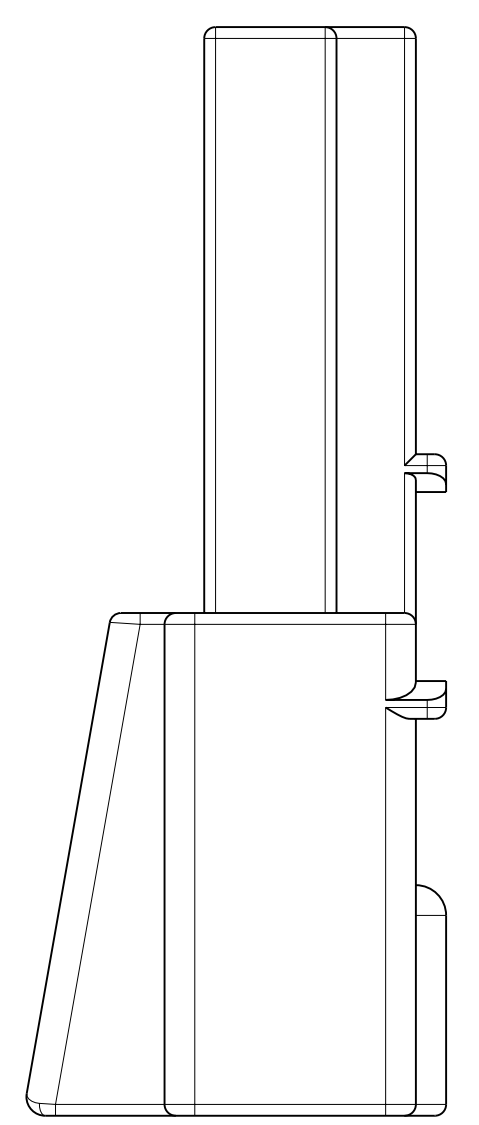
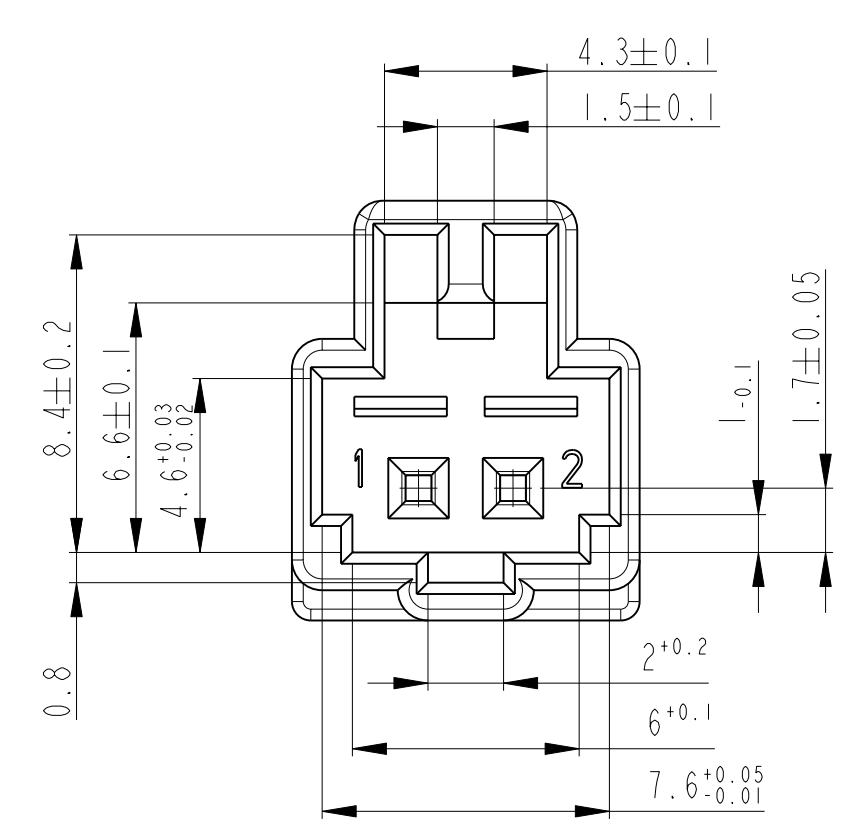
Tel: +86-755-8981 8866 Fax: +86-755-8427 6832

Email & Skype: info@chipsmall.com Web: www.chipsmall.com

Address: A1208, Overseas Decoration Building, #122 Zhenhua RD., Futian, Shenzhen, China



LOC	DIST	REV	DATE	DWN	APVD
A1	-	A1	08AUG01	GF	BK
		A2	10JAN2003	PS	BL
		A3	04DEC2003	GF	BL
		A4	29SEP2008	PS	MZ

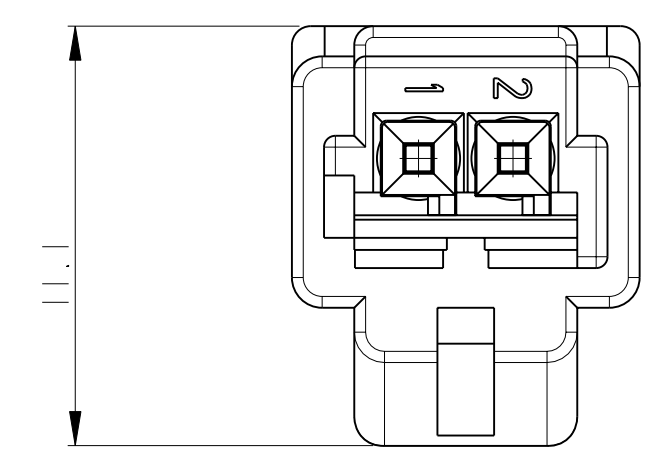


Bemerkungen

- Verwendet mit Verriegelung 1534027  
Passender Gegenstecker 1534111
- Nach dem Bestuecken der Stiftkammer mit Kontakten werden Stiftgehäuse und Verriegelung zusammenschoben
- Passende Stiftkontakte: 1355719, DGB 0.14 - 0.22 mm2  
928918, DGB 0.20 - 0.50 mm2  
963716, DGB 0.75 mm2
- Verpackung: Schuetztgut in Karton

NOTES

- USED WITH RETAINER 1534027  
MATING PART: 1534111
- AFTER PROVIDING THE CAVITIES WITH CONTACTS  
PIN HOUSING AND RETAINER WILL BE PUSHED TOGETHER
- SUITABLE PIN CONTACTS: 1355719, WIRE RANGE 0.14 - 0.22 mm2  
928918, WIRE RANGE 0.20 - 0.50 mm2  
963716, WIRE RANGE 0.75 mm2
- PACKAGING: LOOSE PIECE IN BOX



1-1534155-1	A	PBT-GF	BLACK/ schwarz	PIN HSG./ Stiftgehäuse	I	I
PART NO. Teil Nr.	REV.	MATERIAL	COLOR Farbe	DESCRIPTION/ Benennung	QTY.	ITEM NO.
DWN S. Fischer	08AUG01	08AUG01		tyco Electronics AMP GmbH D - 64625 Bensheim		
CHK B. Kirsch						
APVD						
DIMENSIONS MASSEINHEITEN: mm				TOLERANCES, UNLESS OTHERWISE SPECIFIED: ALL DIMENSIONS IN MILLIMETERS		
PRODUCT SPEC ACC. TO ± DIN 16901-140 ± CENTRIC TO ± 108-18924 APPLICATION SPEC ± NOMINAL DIM				PRODUCT SPEC ACC. TO ± DIN 16901-140 ± CENTRIC TO ± 108-18924 APPLICATION SPEC ± NOMINAL DIM		
MATERIAL FINISH/OBERFLÄCHE/FARBE				WEIGHT 0,9g CUSTOMER DRAWING		
SCALE 5:1				SHEET 1 OF 1		
DRAWING NO. 00779				DRAWING NO. 1534155		
RESTRICTED TO NUR FÜR				REV A4		