



Chipsmall Limited consists of a professional team with an average of over 10 year of expertise in the distribution of electronic components. Based in Hongkong, we have already established firm and mutual-benefit business relationships with customers from,Europe,America and south Asia,supplying obsolete and hard-to-find components to meet their specific needs.

With the principle of “Quality Parts,Customers Priority,Honest Operation,and Considerate Service”,our business mainly focus on the distribution of electronic components. Line cards we deal with include Microchip,ALPS,ROHM,Xilinx,Pulse,ON,Everlight and Freescale. Main products comprise IC,Modules,Potentiometer,IC Socket,Relay,Connector.Our parts cover such applications as commercial,industrial, and automotives areas.

We are looking forward to setting up business relationship with you and hope to provide you with the best service and solution. Let us make a better world for our industry!



Contact us

Tel: +86-755-8981 8866 Fax: +86-755-8427 6832

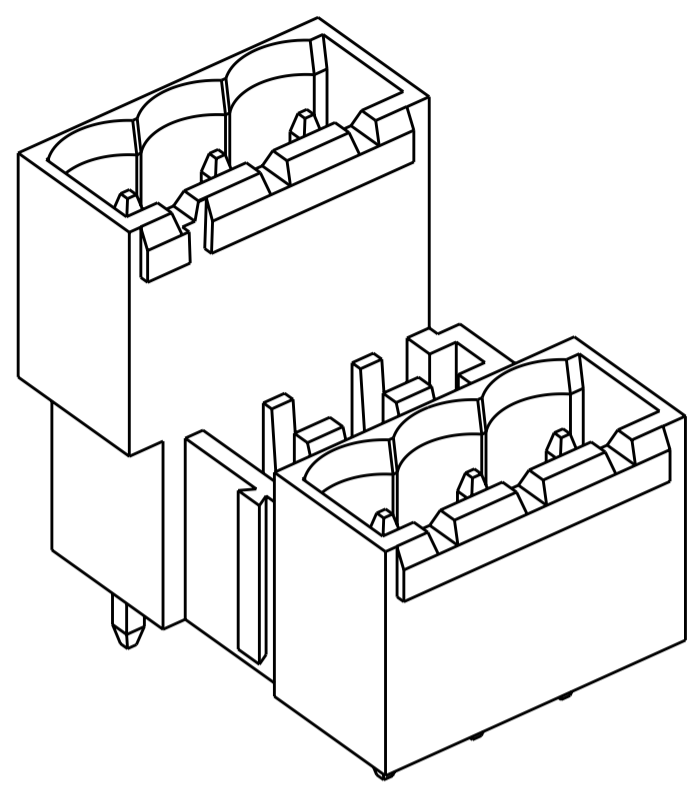
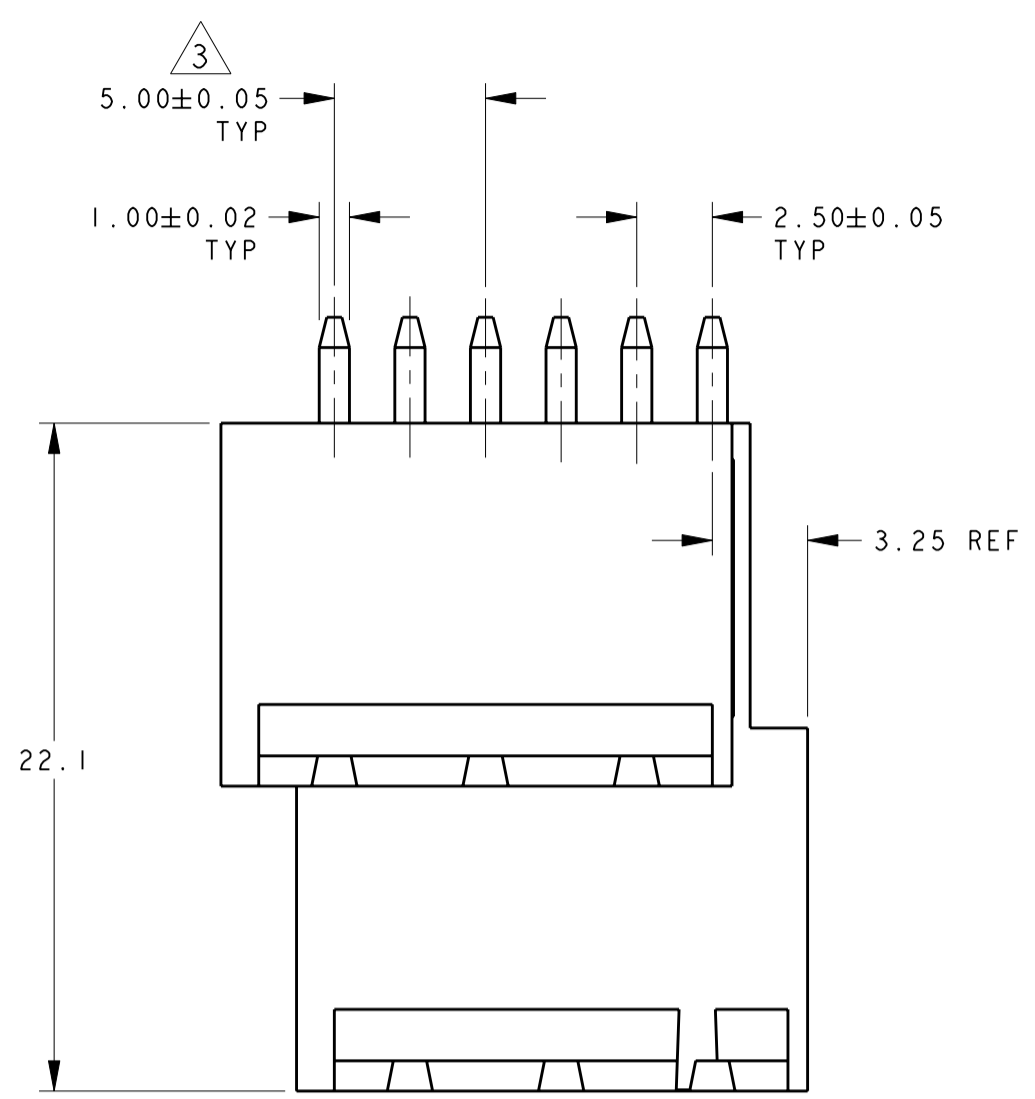
Email & Skype: info@chipsmall.com Web: www.chipsmall.com

Address: A1208, Overseas Decoration Building, #122 Zhenhua RD., Futian, Shenzhen, China



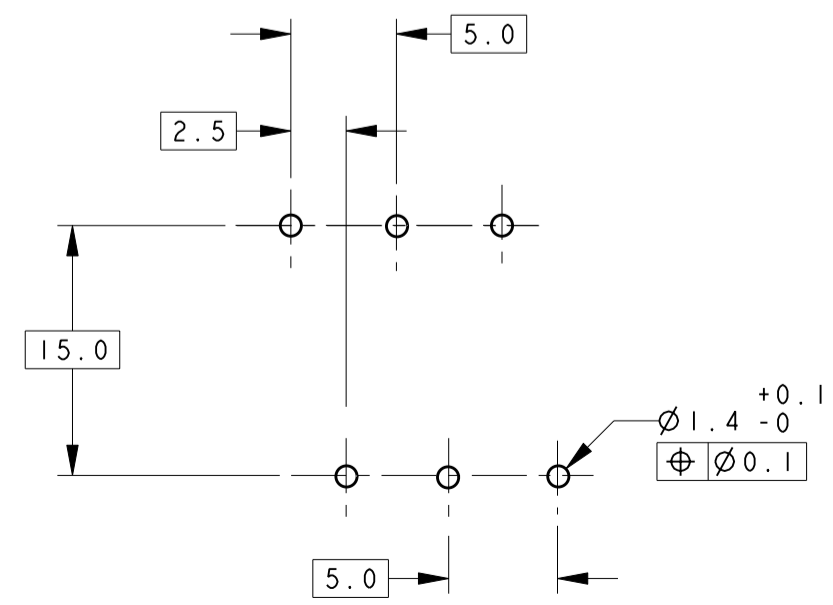
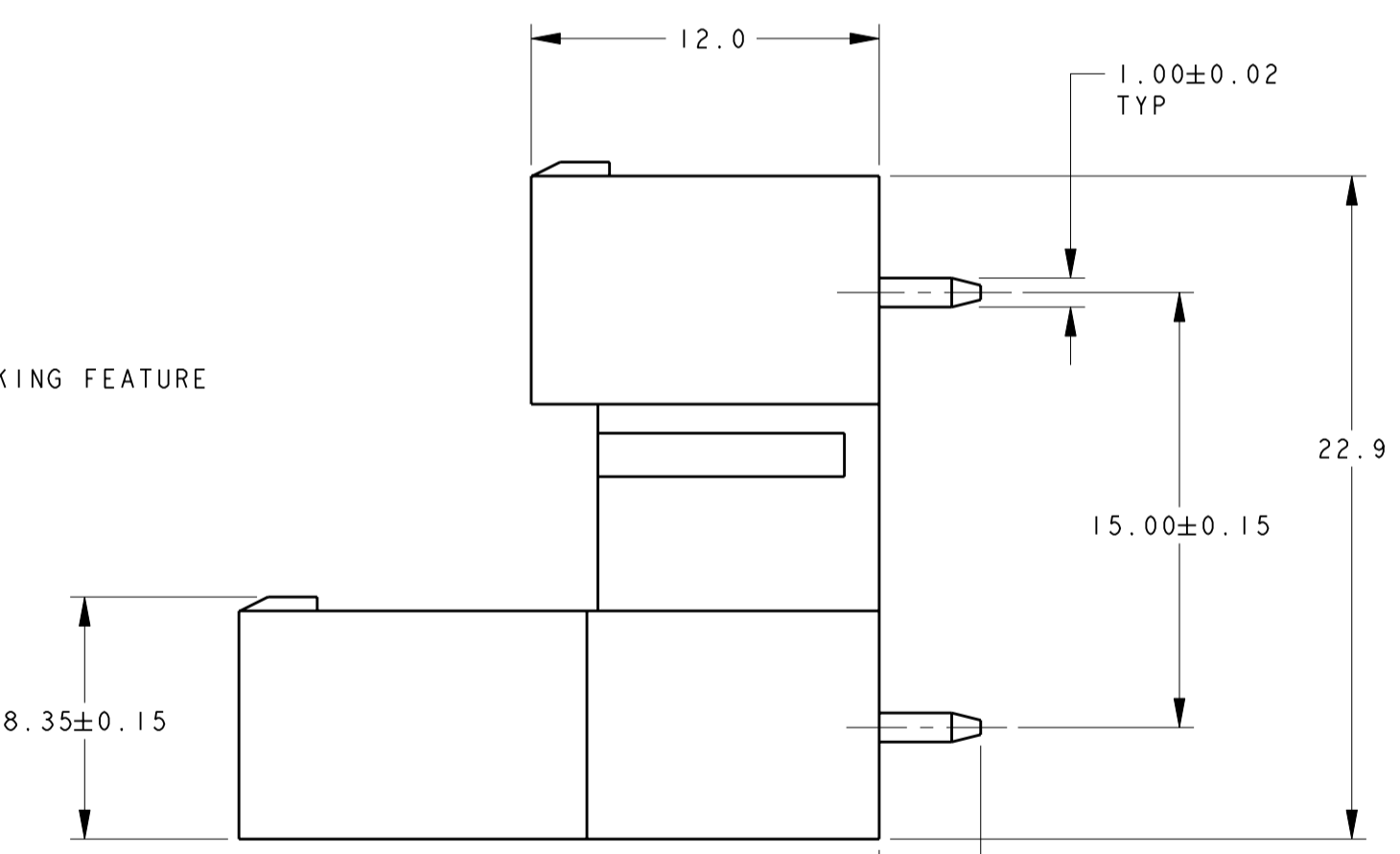
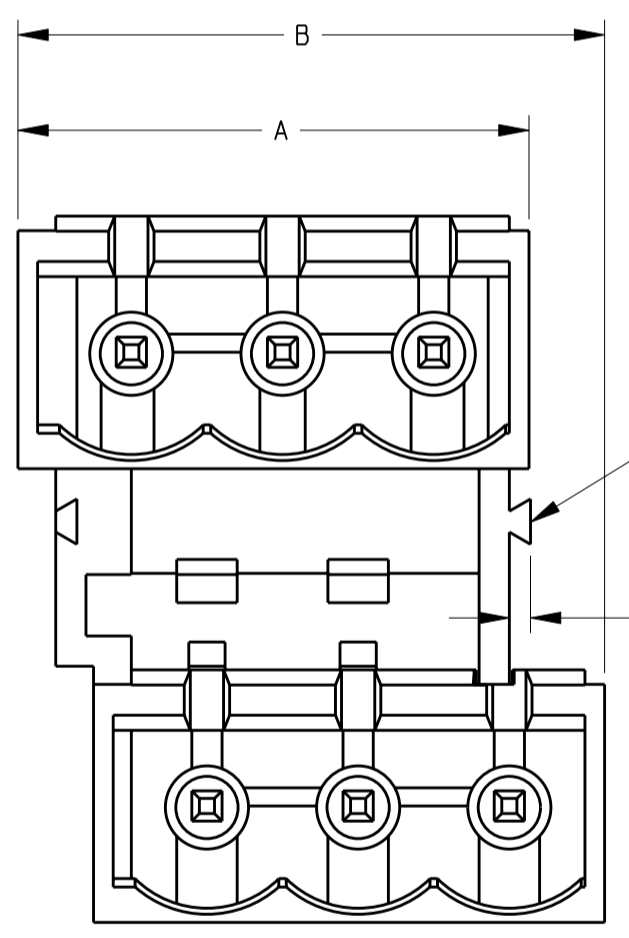
THIS DRAWING IS UNPUBLISHED. RELEASED FOR PUBLICATION 20
 © COPYRIGHT 20 BY - ALL RIGHTS RESERVED.

REVISIONS				DATE	DWN	APVD
P	LTR	DESCRIPTION				
	01	REVISED PER ECO-12-007714	25APR2012	KH	MS	



1546106-3 AS SHOWN
SCALE 3:1

- 1 MATERIALS AND FINISH
HOUSING: PA 6-6, UL 94-V0, COLOR BLACK.
TERMINAL: COPPER ALLOY, TIN PLATED.
- 2 SUITABLE FOR 1.6-2.4mm PC BOARD THICKNESS.
- 3 NOT CUMULATIVE TOLERANCE.
- 4 P/N FROM 1546106-3 TO 2-1546106-5 ARE OBTAINED BY ASSEMBLING DIFFERENT MONOLITHIC MODULES CHOSEN AMONG : 1546106-2 AND 1546106-3, IN ORDER TO REALIZE THE DESIRED NUMBER OF WAYS.



RECOMMENDED PC BOARD LAYOUT

127	129.5	25	2-1546106-5
122	124.5	24	2-1546106-4
117	119.5	23	2-1546106-3
112	114.5	22	2-1546106-2
107	109.5	21	2-1546106-1
102	104.5	20	2-1546106-0
97	99.5	19	1-1546106-9
92	94.5	18	1-1546106-8
87	89.5	17	1-1546106-7
82	84.5	16	1-1546106-6
77	79.5	15	1-1546106-5
72	74.5	14	1-1546106-4
67	69.5	13	1-1546106-3
62	64.5	12	1-1546106-2
57	59.5	11	1-1546106-1
52	54.5	10	1-1546106-0
47	49.5	9	1546106-9
42	44.5	8	1546106-8
37	39.5	7	1546106-7
32	34.5	6	1546106-6
27	29.5	5	1546106-5
22	24.5	4	1546106-4
17	19.5	3	1546106-3
12	14.5	2	1546106-2

A	B	NO OF POSN	PART NUMBER
---	---	------------	-------------

THIS DRAWING IS A CONTROLLED DOCUMENT.

DIMENSIONS: mm

TOLERANCES UNLESS OTHERWISE SPECIFIED:

0 PLC	±.3
1 PLC	±.25
2 PLC	±.25
3 PLC	±.25
4 PLC	±.25
ANGLES	±2
FINISH	

MATERIAL

APVD: D. BIEVENOUR

PRODUCT SPEC

APPLICATION SPEC

WEIGHT

CUSTOMER DRAWING

STE TE Connectivity

NAME: TERMINAL BLOCK
MULTIPLE HEADER 180 DEGREE
CLOSED ENDS, 5.0mm PITCH

SIZE: A200779C-1546106

SCALE: 4:1 SHEET 1 OF 1 REV 01