



Chipsmall Limited consists of a professional team with an average of over 10 year of expertise in the distribution of electronic components. Based in Hongkong, we have already established firm and mutual-benefit business relationships with customers from,Europe,America and south Asia,supplying obsolete and hard-to-find components to meet their specific needs.

With the principle of “Quality Parts,Customers Priority,Honest Operation,and Considerate Service”,our business mainly focus on the distribution of electronic components. Line cards we deal with include Microchip,ALPS,ROHM,Xilinx,Pulse,ON,Everlight and Freescale. Main products comprise IC,Modules,Potentiometer,IC Socket,Relay,Connector.Our parts cover such applications as commercial,industrial, and automotives areas.

We are looking forward to setting up business relationship with you and hope to provide you with the best service and solution. Let us make a better world for our industry!



## Contact us

Tel: +86-755-8981 8866 Fax: +86-755-8427 6832

Email & Skype: info@chipsmall.com Web: www.chipsmall.com

Address: A1208, Overseas Decoration Building, #122 Zhenhua RD., Futian, Shenzhen, China



THIS DRAWING IS UNPUBLISHED. RELEASED FOR PUBLICATION  
 © COPYRIGHT BY TYCO ELECTRONICS CORPORATION. ALL RIGHTS RESERVED.

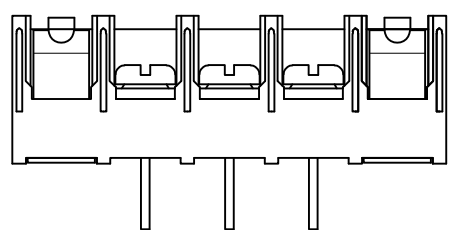
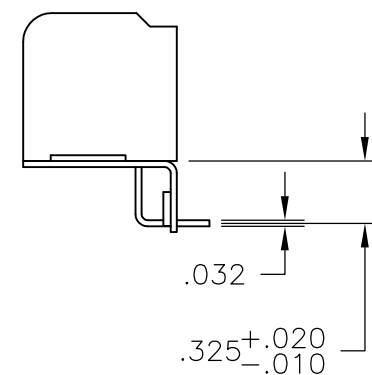
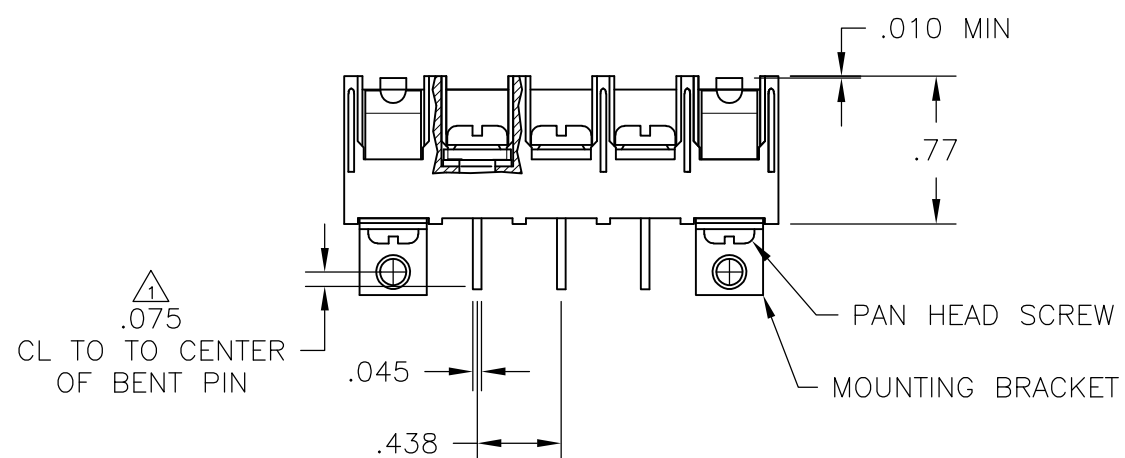
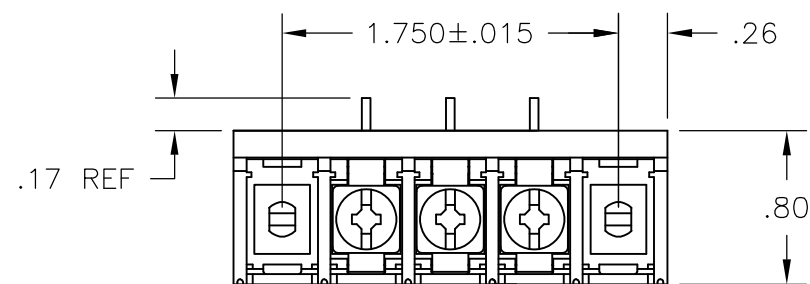
LOC	DIST	REVISIONS			
P	LTR	DESCRIPTION	DATE	DWN	APVD
FT	0	G	REVISED PER ECO-10-004812	04MAY10	HMR CR

MATERIAL:  
 HOUSING: THERMOPLASTIC, UL94V-0, BLACK.  
 TERMINAL: BRIGHT TIN PLATED COPPER ALLOY.  
 SCREWS: 8-32, ZINC PLATED STEEL.

ELECTRICAL:  
 CURRENT RATING: 30A  
 VOLTAGE RATING: 600V  
 WIRE RANGE: 10-18 AWG (UL)  
 10-22 AWG (CSA)

MECHANICAL:  
 RECOMMENDED TORQUE: 20 IN-LB.  
 OPERATING TEMP: -40°C TO +120°C  
 RECOMMENDED PCB HOLE:  $\phi$ .073

- ① ONLY 1-1546160-0.
- ② OBSOLETE PARTS: OBSOLETE CIS STREAMLINING PER D.RENAUD/D.SINISI



2-1546160-0 ②

SEE FIGURE	② OBSOLETE	-	-	3	8WWV-03-654	2-1546160-0
	①	2	2	3	8WWV-03-420	1-1546160-0
		PAN HEAD SCREW	MOUNTING BRACKET	NO OF POS	CATALOG NUMBER	TE PART NO.

THIS DRAWING IS A CONTROLLED DOCUMENT.		DWN S SCHLEGEL 4/2/03	Tyco Electronics Corporation Harrisburg, PA 17105-3608			
DIMENSIONS: INCHES		CHK H WAKEEM 4/2/03	NAME			
TOLERANCES UNLESS OTHERWISE SPECIFIED:		APVD H WAKEEM 4/2/03	PRODUCT SPEC			
0 PLC ± -		APPLICATION SPEC				
1 PLC ± -		SIZE CAGE CODE DRAWING NO RESTRICTED TO				
2 PLC ± .01		A3 00779 C-1-1546160-0				
3 PLC ± .005		CUSTOMER DRAWING SCALE 1:1 SHEET 1 OF 1 REV G				
4 PLC ± -						
ANGLES ± 1°						
MATERIAL -						
FINISH -						