



Chipsmall Limited consists of a professional team with an average of over 10 year of expertise in the distribution of electronic components. Based in Hongkong, we have already established firm and mutual-benefit business relationships with customers from,Europe,America and south Asia,supplying obsolete and hard-to-find components to meet their specific needs.

With the principle of “Quality Parts,Customers Priority,Honest Operation,and Considerate Service”,our business mainly focus on the distribution of electronic components. Line cards we deal with include Microchip,ALPS,ROHM,Xilinx,Pulse,ON,Everlight and Freescale. Main products comprise IC,Modules,Potentiometer,IC Socket,Relay,Connector.Our parts cover such applications as commercial,industrial, and automotives areas.

We are looking forward to setting up business relationship with you and hope to provide you with the best service and solution. Let us make a better world for our industry!



Contact us

Tel: +86-755-8981 8866 Fax: +86-755-8427 6832

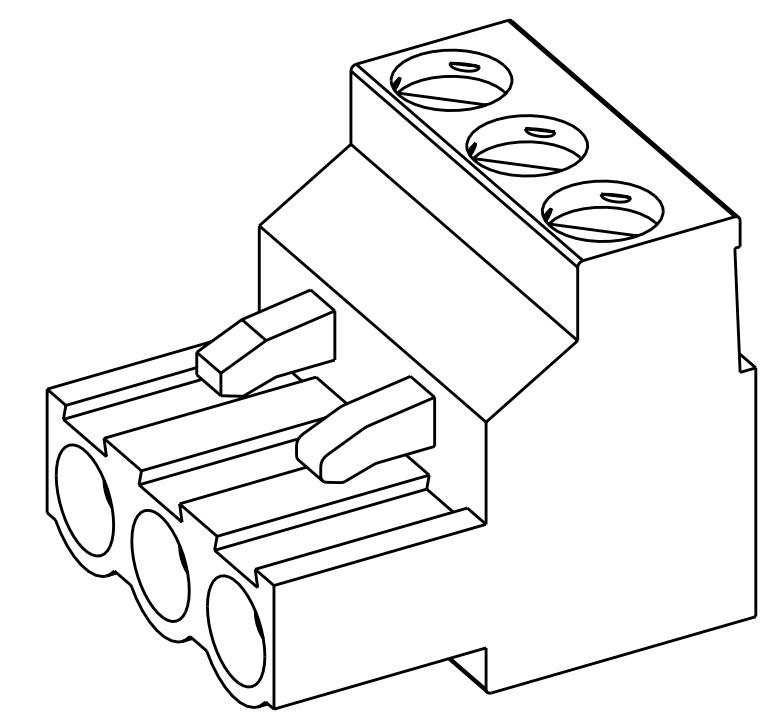
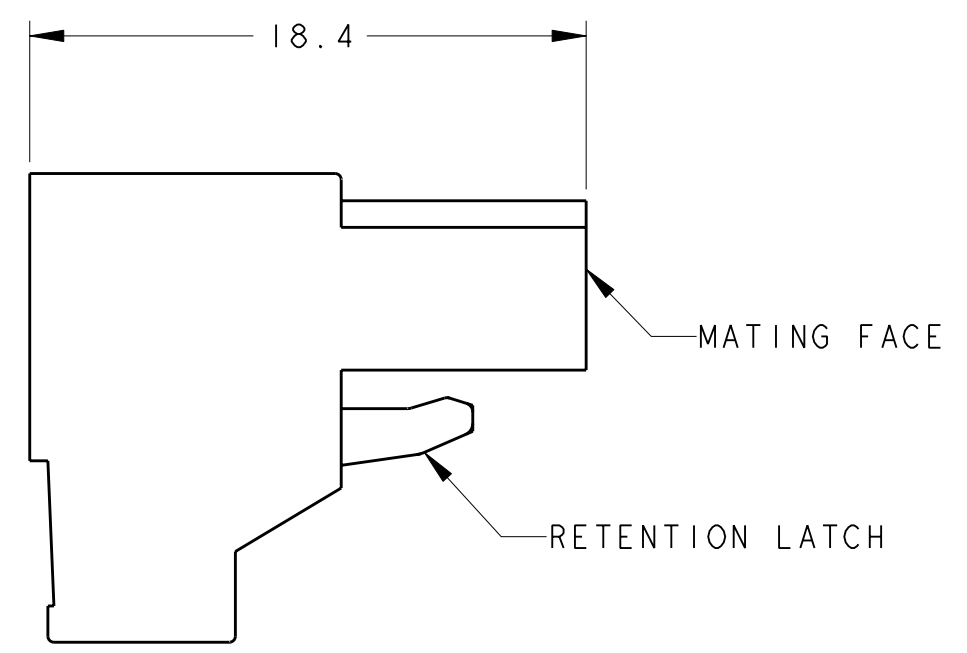
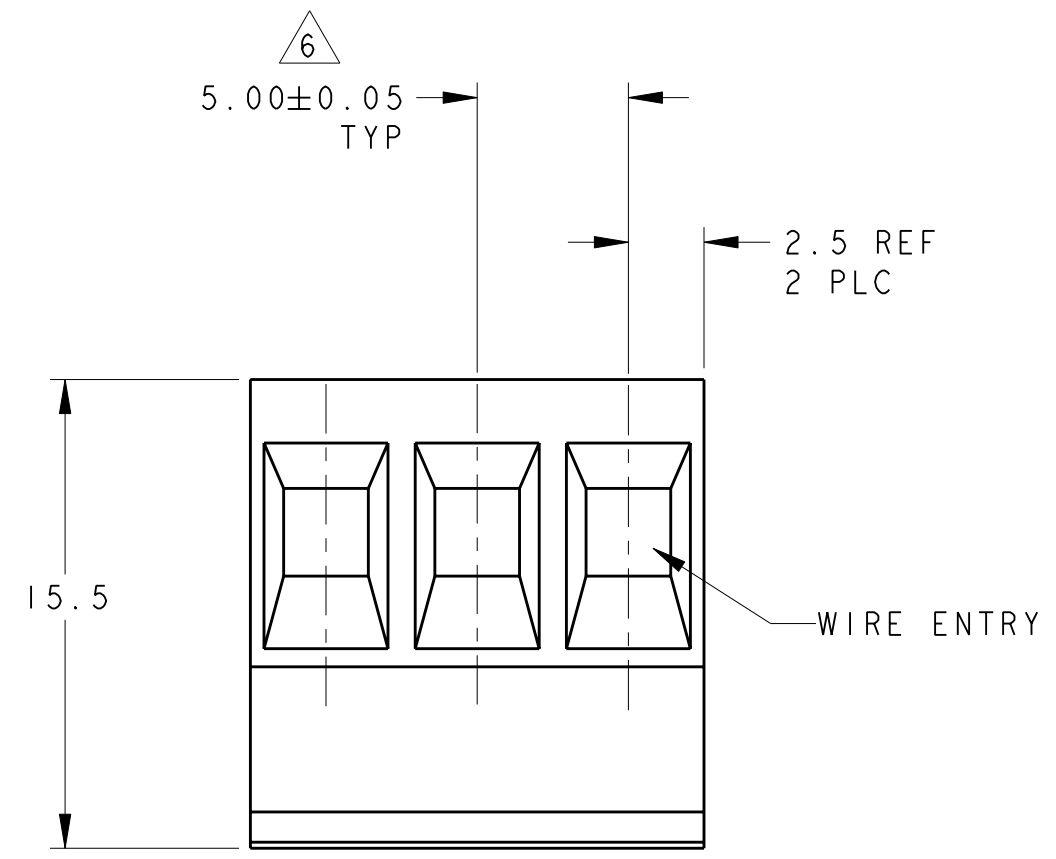
Email & Skype: info@chipsmall.com Web: www.chipsmall.com

Address: A1208, Overseas Decoration Building, #122 Zhenhua RD., Futian, Shenzhen, China

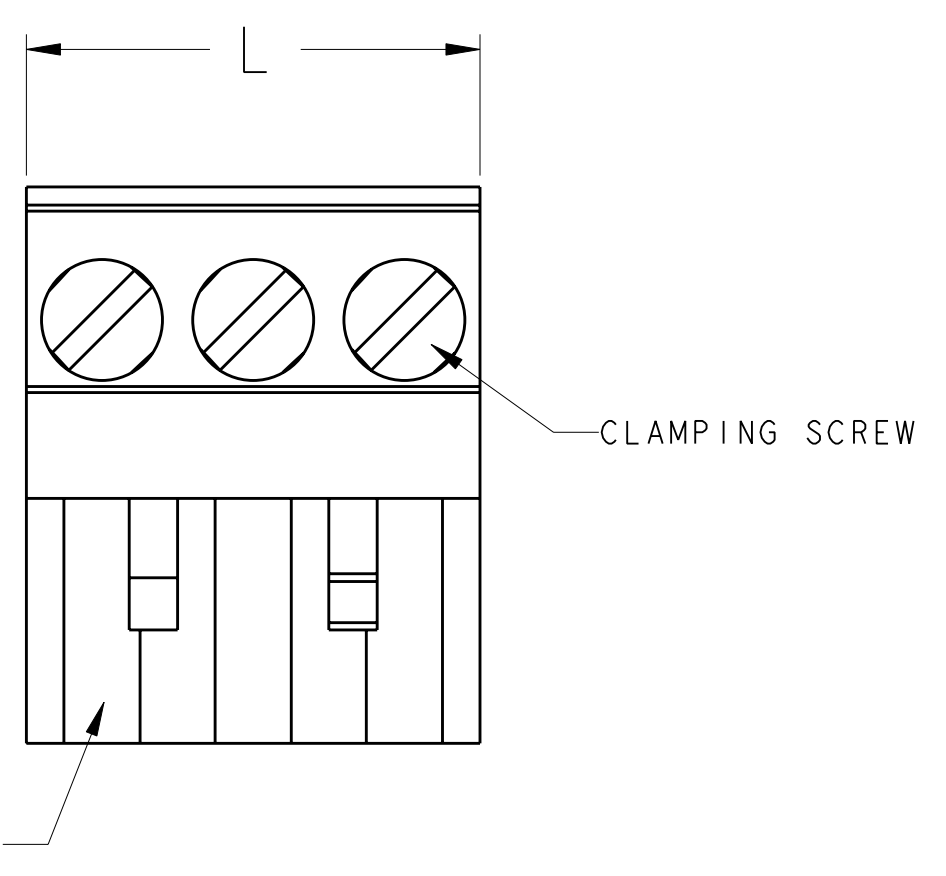


THIS DRAWING IS UNPUBLISHED. RELEASED FOR PUBLICATION 20
 © COPYRIGHT 20 BY TYCO ELECTRONICS CORPORATION. ALL RIGHTS RESERVED.

LOC		DIST		REVISIONS			
P	LTR	DESCRIPTION	DATE	DWN	APVD		
		A	RELEASED	-	-	-	
		A1	REVISED ECO-06-007741	31MAR2006	SW	CR	
		A2	REVISED PER ECO-07-014363	20JUN2007	SS	CR	



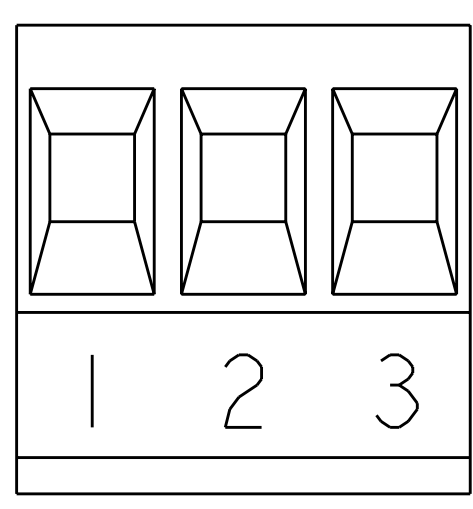
1546208-3 AS SHOWN



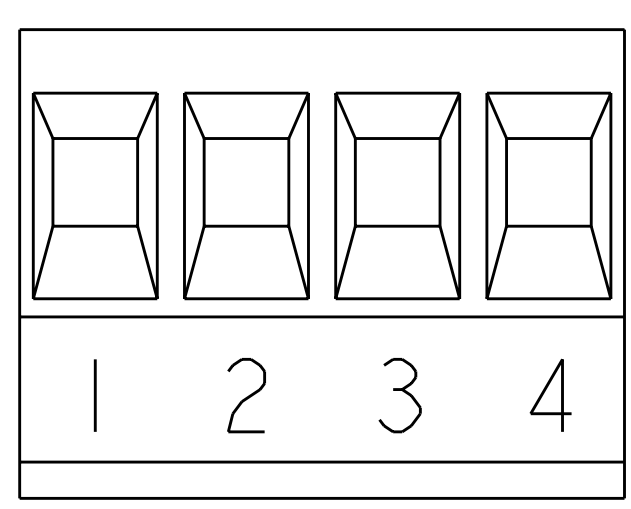
- 1 MATERIALS AND FINISH:
 HOUSING: PA 6-6, UL 94-V0, COLOR: GRAY.
 CLAMP: BRASS, NICKEL PLATED.
 DOUBLE SIDE CONTACT SPRING: PHOSPHOR BRONZE, TIN PLATED.
 CLAMPING SCREW: M3, BRASS, NICKEL PLATED.
2. END-TO-END STACKABLE WITHOUT LOSS OF CENTERLINE SPACING.
3. WIRE SIZE RANGE: 12-30 AWG
4. RECOGNIZED UNDER THE COMPONENT PROGRAM OF UNDERWRITERS LABORATORIES INC. FILE N° E60677.
5. IMQ CERTIFICATE WITH SURVEILLANCE IN CONFORMITY WITH IEC 998-1/998-2-1.
- 6 NOT CUMULATIVE TOLERANCE
- 7 PARTS TO BE PERMANENTLY MARKED WITH BLACK LETTERS.

MARKING	DIM L	NO OF POSN	PART NUMBER
SEE DETAIL P	20.0	4	2-1546208-8
SEE DETAIL N	20.0	4	2-1546208-7
SEE DETAIL M	15.0	3	2-1546208-6
	125.0	25	2-1546208-5
	120.0	24	2-1546208-4
	115.0	23	2-1546208-3
	110.0	22	2-1546208-2
	105.0	21	2-1546208-1
	100.0	20	2-1546208-0
	95.0	19	1-1546208-9
	90.0	18	1-1546208-8
	85.0	17	1-1546208-7
	80.0	16	1-1546208-6
	75.0	15	1-1546208-5
	70.0	14	1-1546208-4
	65.0	13	1-1546208-3
	60.0	12	1-1546208-2
	55.0	11	1-1546208-1
	50.0	10	1-1546208-0
	45.0	9	1546208-9
	40.0	8	1546208-8
	35.0	7	1546208-7
	30.0	6	1546208-6
	25.0	5	1546208-5
	20.0	4	1546208-4
	15.0	3	1546208-3
	10.0	2	1546208-2

POLARIZATION KEY SLOT



DETAIL M



DETAIL N

THIS DRAWING IS A CONTROLLED DOCUMENT FOR TYCO ELECTRONICS CORPORATION. IT IS SUBJECT TO CHANGE AND THE CONTROLLING ENGINEERING ORGANIZATION SHOULD BE CONTACTED FOR THE LATEST REVISION.		DWN S. WELDON 27FEB2004	Tyco Electronics Harrisburg, PA 17105-3608	
DIMENSIONS: mm		CHK C. RICHARD 27FEB2004	NAME TERMINAL BLOCK, PLUG, STACKING, 5.00mm PITCH	
TOLERANCES UNLESS OTHERWISE SPECIFIED: 0 PLC ±- 1 PLC ±0.2 2 PLC ±- 3 PLC ±- 4 PLC ±- ANGLES ±- FINISH		APVD C. RICHARD 27FEB2004	RESTRICTED TO	
MATERIAL		PRODUCT SPEC	SIZE A2	CAGE CODE 00779
		APPLICATION SPEC	DRAWING NO 1546208	SCALE 5:1
		WEIGHT	SHEET 1 OF 2	
		CUSTOMER DRAWING	REV A2	

4

3

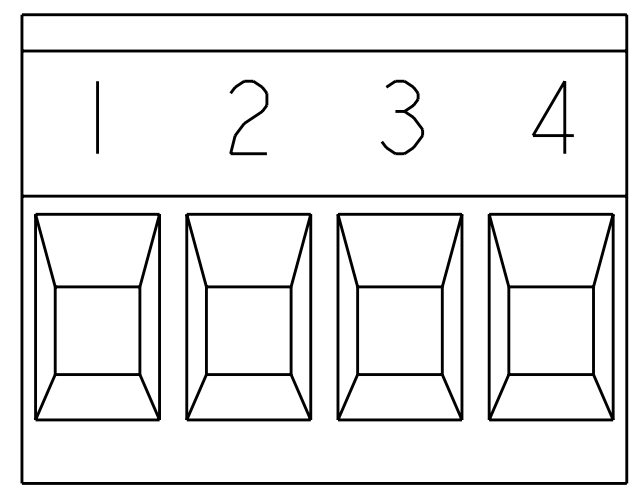
2

1


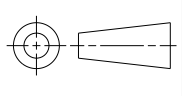
THIS DRAWING IS UNPUBLISHED. RELEASED FOR PUBLICATION 20

© COPYRIGHT 20 BY TYCO ELECTRONICS CORPORATION. ALL RIGHTS RESERVED.

LOC	DIST	REVISIONS			
P	LTR	DESCRIPTION	DATE	DWN	APVD
		SEE SHEET 1	-	-	-




DETAIL P

<small>THIS DRAWING IS A CONTROLLED DOCUMENT FOR TYCO ELECTRONICS CORPORATION IT IS SUBJECT TO CHANGE AND THE CONTROLLING ENGINEERING ORGANIZATION SHOULD BE CONTACTED FOR THE LATEST REVISION.</small>		DWN <u>S. WELDON</u> 27FEB2004 CHK <u>C. RICHARD</u> 27FEB2004 APVD <u>C. RICHARD</u> 27FEB2004	 Tyco Electronics Harrisburg, PA 17105-3608
DIMENSIONS: mm	TOLERANCES UNLESS OTHERWISE SPECIFIED: 0 PLC ±- 1 PLC ±0.2 2 PLC ±- 3 PLC ±- 4 PLC ±- ANGLES ±- FINISH -	PRODUCT SPEC - APPLICATION SPEC - WEIGHT -	NAME TERMINAL BLOCK, PLUG, STACKING, 5.00mm PITCH
MATERIAL -		SIZE A2 CAGE CODE 00779 DRAWING NO 1546208 RESTRICTED TO -	SCALE 4:1 SHEET 2 OF 2 REV A2
CUSTOMER DRAWING			