



Chipsmall Limited consists of a professional team with an average of over 10 year of expertise in the distribution of electronic components. Based in Hongkong, we have already established firm and mutual-benefit business relationships with customers from,Europe,America and south Asia,supplying obsolete and hard-to-find components to meet their specific needs.

With the principle of “Quality Parts,Customers Priority,Honest Operation,and Considerate Service”,our business mainly focus on the distribution of electronic components. Line cards we deal with include Microchip,ALPS,ROHM,Xilinx,Pulse,ON,Everlight and Freescale. Main products comprise IC,Modules,Potentiometer,IC Socket,Relay,Connector.Our parts cover such applications as commercial,industrial, and automotives areas.

We are looking forward to setting up business relationship with you and hope to provide you with the best service and solution. Let us make a better world for our industry!



Contact us

Tel: +86-755-8981 8866 Fax: +86-755-8427 6832

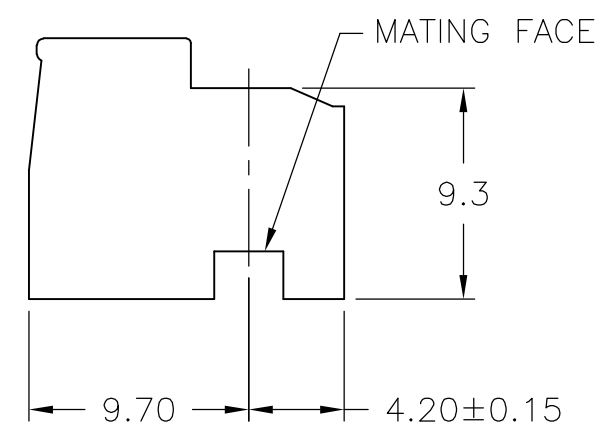
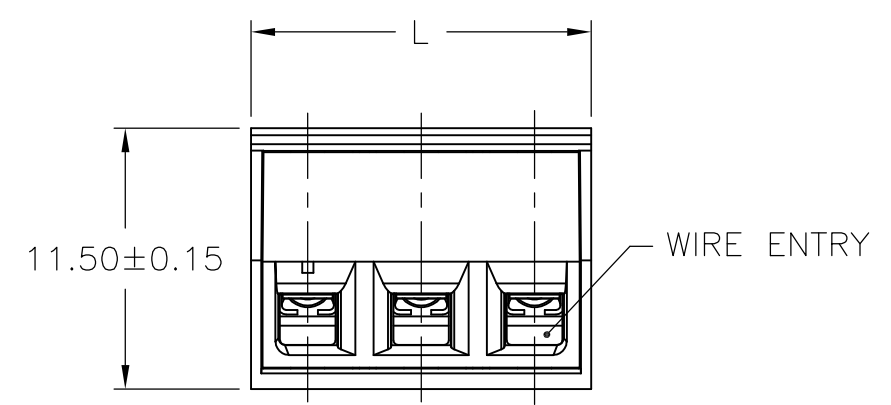
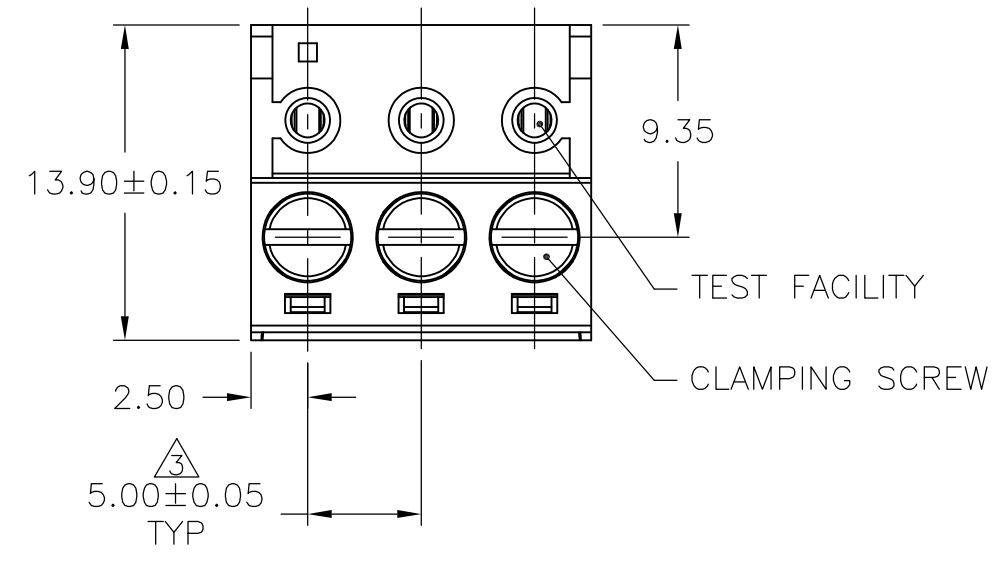
Email & Skype: info@chipsmall.com Web: www.chipsmall.com

Address: A1208, Overseas Decoration Building, #122 Zhenhua RD., Futian, Shenzhen, China



THIS DRAWING IS UNPUBLISHED. RELEASED FOR PUBLICATION
 © COPYRIGHT BY TYCO ELECTRONICS CORPORATION. ALL INTERNATIONAL RIGHTS RESERVED.

LOC	DIST	REVISIONS					
		P	LTR	DESCRIPTION	DATE	DWN	APVD
—	—		A1	REVISED PER ECO-09-017426	8/26/09	SS	CR



- 1. MATERIALS AND FINISH
 HOUSING : PA 6.6, UL 94-V0, COLOR GRAY.
 CLAMP : BRASS, NICKEL PLATED
 TERMINAL : BRASS, TIN PLATED
 CONTACT SPRING : PHOSPHOR BRONZE, TIN PLATED
 CLAMPING SCREW : M3, BRASS, NICKEL PLATED
- 2. WIRE SIZE RANGE: 14 - 30 AWG
- 3. NOT CUMULATIVE TOLERANCE
- 4. END TO END STACKABLE W/O LOSS OF CENTERLINE SPACING.

DIM "A"	NO OF POS	PART NUMBER
125.0	25	2-1546226-5
120.0	24	2-1546226-4
115.0	23	2-1546226-3
110.0	22	2-1546226-2
105.0	21	2-1546226-1
100.0	20	2-1546226-0
95.0	19	1-1546226-9
90.0	18	1-1546226-8
85.0	17	1-1546226-7
80.0	16	1-1546226-6
75.0	15	1-1546226-5
70.0	14	1-1546226-4
65.0	13	1-1546226-3
60.0	12	1-1546226-2
55.0	11	1-1546226-1
50.0	10	1-1546226-0
45.0	9	1546226-9
40.0	8	1546226-8
35.0	7	1546226-7
30.0	6	1546226-6
25.0	5	1546226-5
20.0	4	1546226-4
15.0	3	1546226-3
10.0	2	1546226-2
DIM "A"	NO OF POS	PART NUMBER

THIS DRAWING IS A CONTROLLED DOCUMENT.		DWN S SCHLEGEL 26AUG2009	Tyco Electronics Corporation Harrisburg, PA 17105-3608	
DIMENSIONS: mm		CHK C RICHARD 8/26/09	NAME	
TOLERANCES UNLESS OTHERWISE SPECIFIED:		APVD C RICHARD 8/26/09	TERMINAL BLOCK PLUG 90/270 DEGREE, 5.0mm PITCH	
0 PLC ± -		PRODUCT SPEC	SIZE CAGE CODE DRAWING NO RESTRICTED TO	
1 PLC ± 0.3		APPLICATION SPEC	A3 00779 C-1546226	
2 PLC ± 0.25		WEIGHT -	SCALE 3:1 SHEET 1 OF 1 REV A1	
3 PLC ± -		CUSTOMER DRAWING		
4 PLC ± -				
ANGLES ± 1°				
MATERIAL -				
FINISH -				