



Chipsmall Limited consists of a professional team with an average of over 10 year of expertise in the distribution of electronic components. Based in Hongkong, we have already established firm and mutual-benefit business relationships with customers from,Europe,America and south Asia,supplying obsolete and hard-to-find components to meet their specific needs.

With the principle of “Quality Parts,Customers Priority,Honest Operation,and Considerate Service”,our business mainly focus on the distribution of electronic components. Line cards we deal with include Microchip,ALPS,ROHM,Xilinx,Pulse,ON,Everlight and Freescale. Main products comprise IC,Modules,Potentiometer,IC Socket,Relay,Connector.Our parts cover such applications as commercial,industrial, and automotives areas.

We are looking forward to setting up business relationship with you and hope to provide you with the best service and solution. Let us make a better world for our industry!



## Contact us

Tel: +86-755-8981 8866 Fax: +86-755-8427 6832

Email & Skype: info@chipsmall.com Web: www.chipsmall.com

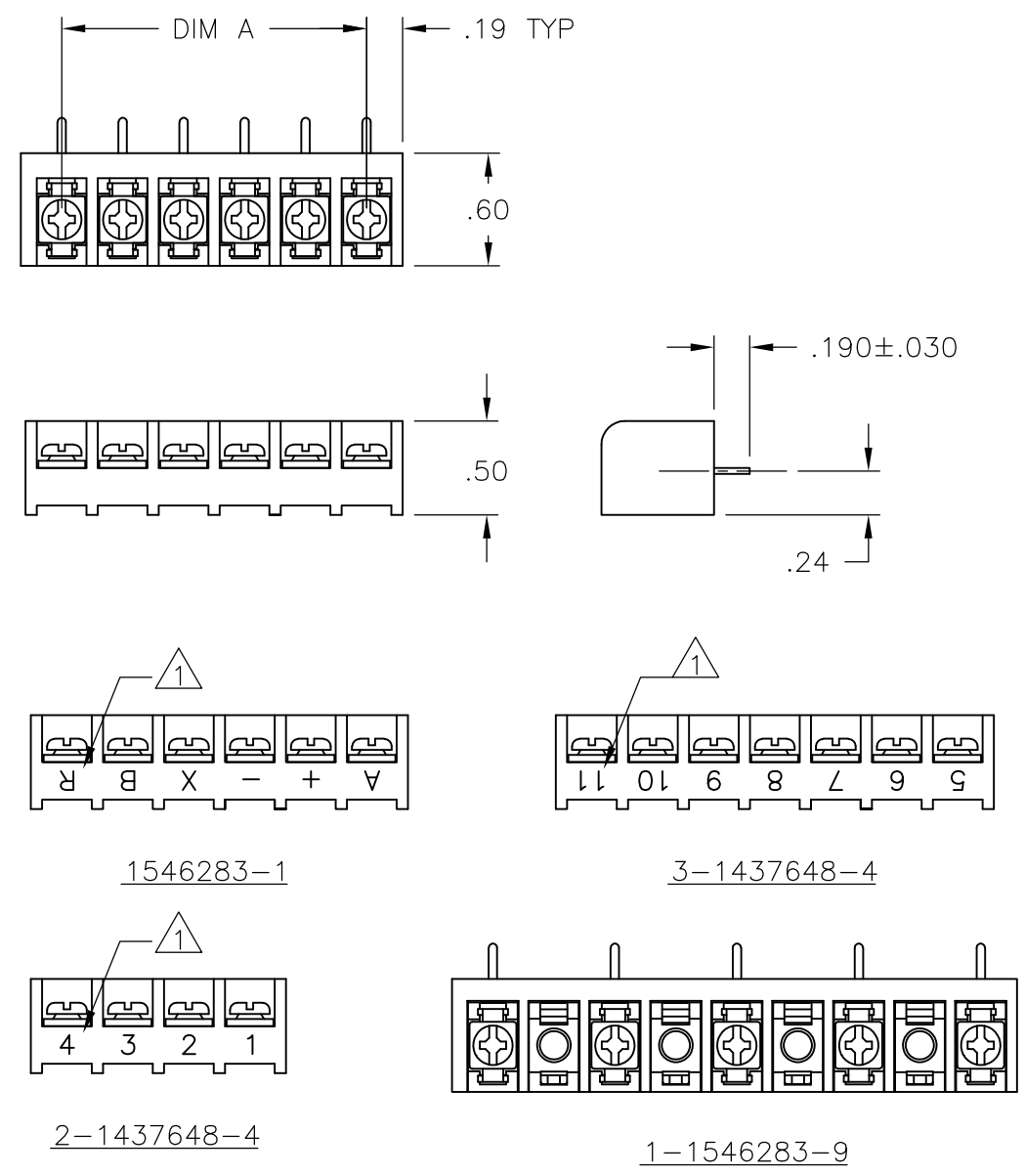
Address: A1208, Overseas Decoration Building, #122 Zhenhua RD., Futian, Shenzhen, China



THIS DRAWING IS UNPUBLISHED. RELEASED FOR PUBLICATION  
 © COPYRIGHT - By - ALL RIGHTS RESERVED.

LOC	DIST	REVISIONS					
FT	0	P	LTR	DESCRIPTION	DATE	DWN	APVD
			C1	REVISED PER ECO-11-004917	11MAR11	RK	HMR

- ① MARKED USING WHITE INK AS SHOWN.
- ② SCREWS BOTTOMED.
- ③ OBSOLETE PARTS: OBSOLETE CIS STREAMLINING PER D.RENAUD/D.SINISI



	8.775	28	4PCR-28-006	1546279-1	
	8.450	27	4PCR-27-006	1-1546283-6	
	8.125	26	4PCR-26-006	1-1546283-5	
	7.800	25	4PCR-25-006	1-1546283-4	
	7.475	24	4PCR-24-006	9-1546119-1	
	7.150	23	4PCR-23-006	4-1437648-9	
	6.825	22	4PCR-22-006	1-1546283-3	
	6.500	21	4PCR-21-006	1-1546283-2	
	6.175	20	4PCR-20-006	1-1546283-1	
	5.850	19	4PCR-19-006	1-1546283-0	
	5.525	18	4PCR-18-006	1546283-9	
	5.200	17	4PCR-17-006	4-1437648-8	
	4.875	16	4PCR-16-006	1546283-8	
	4.550	15	4PCR-15-006	1546283-7	
	4.225	14	4PCR-14-006	1546283-6	
	3.900	13	4PCR-13-006	1546283-5	
	3.575	12	4PCR-12-006	9-1546119-0	
	3.250	11	4PCR-11-006	1546283-4	
	2.925	10	4PCR-10-006	8-1546119-9	
	2.600	9	4PCR-05-526	1-1546283-9	
②③	OBSOLETE	2.600	9	4PCR-09-518	1546283-3
	2.600	9	4PCR-09-006	4-1437648-1	
	2.275	8	4PCR-08-006	3-1437648-8	
③	OBSOLETE	1.950	7	4PCR-07-444	3-1437648-4
	1.950	7	4PCR-07-006	8-1546119-8	
②③	OBSOLETE	1.625	6	4PCR-06-517	1546283-2
	1.625	6	4PCR-06-519	1546283-1	
	1.625	6	4PCR-06-006	3-1437648-1	
	1.300	5	4PCR-05-006	2-1437648-8	
③	OBSOLETE	.975	4	4PCR-04-468	2-1437648-4
	.975	4	4PCR-04-006	2-1437648-3	
	.650	3	4PCR-03-006	2-1437648-0	
	.325	2	4PCR-02-006	1-1437648-8	
	DIM A REF	NO OF POS	CATALOG NUMBER	PART NO.	

THIS DRAWING IS A CONTROLLED DOCUMENT.		DWN	S SCHLEGEL	9/26/03	<b>STE</b> TE Connectivity											
DIMENSIONS: INCHES		CHK	S. YODER	9/26/03												
TOLERANCES UNLESS OTHERWISE SPECIFIED:		APVD	S. YODER	9/26/03												
<table border="0"> <tr><td>0 PLC</td><td>± -</td></tr> <tr><td>1 PLC</td><td>± -</td></tr> <tr><td>2 PLC</td><td>± .01</td></tr> <tr><td>3 PLC</td><td>± .005</td></tr> <tr><td>4 PLC</td><td>± -</td></tr> <tr><td>ANGLES</td><td>± 1°</td></tr> </table>		0 PLC	± -	1 PLC		± -	2 PLC	± .01	3 PLC	± .005	4 PLC	± -	ANGLES	± 1°	NAME	
0 PLC	± -															
1 PLC	± -															
2 PLC	± .01															
3 PLC	± .005															
4 PLC	± -															
ANGLES	± 1°															
MATERIAL		PRODUCT SPEC		SIZE	CAGE CODE	DRAWING NO	RESTRICTED TO									
-		-		A3	00779	C-2-1437648-0	-									
FINISH		APPLICATION SPEC		CUSTOMER DRAWING		SCALE	SHEET									
-		-		-		NTS	1 OF 2									
						REV	C1									

4

3

2


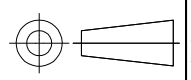
1

THIS DRAWING IS UNPUBLISHED.      RELEASED FOR PUBLICATION      - , - .

© COPYRIGHT - By -      ALL RIGHTS RESERVED.

LOC	DIST	REVISIONS					
FT	0	P	LTR	DESCRIPTION	DATE	DWN	APVD
		-		SEE SHEET 1	-	-	-

9.425	30	4PCR-30-006	1-1546283-8
9.100	29	4PCR-29-006	1-1546283-7
DIM A REF	NO OF POS	CATALOG NUMBER	PART NO.

THIS DRAWING IS A CONTROLLED DOCUMENT.		DWN	S. SCHLEGEL	9/26/03	 <b>TE Connectivity</b>		
DIMENSIONS: INCHES		CHK	S. YODER	9/26/03			
		APVD	S. YODER	9/26/03			
TOLERANCES UNLESS OTHERWISE SPECIFIED:		PRODUCT SPEC		NAME			
0 PLC ± -		-		4PCR-XX-006 ASSEMBLY			
1 PLC ± -		APPLICATION SPEC		SIZE			
2 PLC ± .01		-		CAGE CODE		DRAWING NO	RESTRICTED TO
3 PLC ± .005		-		A3 00779		C-2-1437648-0	-
4 PLC ± -		WEIGHT		CUSTOMER DRAWING		SCALE	SHEET
ANGLES ± 1°		-		-		NTS	2 OF 2
MATERIAL	FINISH	-		-		REV	C1
-	-	-		-			