



Chipsmall Limited consists of a professional team with an average of over 10 year of expertise in the distribution of electronic components. Based in Hongkong, we have already established firm and mutual-benefit business relationships with customers from,Europe,America and south Asia,supplying obsolete and hard-to-find components to meet their specific needs.

With the principle of “Quality Parts,Customers Priority,Honest Operation,and Considerate Service”,our business mainly focus on the distribution of electronic components. Line cards we deal with include Microchip,ALPS,ROHM,Xilinx,Pulse,ON,Everlight and Freescale. Main products comprise IC,Modules,Potentiometer,IC Socket,Relay,Connector.Our parts cover such applications as commercial,industrial, and automotives areas.

We are looking forward to setting up business relationship with you and hope to provide you with the best service and solution. Let us make a better world for our industry!



Contact us

Tel: +86-755-8981 8866 Fax: +86-755-8427 6832

Email & Skype: info@chipsmall.com Web: www.chipsmall.com

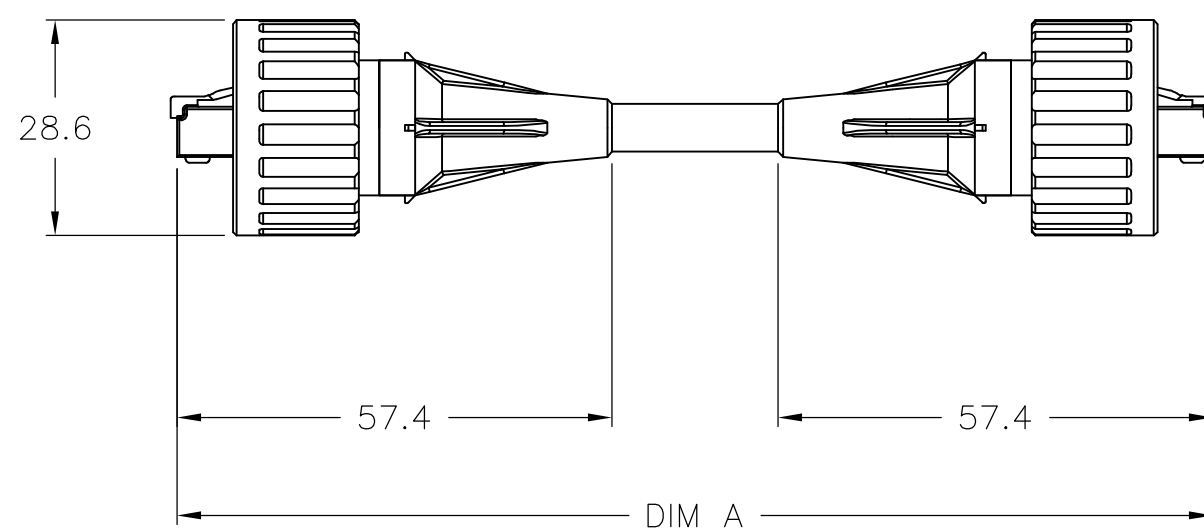
Address: A1208, Overseas Decoration Building, #122 Zhenhua RD., Futian, Shenzhen, China



THIS DRAWING IS UNPUBLISHED. RELEASED FOR PUBLICATION
 © COPYRIGHT - BY TYCO ELECTRONICS CORPORATION. ALL RIGHTS RESERVED.

LOC	DIST	REVISIONS			
P	LTR	DESCRIPTION	DATE	DWN	APVD
FT	0				
	D1	REVISED PER ECO-07-018401	8/21/07	SS	MS

△ MATERIALS:
 INSERT: ACRYLONITRILE-BUTADIENE-STYRENE, (ABS)
 OVERMOLD: PVC



PRELIMINARY	SHIELDED/STRANDED	+76mm/-0.0	3 METERS	1-1546453-3
	STRANDED	+76mm/-0.0	5 METERS	1-1546453-2
	STRANDED	+38mm/-0.0	2 METERS	1-1546453-1
SUPERSEDED	-	+76mm/-0.0	5 METERS	1546453-2
SUPERSEDED	-	+38mm/-0.0	2 METERS	1546453-1
	CABLE	TOLERANCE	DIM A	PART NO.

THIS DRAWING IS A CONTROLLED DOCUMENT.		DWN S SCHLEGEL 28MAY2003	Tyco Electronics Corporation Harrisburg, PA 17105-3608	
DIMENSIONS: mm		CHK H WAKEEM 5/28/03	NAME INDUSTRIAL ETHERNET CORDSET, STRANDED, DOUBLE ENDED INDUSTRIAL	
TOLERANCES UNLESS OTHERWISE SPECIFIED:		APVD H WAKEEM 5/28/03	PRODUCT SPEC -	
0 PLC ± -		APPLICATION SPEC -		
1 PLC ± .5		SIZE	CAGE CODE	DRAWING NO
2 PLC ± .13		A3 00779		C-1546453
3 PLC ± -		RESTRICTED TO -		
4 PLC ± -		CUSTOMER DRAWING		
ANGLES ± 2'		SCALE	SHEET	REV
MATERIAL - △ 1		NTS		1 OF 1 D1
FINISH -				