



Chipsmall Limited consists of a professional team with an average of over 10 year of expertise in the distribution of electronic components. Based in Hongkong, we have already established firm and mutual-benefit business relationships with customers from,Europe,America and south Asia,supplying obsolete and hard-to-find components to meet their specific needs.

With the principle of “Quality Parts,Customers Priority,Honest Operation,and Considerate Service”,our business mainly focus on the distribution of electronic components. Line cards we deal with include Microchip,ALPS,ROHM,Xilinx,Pulse,ON,Everlight and Freescale. Main products comprise IC,Modules,Potentiometer,IC Socket,Relay,Connector.Our parts cover such applications as commercial,industrial, and automotives areas.

We are looking forward to setting up business relationship with you and hope to provide you with the best service and solution. Let us make a better world for our industry!



Contact us

Tel: +86-755-8981 8866 Fax: +86-755-8427 6832

Email & Skype: info@chipsmall.com Web: www.chipsmall.com

Address: A1208, Overseas Decoration Building, #122 Zhenhua RD., Futian, Shenzhen, China



THIS DRAWING IS UNPUBLISHED.

RELEASED FOR PUBLICATION

ALL RIGHTS RESERVED.

LOC FT DIST 0

REVISIONS

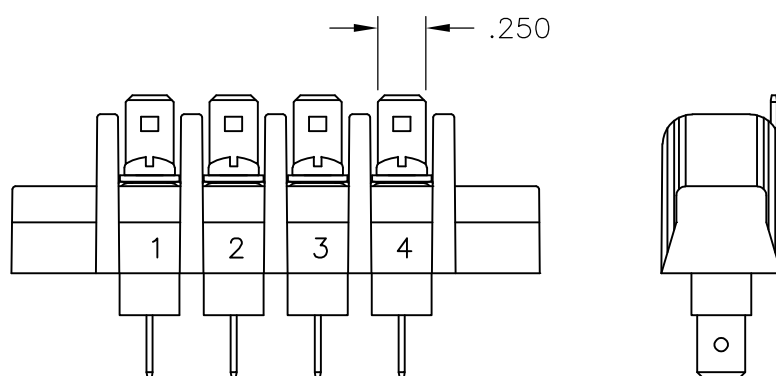
P	LTR	DESCRIPTION	DATE	DWN	APVD
	C	REVISED PER ECO-11-023039	21FEB12	KH	MS

MATERIAL:
 HOUSING: THERMOPLASTIC, UL94V-2, BLACK.
 TERMINALS: BRASS, BRIGHT TIN PLATE.
 SCREWS: 6-32, STEEL, PLATED .0002 MIN ZINC W/
 CLEAR CHROMATE COATING. UNLESS OTHERWISE
 SPECIFIED.

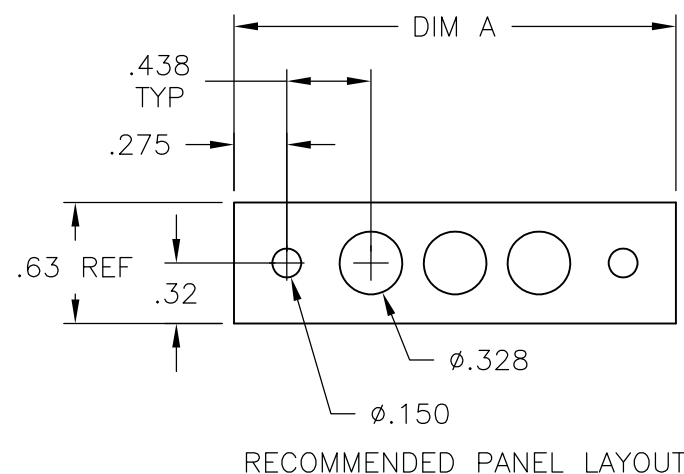
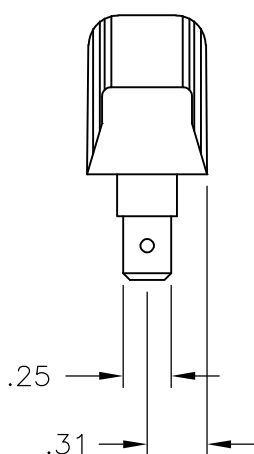
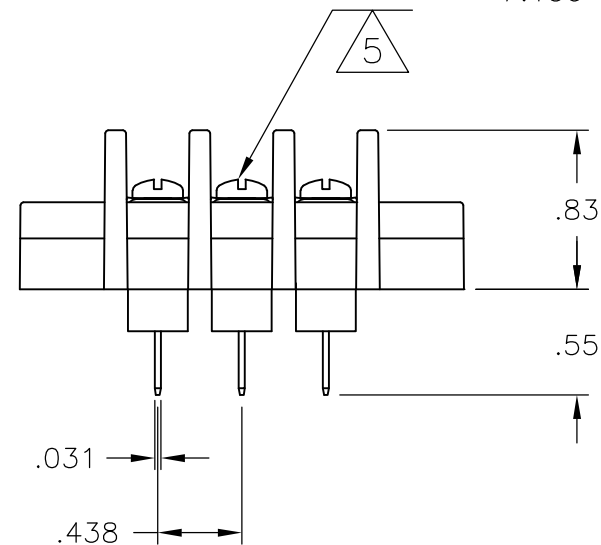
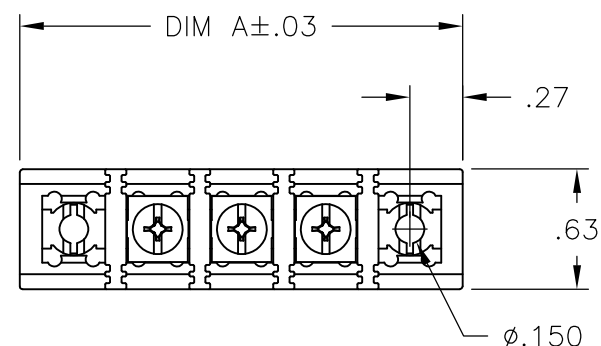
ELECTRICAL:
 MAXIMUM CURRENT: 20A.
 OPERATING VOLTAGE: 600V.
 WIRE RANGE: 12-22 AWG.

ENVIRONMENTAL:
 OPERATING TEMP.: -60°C TO +105°C

- 1 SCREWS ARE STAINLESS STEEL.
- 2 PRELIMINARY PART NUMBER.
- 3 SCREWS: NICKEL PLATED BRASS BINDING HEAD.
- 4 OBSOLETE PARTS: OBSOLETE CIS STREAMLINING PER D.RENAUD/D.SINISI
- 5 ALL SCREWS BOTTOMED, TORQUE 2 TO 4 IN-LBS



2-1546977-6



RECOMMENDED PANEL LAYOUT

DIM A	NO. OF POS.	CATALOG NUMBER	PART NUMBER
9.750	20	SSB7TF200501	9-1437416-1
9.750	20	SSB7TG200501	2-1546977-0
9.312	19	SSB7TG190503	3-1546561-6
9.312	19	SSB7TG190501	1437417-3
8.875	18	SSB7TG180503	3-1546561-5
8.875	18	SSB7TG180501	1-1546977-8
8.437	17	SSB7TG170501	1-1546977-7
8.000	16	SSB7TG160501	1-1546977-6
7.562	15	SSB7TG150501	1-1546977-5
7.125	14	SSB7TF140501	9-1437416-0
7.125	14	SSB7TG140501	1-1546977-4
6.687	13	SSB7TG130501	1-1546977-3
6.250	12	SSB7TG120501	1-1546977-2
5.812	11	SSB7TG110501	1-1546977-1
5.375	10	SSB7TG100501	1437417-1
4.937	9	SSB7TG090501	1546977-9
4.500	8	SSB7TG080501	1546977-8
4.062	7	SSB7TG070501	1546977-7
3.625	6	SSB7TF060501	8-1437416-6
3.625	6	SSB7TG060501	1546977-6
3.187	5	SSB7TF050501	1-1546561-4
3.187	5	SSB7TG050501	1546977-5
2.750	4	SSB7TF040501	2-1546977-7
2.750	4	SSB7TF042511	2-1546977-6
2.750	4	SSB7TG040501	1546977-4
2.312	3	SSB7TG030501	1546977-3
1.875	2	SSB7TG020503	9-1437416-3
1.875	2	SSB7TG020501	1546561-8
1.437	1	SSB7TG010501	5-1437417-6

THIS DRAWING IS A CONTROLLED DOCUMENT.		DWN S SCHL GEL 6/3/04	STE TE Connectivity	
DIMENSIONS: INCHES		CHK S YODER 6/3/04		
TOLERANCES UNLESS OTHERWISE SPECIFIED:		APVD S YODER 6/3/04	NAME	
0 PLC ± -		PRODUCT SPEC	SSB7TGXX0501	
1 PLC ± -		APPLICATION SPEC	RESTRICTED TO	
2 PLC ± .02		WEIGHT -	SIZE A3	CAGE CODE C
3 PLC ± .010		CUSTOMER DRAWING	DRAWING NO C-8-1437416-6	SCALE NTS
4 PLC ± -			SHEET 1 OF 2	REV C
ANGLES ± 1°				
FINISH -				

4

3

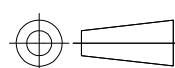
2

1

THIS DRAWING IS UNPUBLISHED. RELEASED FOR PUBLICATION - . - .
 © COPYRIGHT - By - ALL RIGHTS RESERVED.

LOC	DIST	REVISIONS					
FT	0	P	LTR	DESCRIPTION	DATE	DWN	APVD
		-		SEE SHEET 1	-	-	-

11.937	25	SSB7TG250501	2-1546977-5
11.500	24	SSB7TG240501	2-1546977-4
11.062	23	SSB7TG230501	2-1546977-3
$\triangle 2 \triangle 3$ 10.625	22	SSB7TG220504	2-1546977-8
10.625	22	SSB7TG220501	2-1546977-2
10.187	21	SSB7TG210501	2-1546977-1
DIM A	NO. OF POS.	CATALOG NUMBER	PART NUMBER

THIS DRAWING IS A CONTROLLED DOCUMENT.		DWN	S SCHL GEL	6/3/04	STE TE Connectivity			
DIMENSIONS: INCHES		CHK	S YODER	6/3/04				
TOLERANCES UNLESS OTHERWISE SPECIFIED:		APVD	S YODER	6/3/04	NAME			
		PRODUCT SPEC		SSB7TGXX0501				
0 PLC ± - 1 PLC ± - 2 PLC ± .02 3 PLC ± .010 4 PLC ± - ANGLES ± 1°		APPLICATION SPEC		RESTRICTED TO				
MATERIAL	FINISH	WEIGHT	-		SIZE	CAGE CODE	DRAWING NO	RESTRICTED TO
-	-	-	-		A3	00779	C-8-1437416-6	-
CUSTOMER DRAWING					SCALE	NTS	SHEET	2 OF 2
							REV	C