



Chipsmall Limited consists of a professional team with an average of over 10 year of expertise in the distribution of electronic components. Based in Hongkong, we have already established firm and mutual-benefit business relationships with customers from,Europe,America and south Asia,supplying obsolete and hard-to-find components to meet their specific needs.

With the principle of "Quality Parts,Customers Priority,Honest Operation,and Considerate Service",our business mainly focus on the distribution of electronic components. Line cards we deal with include Microchip,ALPS,ROHM,Xilinx,Pulse,ON,Everlight and Freescale. Main products comprise IC,Modules,Potentiometer,IC Socket,Relay,Connector.Our parts cover such applications as commercial,industrial, and automotives areas.

We are looking forward to setting up business relationship with you and hope to provide you with the best service and solution. Let us make a better world for our industry!



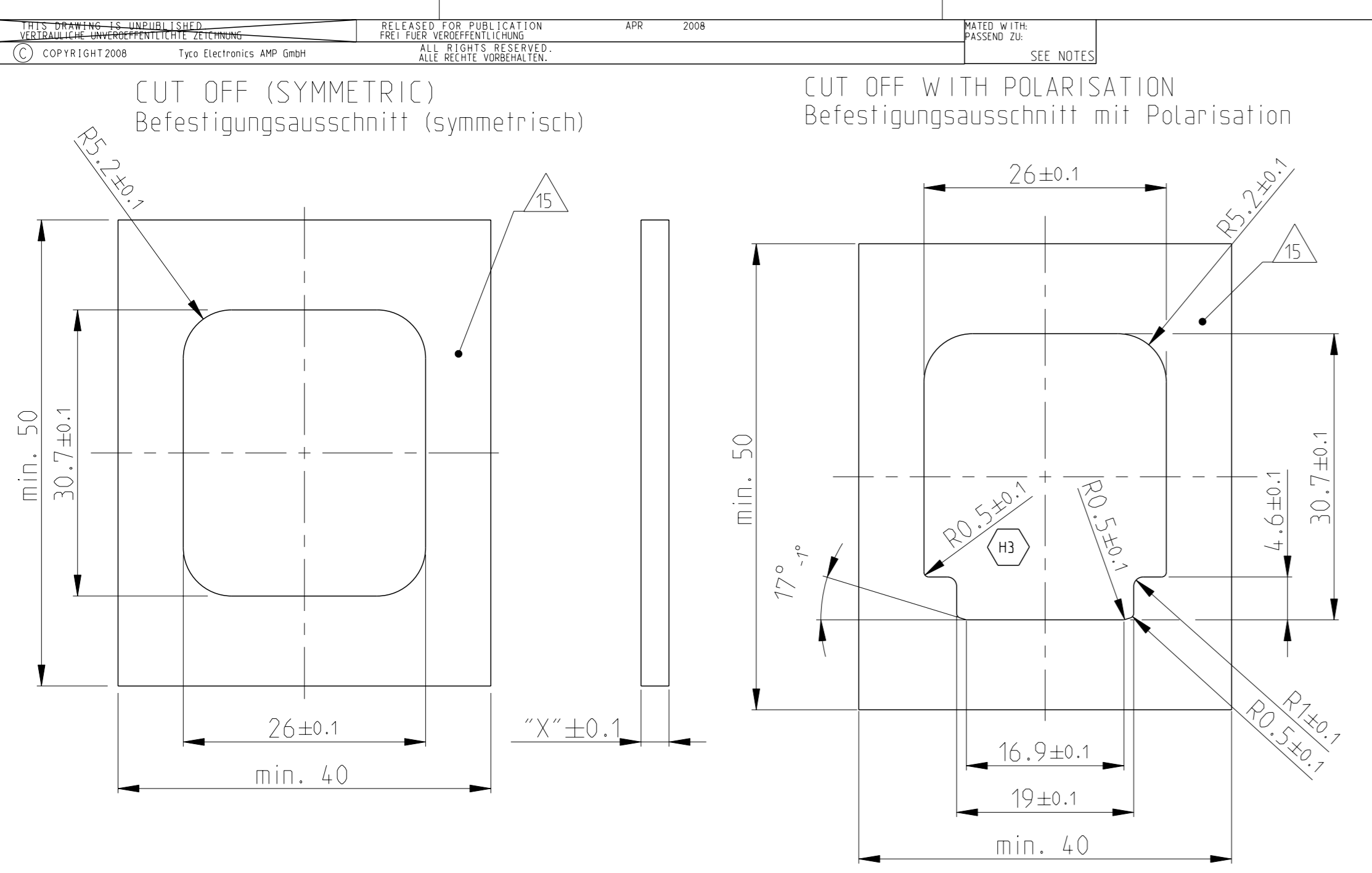
Contact us

Tel: +86-755-8981 8866 Fax: +86-755-8427 6832

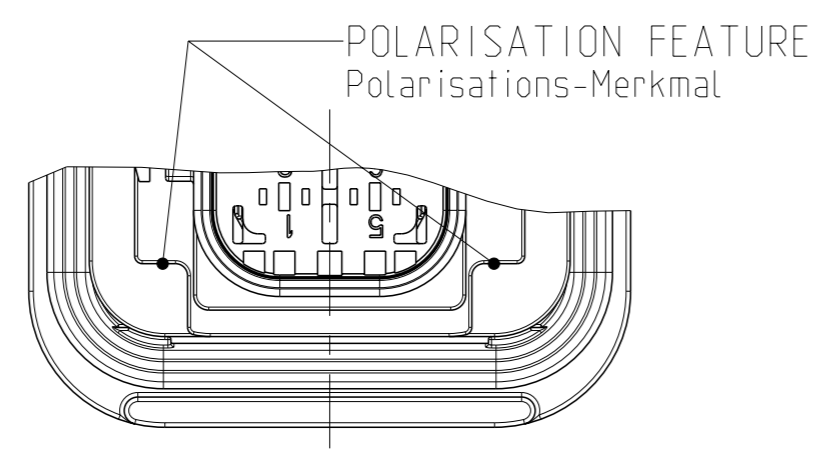
Email & Skype: info@chipsmall.com Web: www.chipsmall.com

Address: A1208, Overseas Decoration Building, #122 Zhenhua RD., Futian, Shenzhen, China

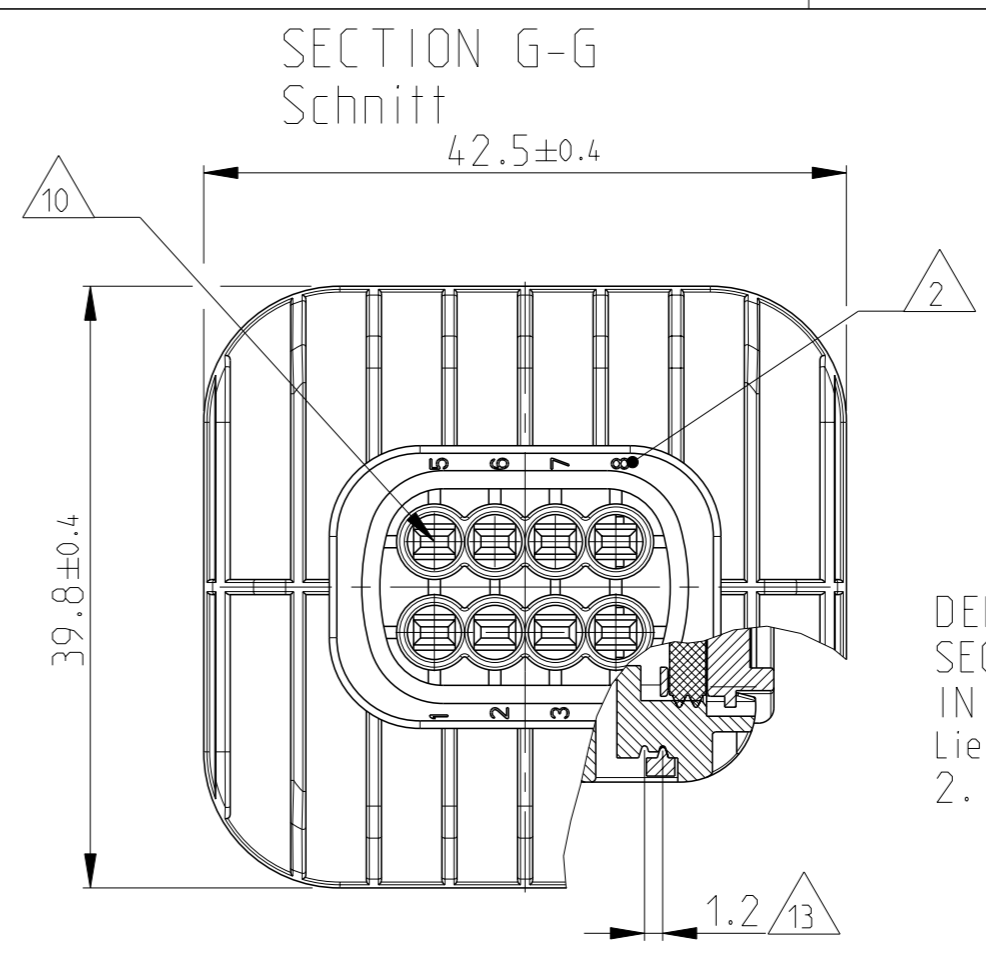
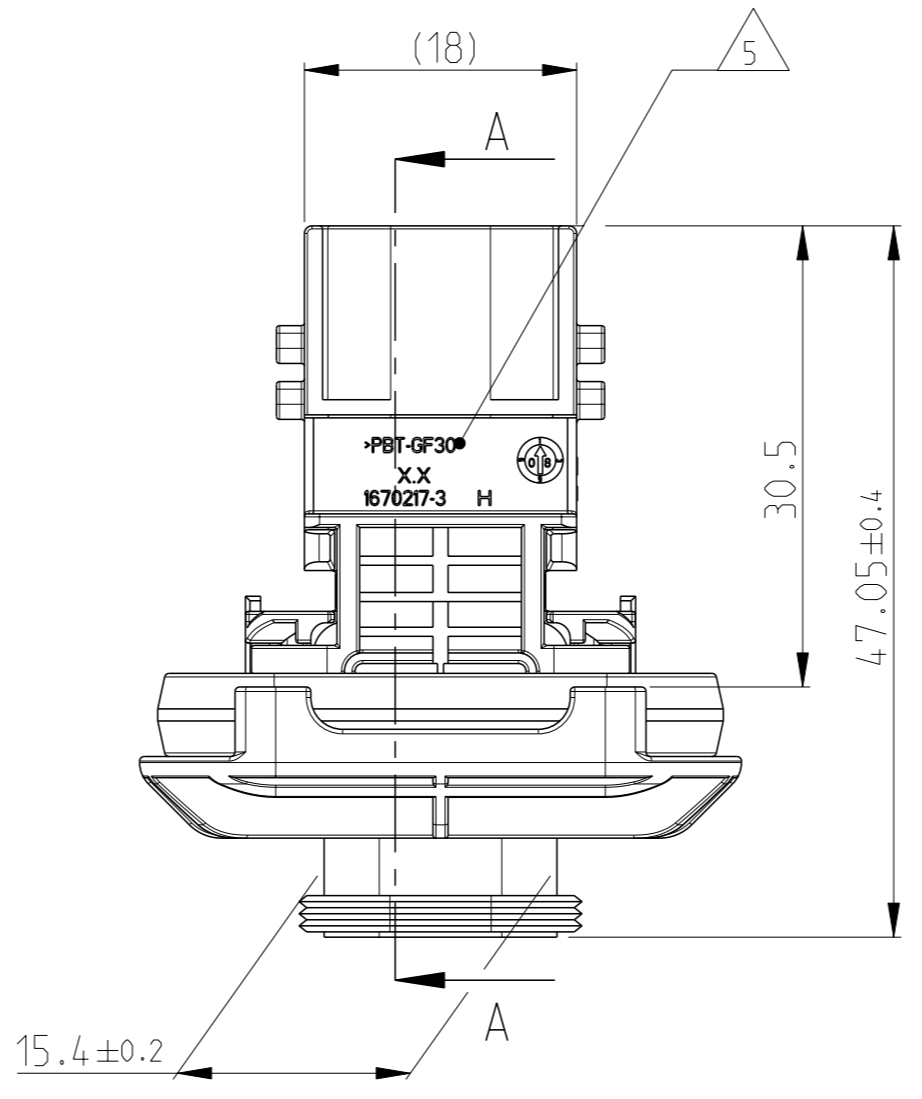




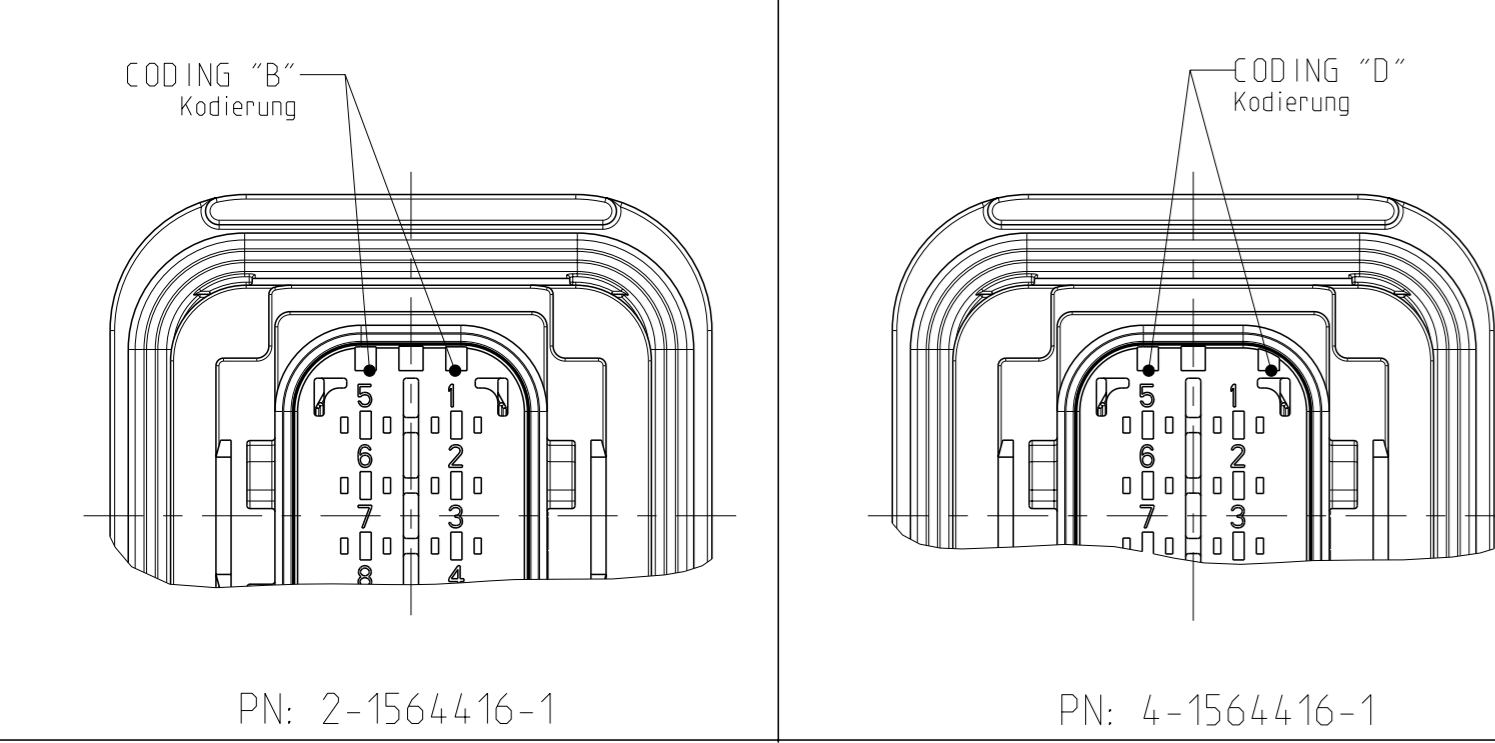
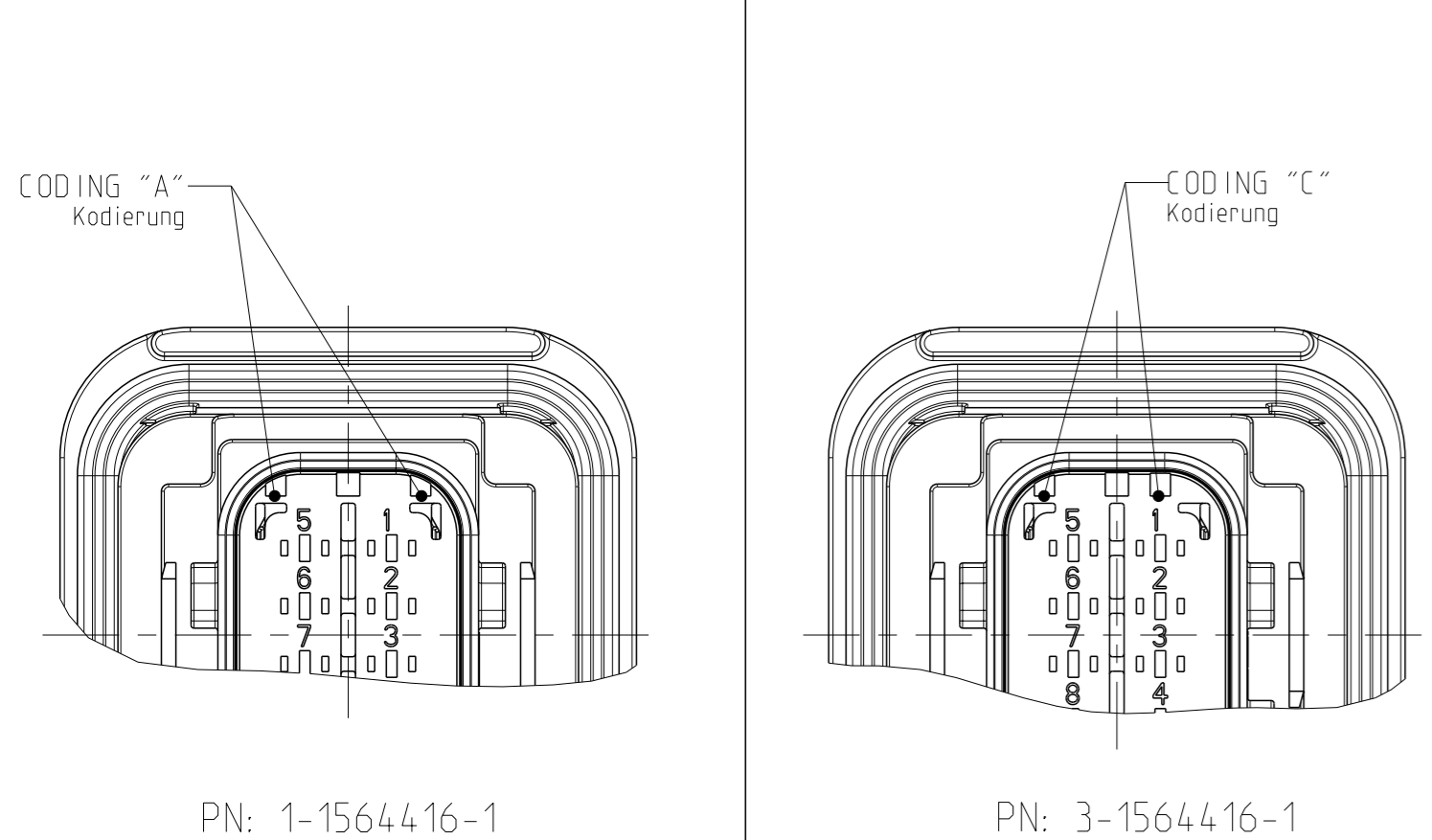
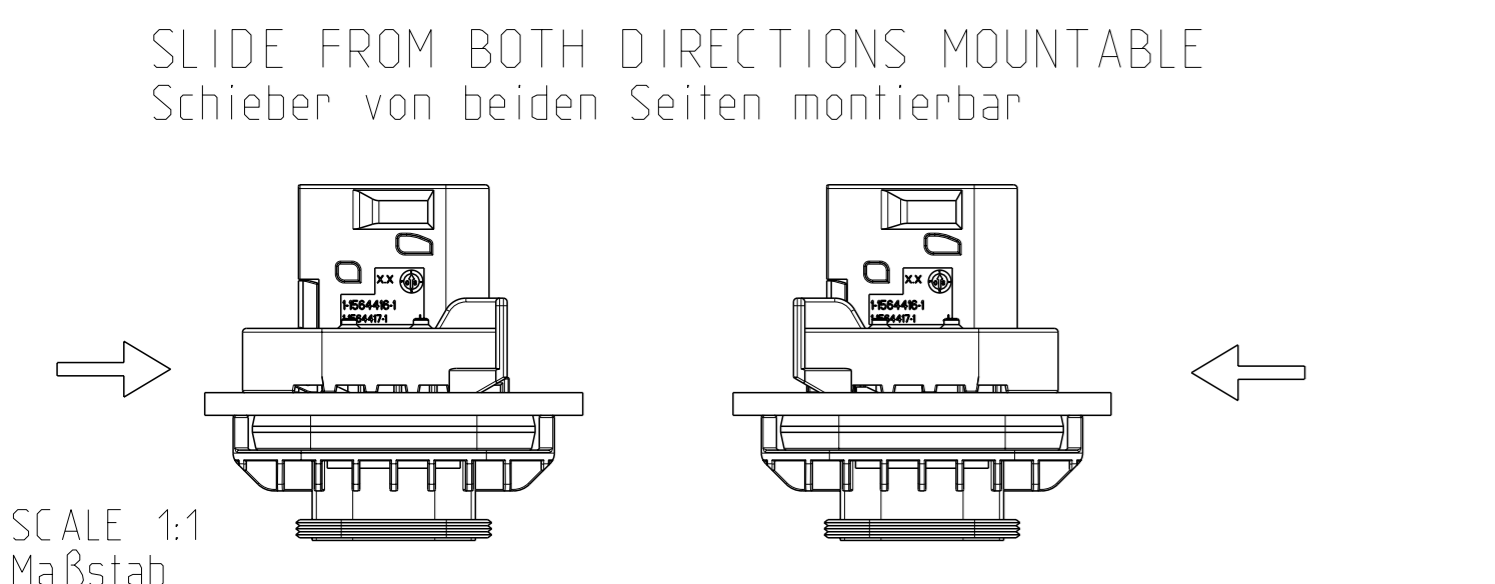
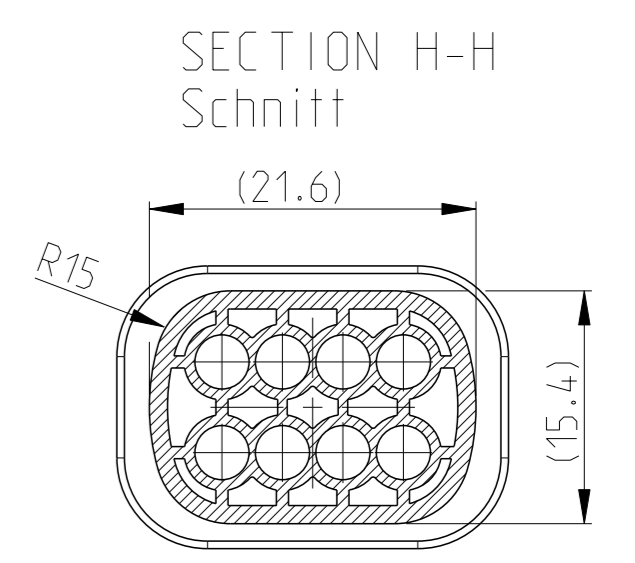
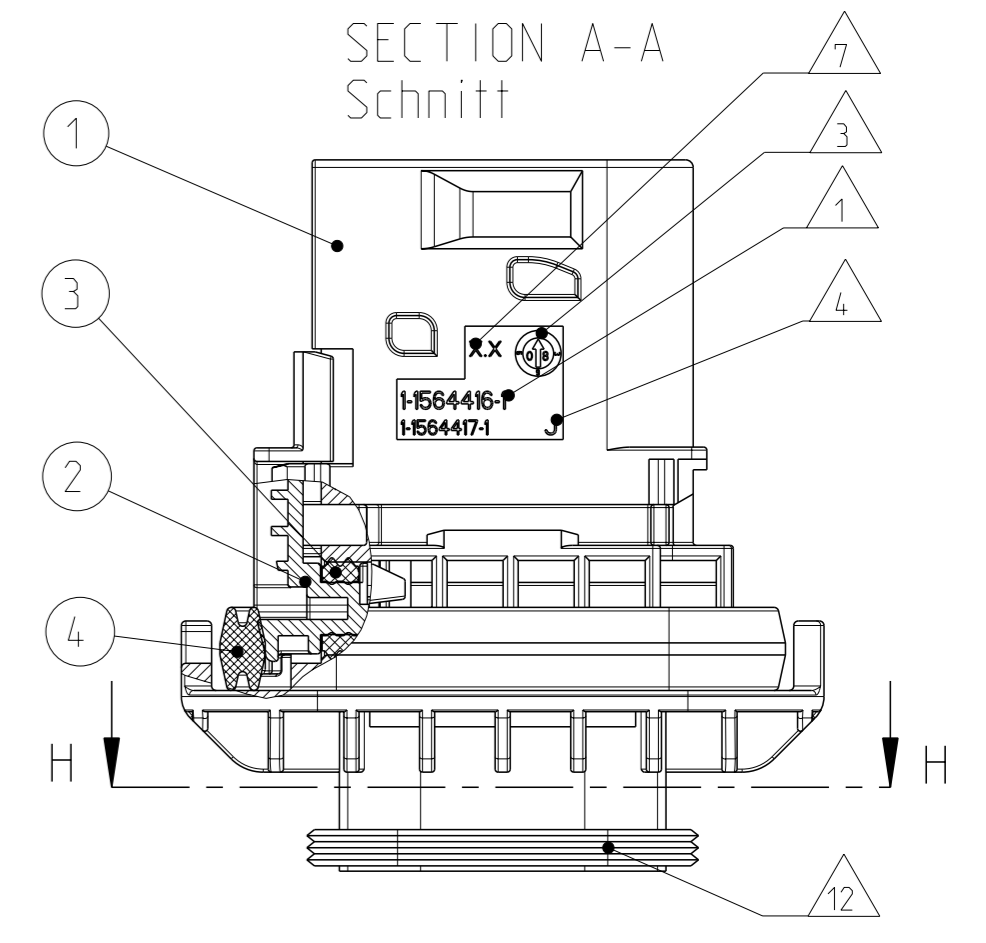
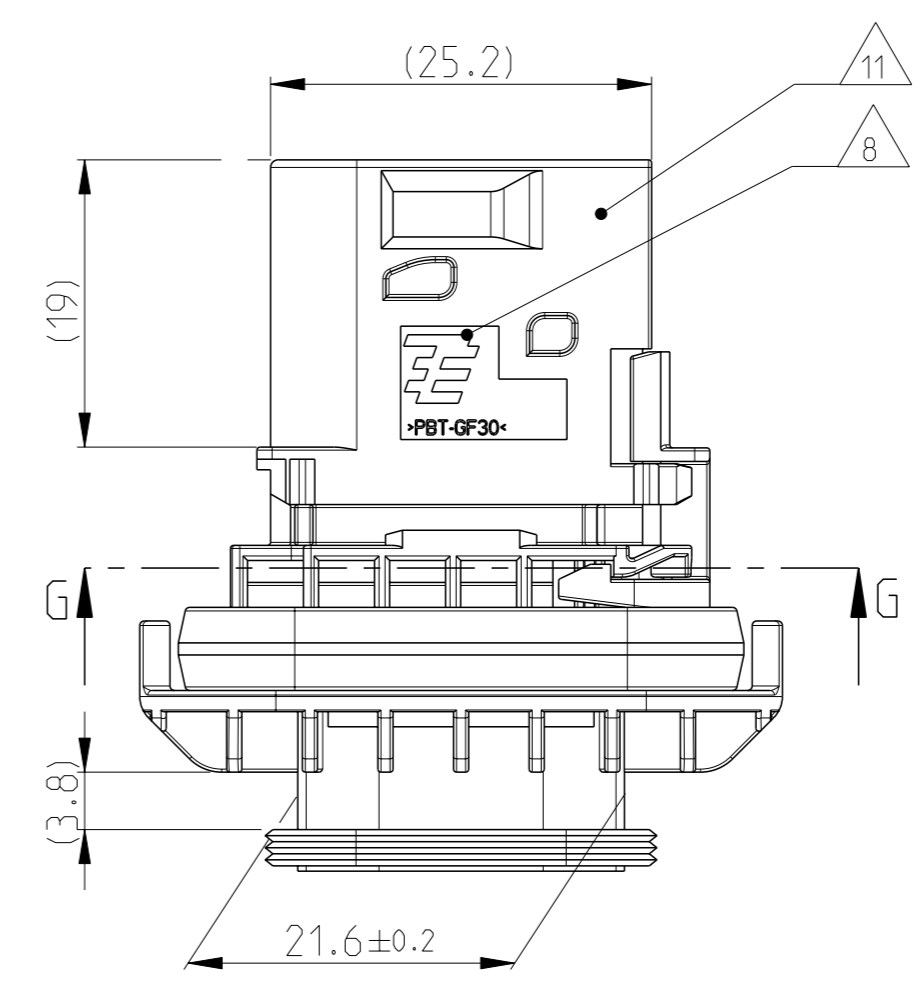
FIXING WITH SLIDE Befestigung mit Schieber	
WALL THICKNESS "X" Wandstaerke "X"	TE ORDER NO. TE Best.-Nr.
1.5mm	N.N.
2.5mm	0-1670720-2
3.0mm	0-1670720-1
3.5mm	0-1670720-6
4mm	N.N.



1-1564416-1 AS SHOWN
1-1564416-1 wie gezeigt



DELIVERY CONDITION:
SECONDARY LOCKING DEVICE
IN PRE-LOCKED POSITION
Lieferzustand:
2. Kontaktsicherung in Vorraststellung



- NOTES
Bemerkungen
- 1 TE ORDER-NO.
TE Bestell-Nr.
 - 2 CAVITY NUMBERING
Kammerbezeichnung
 - 3 PRODUCTION DATE
Produktionsdatum
 - 4 LETTER-INSERT FOR THE REVISION STATUS OF THE MOULD
Schriftsatz fuer Aenderungszustand des Werkzeuges
 - 5 MATERIAL MARKING ACCORDING TO VDA 260
Werkstoffkennzeichnung nach VDA 260
 - 6 BULK PACKAGING IN CORRUGATED BOX
Schueftgut im Versandkarton
 - 7 MOULD CAVITY MARKING
Nestmarkierung
 - 8 TE LOGO
TE Logo
 - 9 SUITABLE COUNTERPART SEE DRAWING: 1418479
passendes Gegenstueck siehe Zeichnung: 1418479
 - 10 CAVITIES MATED WITH TAB 1.6 x 0.6 MM (SW S)
SEE PRODUCT GROUP DRAWING
TE NO: 1355055
MAX. WIRE SIZE: 1.0mm² FLR

WIRE SIZE: 1.5mm² FLR PERMITTED ONLY
IN ASSOCIATION
WITH SINGLE WIRE SEALING PN 0-2287497-1
ALLOWED TEMPERATURE 120 DEGREE CELSIUS

Kontaktkammer passend fuer Flachstecker 1.6 x 0.6 mm (EDS)
siehe Produktgruppenzeichnung
TE Nr.: 1355055
max. Drahtgroessenbereich: 1.0mm² FLR

Es ist ein Drahtgroessenbereich von 1.5mm² FLR nur
in Verbindung mit
der Einzelleiterdichtung PN 0-2287497-1
bis zu 120°C zugelassen.
 - 11 INTERFACE ACC. Drawing: 114-18740-1
Kragenanschluss nach Zeichnung: 114-18740-1
 - 12 MATED WITH COVER SEE DRAWING: 1670057, 1670364
Passend zu Kappe siehe Zeichnung: 1670057, 1670364
 - 13 SLIDING DISTANCE OF SECONDARY LOCKING
Verschiebeweg der zweiten Kontaktsicherung

- 14 MALFUNCTION CAUSED BY LAQUER IS NOT COVERED BY TE WARRANTY
Funktionsbeeinraechtigung durch Lackieren, liegt nicht im Einfluss und Gewaehrleistungsumfang von TE
- 15 SEALING SURFACE CUTOFF
Dichtflaeche Blechausschnitt

SURFACE ROUGHNESS Ra MAX. 1.8µm OR LESS FOR METAL PARTS.
Werkzeugoberflaeche Ra Max. 1.8µm oder weniger fuer Metallteile

SURFACE ROUGHNESS MIN. VDI 3400 - CLASS 24 FOR PLASTIC PARTS.
Werkzeugoberflaeche Min. VDI 3400 - Class 24 fuer Kunststoffteile

THE FLATNESS MUST BE WITHIN THE TOLERANCE OF THE SHEET,
THEREFORE WITHIN ±0.1MM.
Die Ebenheit muß innerhalb der Toleranz des Blechs liegen bei (±0.1mm)

NO SINK MARKS, EJECTOR, DRAFT, DENTS, SCRATCHES,
RECESSES ON THE SEALING AREA ALLOWED.
Keine Einfaltstellen, Auswerfer, Ausformschraegen, Delle,
Kratzer, Absaetze zulaessig.

ITEM NO	DESCRIPTION	COLOUR	MATERIAL
1	BLACK	black	PBT-GF30 / V-0
1	GREEN	green	PBT-GF30 / V-0
1	BLUE	blue	PBT-GF30 / V-0
2	WHITE	white	PBT-GF30 / V-0
3	GREEN	green	MVO
4	GREEN	green	MVO

TE ORDER-NO. TE Bestell-Nr.	REV.	NO. OF POS. Polzahl	CODE Kodierung	QUANTITY Stueck	ITEM NO NO ASSY
4-1564416-1	H	8	D	- - 1 1 1 1 1 4	4
3-1564416-1	H	8	C	- - 1 - 1 1 1 1 3	3
2-1564416-1	H	8	B	- 1 - - 1 1 1 1 2	2
1-1564416-1	H	8	A	1 - - - 1 1 1 1 1	1

THIS DRAWING IS A CONTROLLED DOCUMENT.
DIMENSIONS: mm
TOLERANCES UNLESS OTHERWISE SPECIFIED:
FRACTIONAL DECIMALS: ±0.10
DECIMALS: ±0.05
HOLE POSITION: ±0.10
HOLE DIAMETER: ±0.05
FINISHES UNLESS OTHERWISE SPECIFIED:
DIMENSIONS: mm
TOLERANCES UNLESS OTHERWISE SPECIFIED:
FRACTIONAL DECIMALS: ±0.10
DECIMALS: ±0.05
HOLE POSITION: ±0.10
HOLE DIAMETER: ±0.05

OWN	DATE	NAME	SCALE	SHEET	REV
S. Jaeger	16APR2008	J. Grandow	2:1	1	H3
<p>TE Connectivity</p> <p>8POS.TAB 1.6x0.6 TAB HSG, ASSY 8pos.TAB 1.6x0.6, Flachsteckergeraehuse HDSCS - GROUP C</p> <p>WEIGHT 23.8 g CUSTOMER DRAWING</p>					