



Chipsmall Limited consists of a professional team with an average of over 10 year of expertise in the distribution of electronic components. Based in Hongkong, we have already established firm and mutual-benefit business relationships with customers from,Europe,America and south Asia,supplying obsolete and hard-to-find components to meet their specific needs.

With the principle of “Quality Parts,Customers Priority,Honest Operation,and Considerate Service”,our business mainly focus on the distribution of electronic components. Line cards we deal with include Microchip,ALPS,ROHM,Xilinx,Pulse,ON,Everlight and Freescale. Main products comprise IC,Modules,Potentiometer,IC Socket,Relay,Connector.Our parts cover such applications as commercial,industrial, and automotives areas.

We are looking forward to setting up business relationship with you and hope to provide you with the best service and solution. Let us make a better world for our industry!



## Contact us

Tel: +86-755-8981 8866 Fax: +86-755-8427 6832

Email & Skype: info@chipsmall.com Web: www.chipsmall.com

Address: A1208, Overseas Decoration Building, #122 Zhenhua RD., Futian, Shenzhen, China



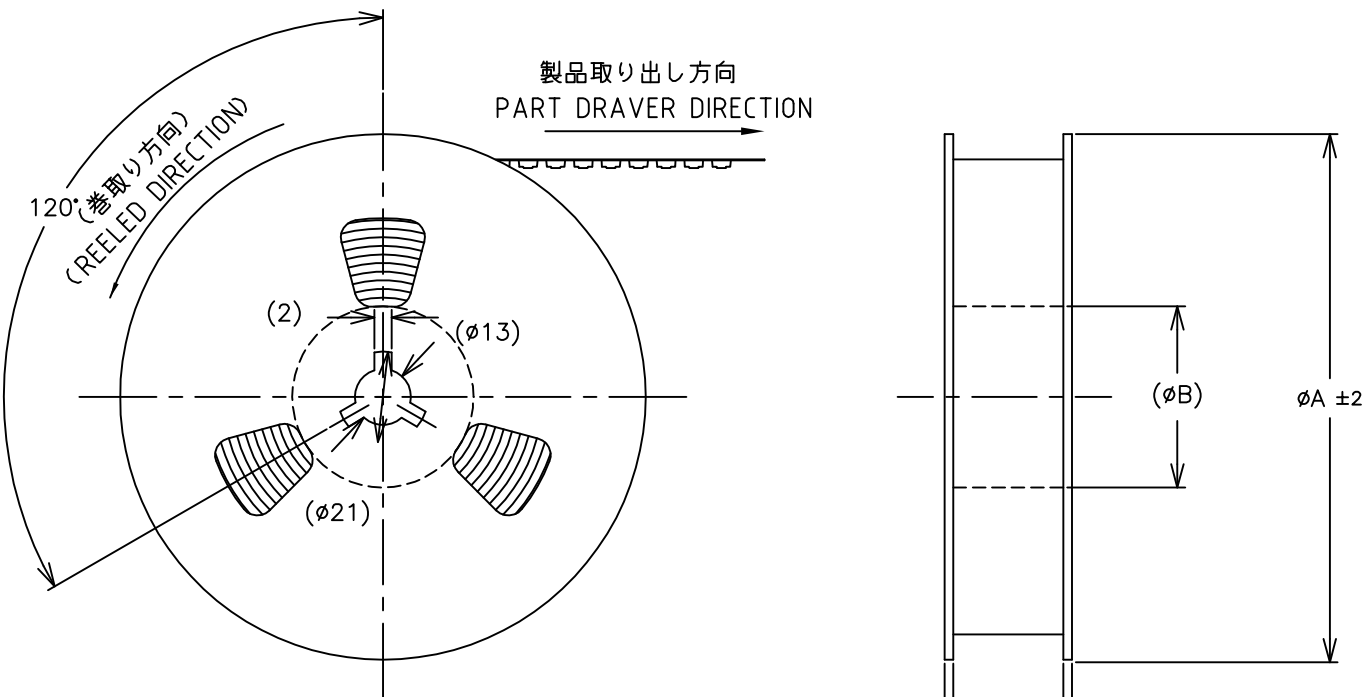
LOC J

DIST -

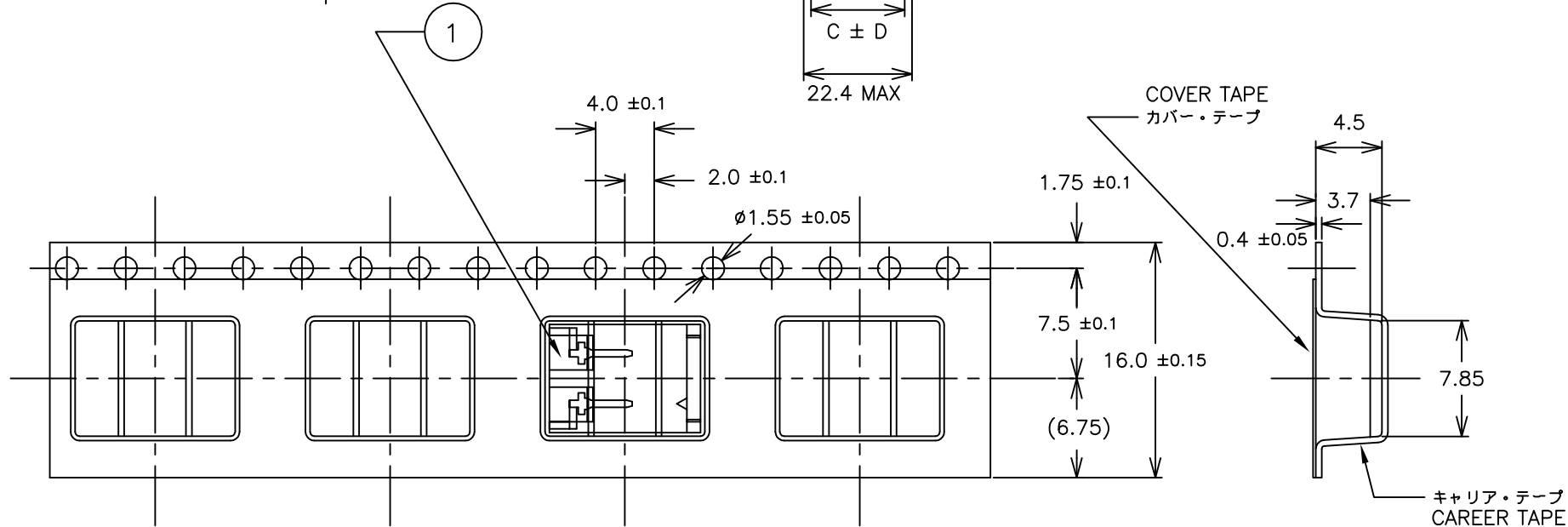
REVISIONS

REV	DESCRIPTION	DATE	DWN	APVD
C	REVISED FJDO-0220-04	22JUN04	M.S	N.Y
D	ECR-11-018912	14SEP11	L.L	F.M

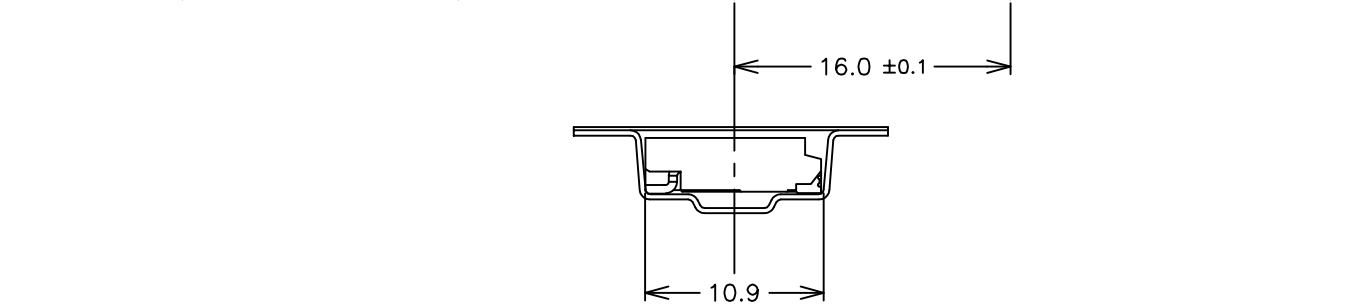
D



C



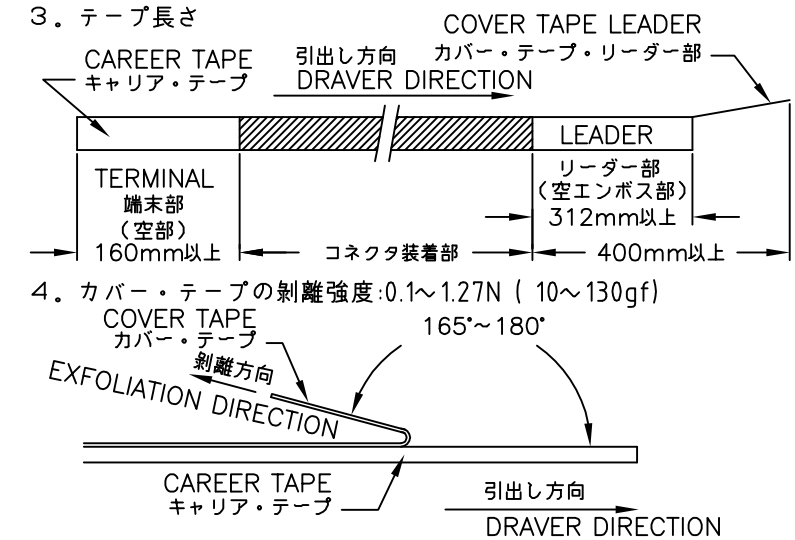
B



A

	A	B	C	D	REEL TYPE
1-1565647-4	330	80	17.9	1.5	PLASTIC REEL
OTHER PARTS	370	100	17	0.2	CORRUGATE REEL
DIM					

注：  
 1. ヘッダー本体については、型番1473040-2を参照のこと。  
 2. 梱包数量：1000EA/リール  
 3. テープ長さ



4. カバ-テープの剝離強度:0.1~1.27N (10~130gf)  
 5. 材料；キャリア-テープ：ポリスチレン、透明材料を使用のこと。  
 カバ-テープ：ポリエステル (PET) 色調：自然色  
 リール：ダンボール

NOTES:  
 1. HDR P/N : 1473040-2  
 2. THE NUMBER OF PACKING : 1000EA/REEL  
 3. TAPE LENGTH  
 4. EXFOLIATION STRENGTH OF THE COVER TAPE : :0.1~1.27N (10~130gf)  
 5. MATERIAL ; CAREER TAPE : PS IS OK , MUST BE CLEAR MATERIAL.  
 COVER-TAPE : POLYESTER , COLOR:NATURAL  
 REEL : SEE TABLE.

1747648-1	ポジティブ ロック POSITIVE LOCK	1-1473040-3	1-1565647-3/4
JST P/N: BHSMR-02VS	ディテント ロック DETENT LOCK	1473040-2	1565647-2
適用プラグ型番 APPLICABLE PLUG P/N	ロック LOCK	① ヘッダー アッセンブリ HDR ASSY	アッセンブリ 型番 ASS'Y P/N

THIS DRAWING IS A CONTROLLED DOCUMENT.

DWN	M.SUZUKI	12.NOV.'01		Tyco Electronics AMP K.K. Kawasaki, Japan	
CHK	Y.KASHIWA	12.NOV.'01			
APVD	Y.KASHIWA	12.NOV.'01			
DIMENSIONS: 単位： 耗 MM TOLERANCES UNLESS OTHERWISE SPECIFIED: 一般公差 0 PLZ ± 0.3 1 PLC ± - 2 PLC ± - 3 PLC ± - 4 PLC ANGLES ± 3° MATERIAL 材料 SEE NOTES 5 注5 参照			NAME 名称 BACK LIGHT CONN 3.5mm PITCH 2Pos. HDR ON TAPE バックライト・コネクタ 3.5mmピッチ 2極 ヘッダー エンボステーブ PRODUCT SPEC 製品規格 108-5706 APPLICATION SPEC 取付適用規格 WEIGHT CUSTOMER DRAWING		
SIZE A3			CAGE CODE 00779	DRAWING NO 番号 1565647	RESTRICTED TO -
SCALE 尺度 NON			SHEET 1 OF 1	REV D	