



Chipsmall Limited consists of a professional team with an average of over 10 year of expertise in the distribution of electronic components. Based in Hongkong, we have already established firm and mutual-benefit business relationships with customers from,Europe,America and south Asia,supplying obsolete and hard-to-find components to meet their specific needs.

With the principle of "Quality Parts,Customers Priority,Honest Operation,and Considerate Service",our business mainly focus on the distribution of electronic components. Line cards we deal with include Microchip,ALPS,ROHM,Xilinx,Pulse,ON,Everlight and Freescale. Main products comprise IC,Modules,Potentiometer,IC Socket,Relay,Connector.Our parts cover such applications as commercial,industrial, and automotives areas.

We are looking forward to setting up business relationship with you and hope to provide you with the best service and solution. Let us make a better world for our industry!



Contact us

Tel: +86-755-8981 8866 Fax: +86-755-8427 6832

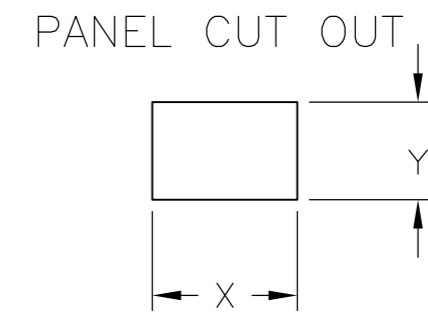
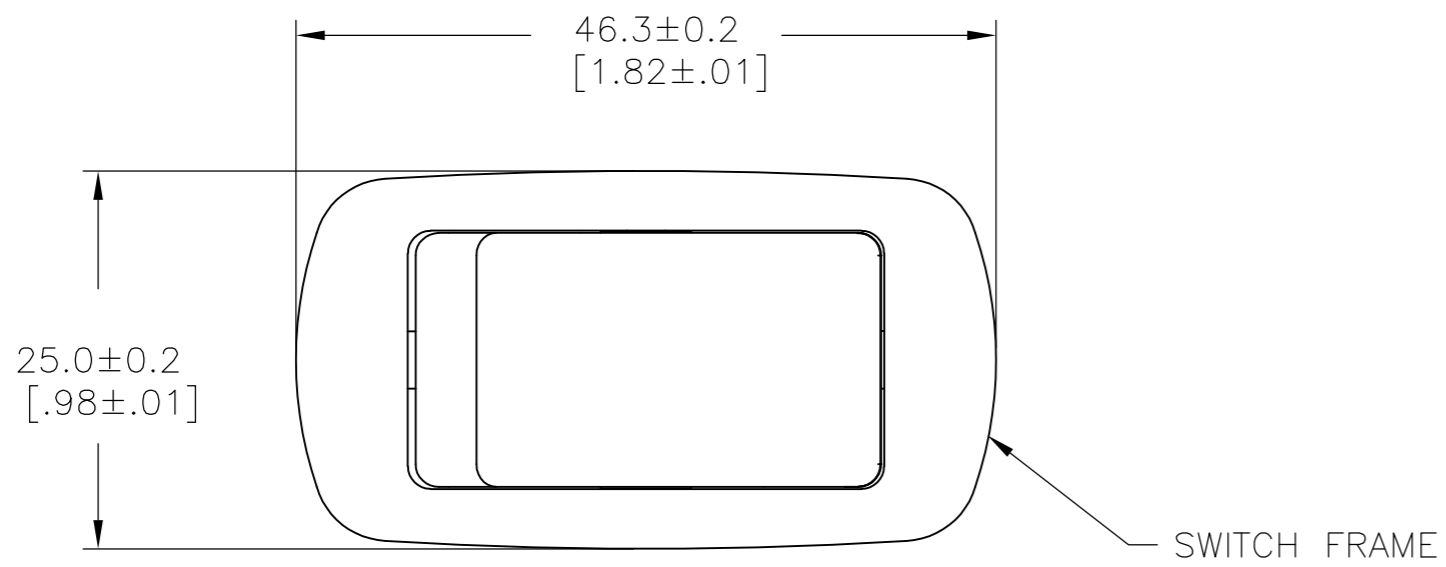
Email & Skype: info@chipsmall.com Web: www.chipsmall.com

Address: A1208, Overseas Decoration Building, #122 Zhenhua RD., Futian, Shenzhen, China

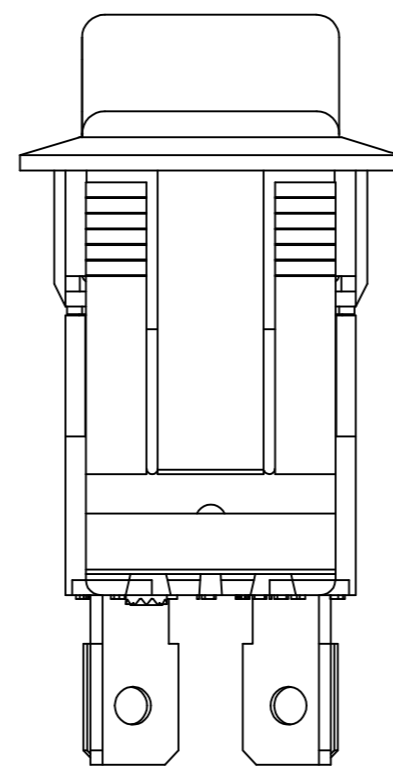
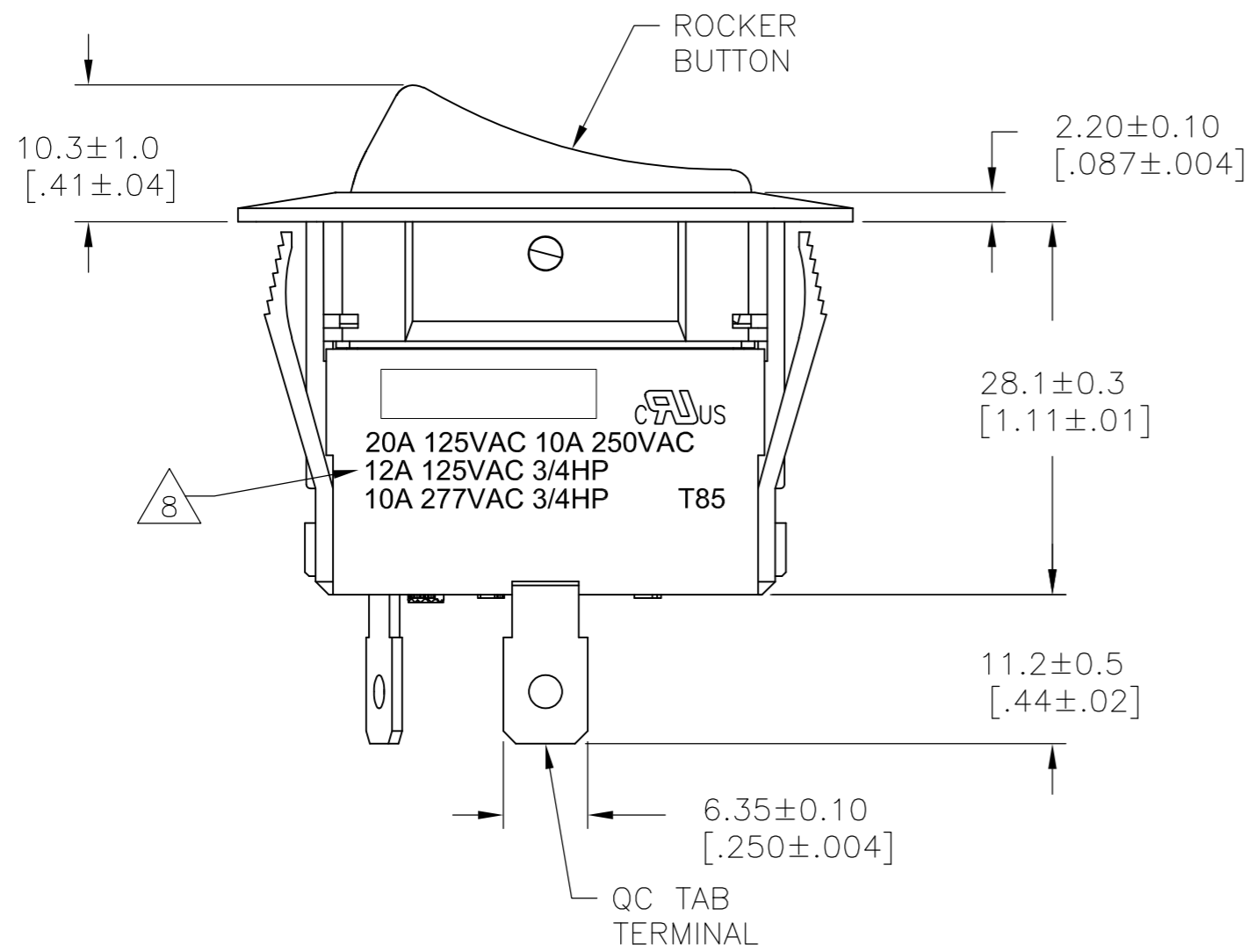


THIS DRAWING IS UNPUBLISHED. RELEASED FOR PUBLICATION
 © COPYRIGHT - By - ALL RIGHTS RESERVED.

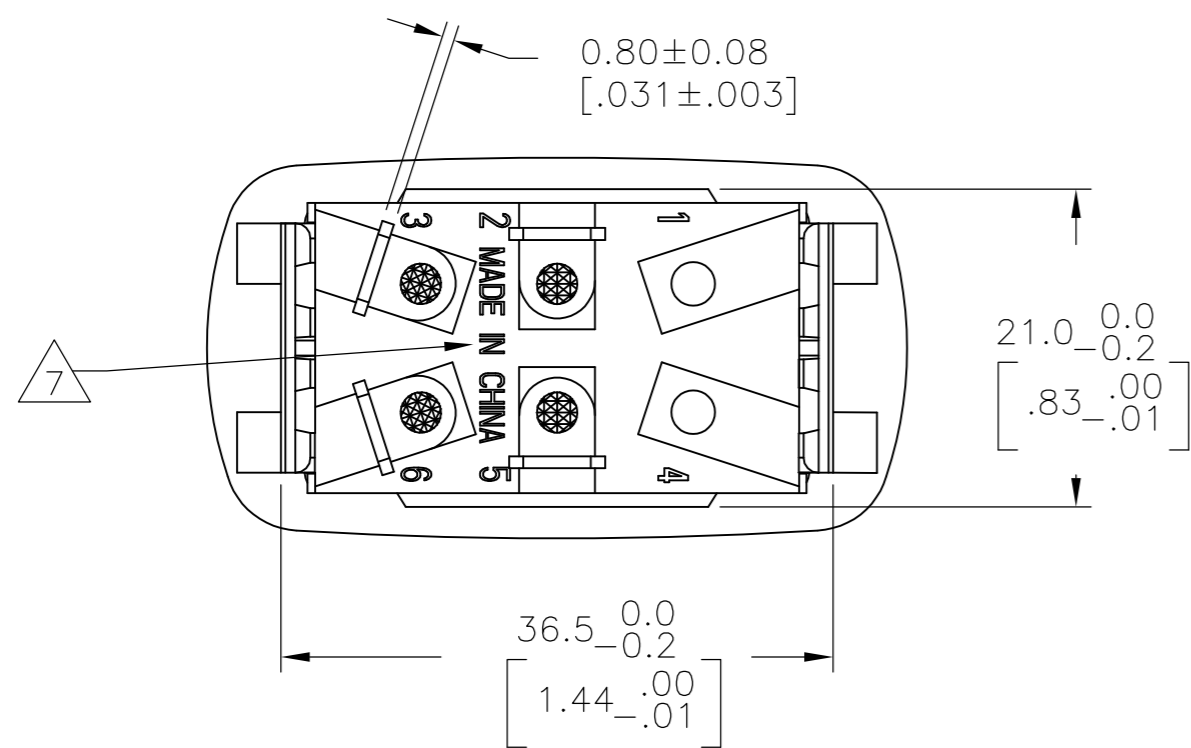
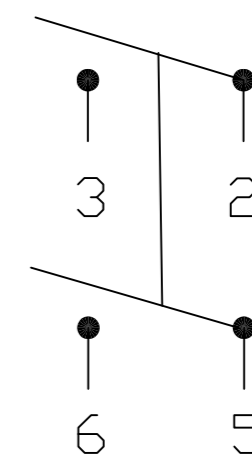
| LOC | | DIST | | REVISIONS | | | |
|-----|-----|-------------|---------------------------|-----------|------|-----|--|
| P | LTR | DESCRIPTION | DATE | DWN | APVD | | |
| | | C3 | REVISED PER ECO-11-004820 | 11MAR11 | RK | HMR | |



| | | |
|-----------------------|----------------------|-----------------------|
| 2.00-3.00 [.079-.118] | 21.2+0.1 [.835+.004] | 37.0+0.2 [1.457+.008] |
| 1.25-2.00 [.049-.079] | 21.2+0.1 [.835+.004] | 36.8+0.2 [1.449+.008] |
| .075-1.25 [.030-.049] | 21.2+0.1 [.835+.004] | 36.6+0.2 [1.441+.008] |
| PANEL THICKNESS | Y | X |



SWITCH FUNCTION A1
CIRCUIT DIAGRAM

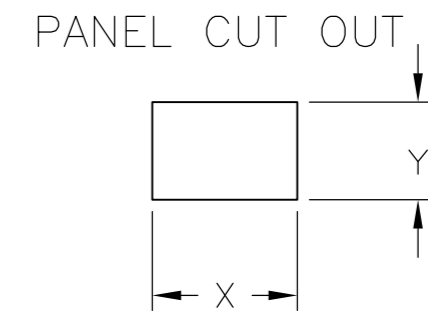
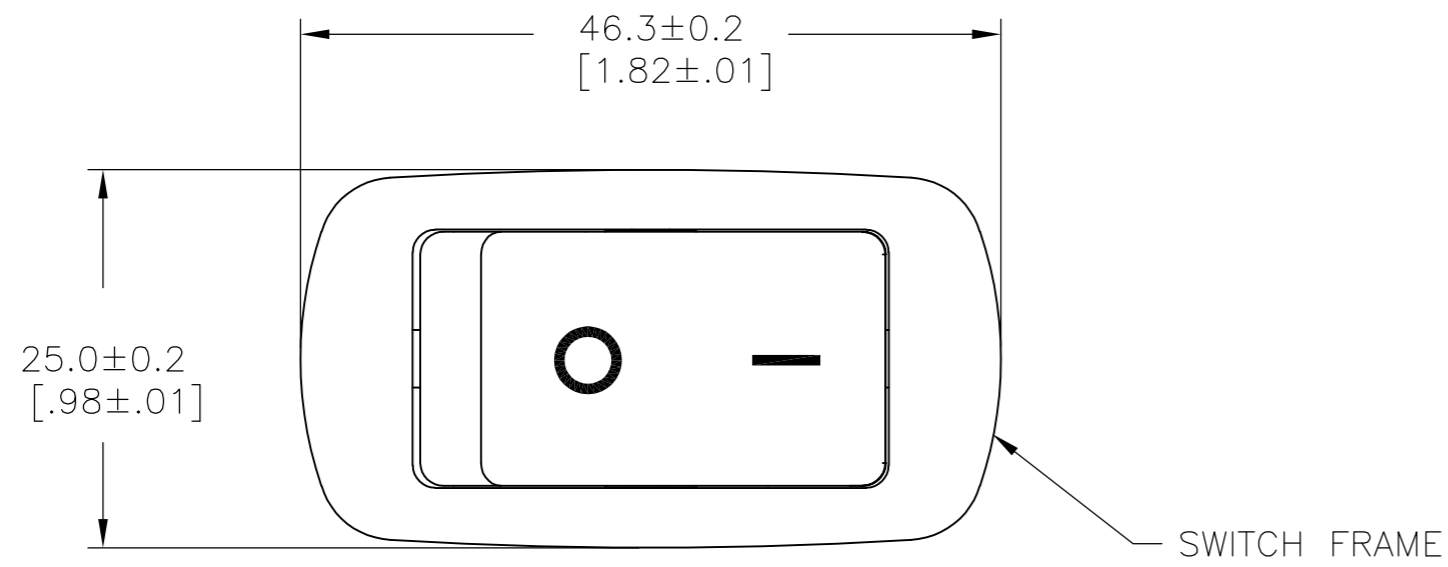


1571102-1
SHOWN

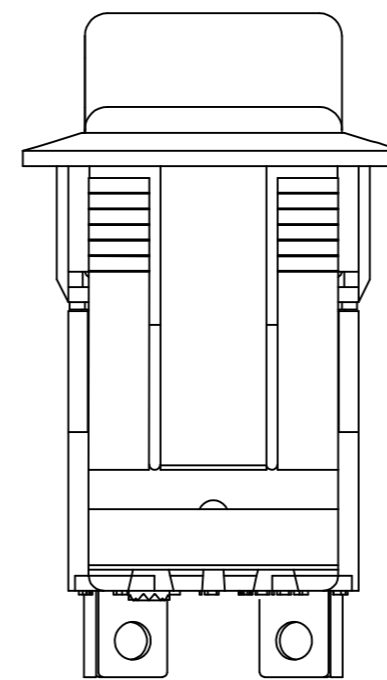
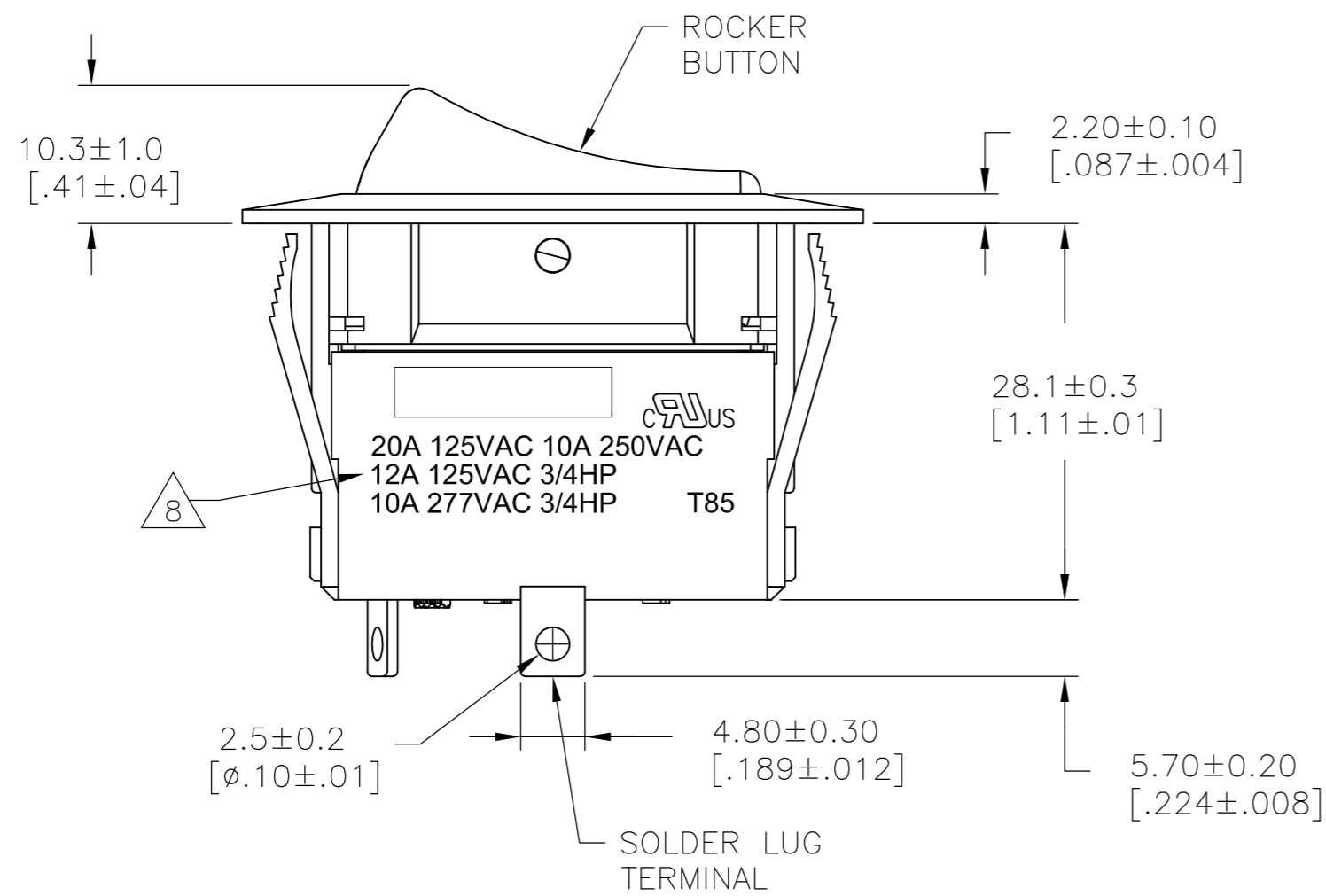
| THIS DRAWING IS A CONTROLLED DOCUMENT. | | DWN | 25FEB2002 | TE Connectivity | |
|--|--|------------------|-----------|--|---------------|
| DIMENSIONS: mm [INCHES] | | CHK | M.BINNER | | |
| TOLERANCES UNLESS OTHERWISE SPECIFIED: | | APVD | D.ROHDE | | |
| 0 PLC ± - | | PRODUCT SPEC | D.ROHDE | | |
| 1 PLC ± - | | APPLICATION SPEC | | | |
| 2 PLC ± - | | WEIGHT | - | NAME | |
| 3 PLC ± - | | MATERIAL | | POWER ROCKER SWITCH, 21.2mm X 36.6mm MIN | |
| 4 PLC ± - | | FINISH | | PANEL CUT-OUT SIZE | |
| ANGLES ± - | | MATERIAL | | DOUBLE POLE, SINGLE THROW, NON-ILLUMINATED | |
| FINISH | | MATERIAL | | SIZE | RESTRICTED TO |
| 1 | | 2 | | A2 | |
| CUSTOMER DRAWING | | SCALE | | CAGE CODE | DRAWING NO |
| | | 2:1 | | 00779 | 1571102 |
| | | SHEET | | REV | |
| | | 1 of 4 | | C3 | |

THIS DRAWING IS UNPUBLISHED. RELEASED FOR PUBLICATION
 © COPYRIGHT - By - ALL RIGHTS RESERVED.

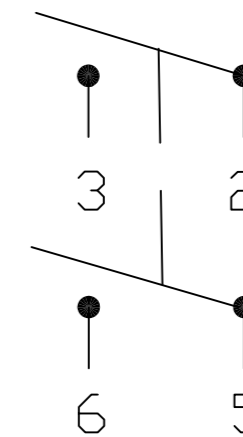
| LOC | DIST | REVISIONS | | | | | |
|-----|------|-----------|-----|-------------|------|-----|------|
| AD | 00 | P | LTR | DESCRIPTION | DATE | DWN | APVD |
| | | - | | SEE SHEET 1 | - | - | - |



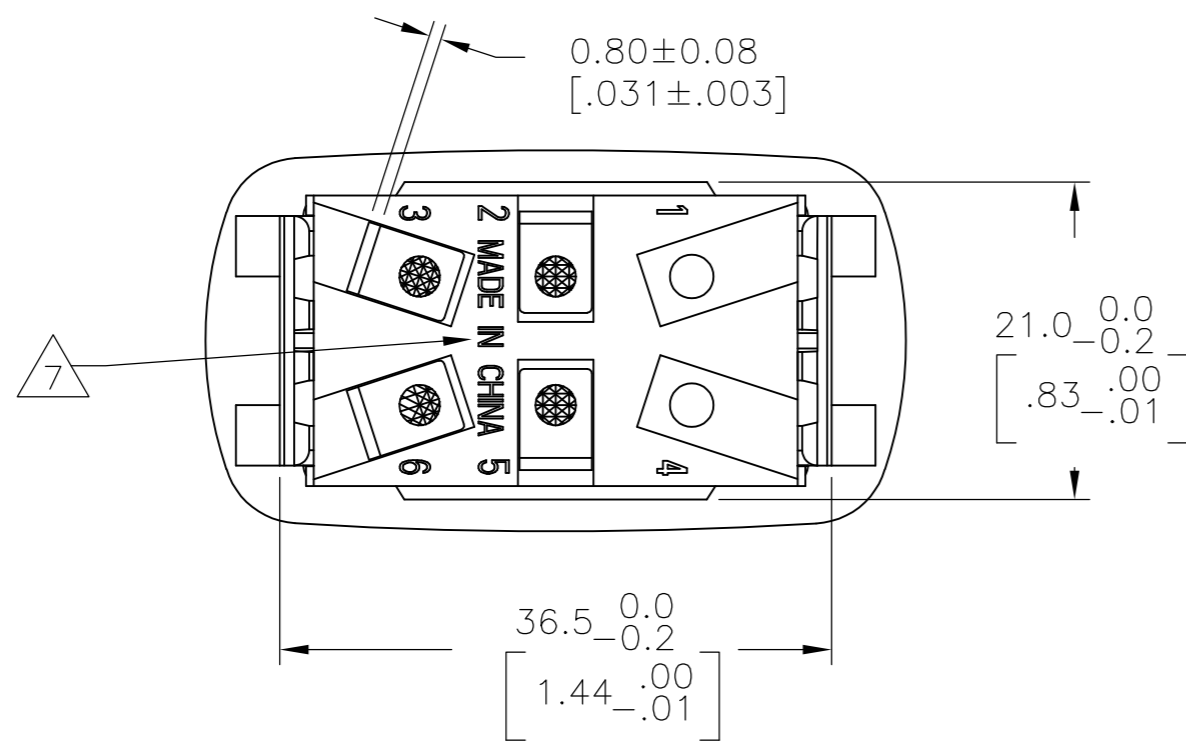
| | | |
|-----------------------|----------------------|-----------------------|
| 2.00-3.00 [.079-.118] | 21.2+0.1 [.835+.004] | 37.0+0.2 [1.457+.008] |
| 1.25-2.00 [.049-.079] | 21.2+0.1 [.835+.004] | 36.8+0.2 [1.449+.008] |
| .075-1.25 [.030-.049] | 21.2+0.1 [.835+.004] | 36.6+0.2 [1.441+.008] |
| PANEL THICKNESS | Y | X |



SWITCH FUNCTION A1
CIRCUIT DIAGRAM



1571102-5
SHOWN

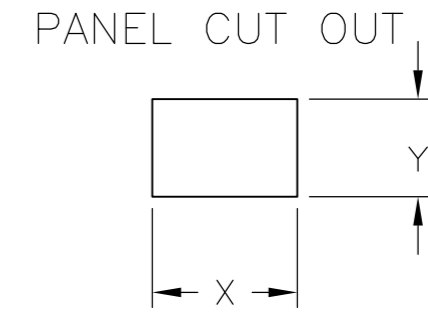
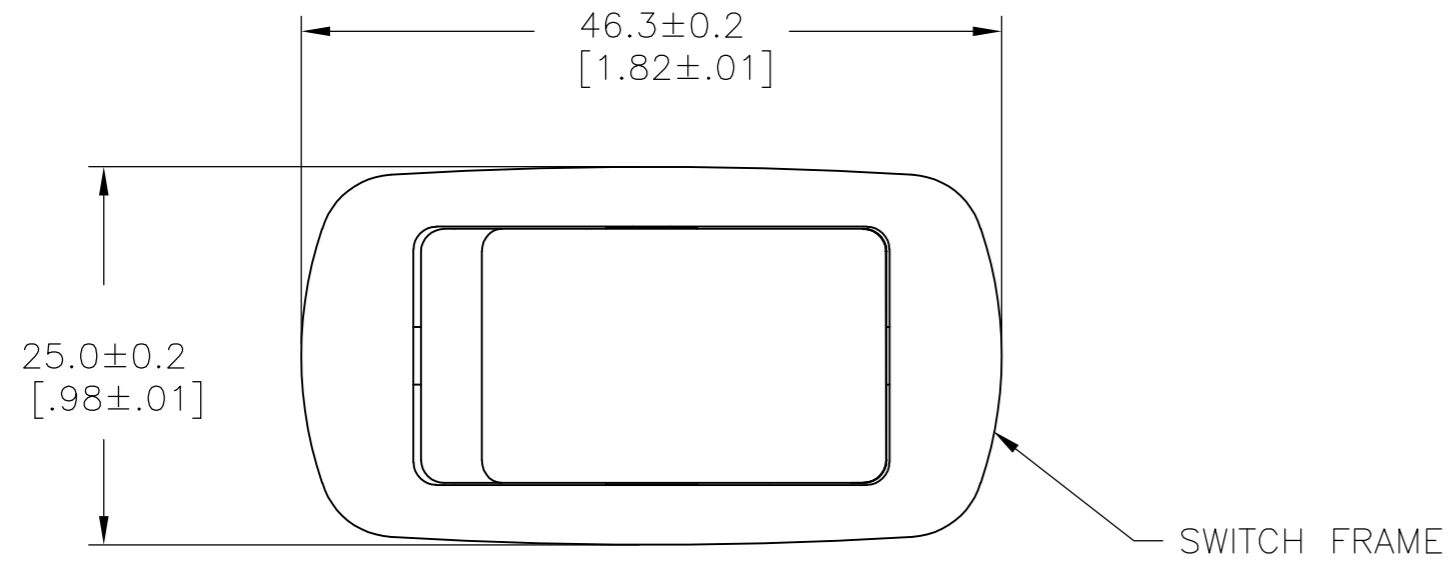


| DIMENSIONS: | | TOLERANCES UNLESS OTHERWISE SPECIFIED: | | MATERIAL | | FINISH | |
|-------------|----------|--|-----|----------|---|--------|--------|
| mm | [INCHES] | 0 PLC | ± - | 1 | 2 | WEIGHT | SCALE |
| | | 1 PLC | ± - | | | | 2:1 |
| | | 2 PLC | ± - | | | | SHEET |
| | | 3 PLC | ± - | | | | 2 OF 4 |
| | | 4 PLC | ± - | | | | REV |
| | | ANGLES | ± - | | | | C3 |

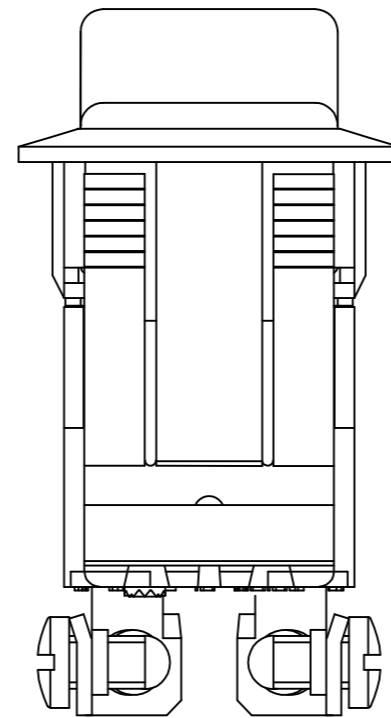
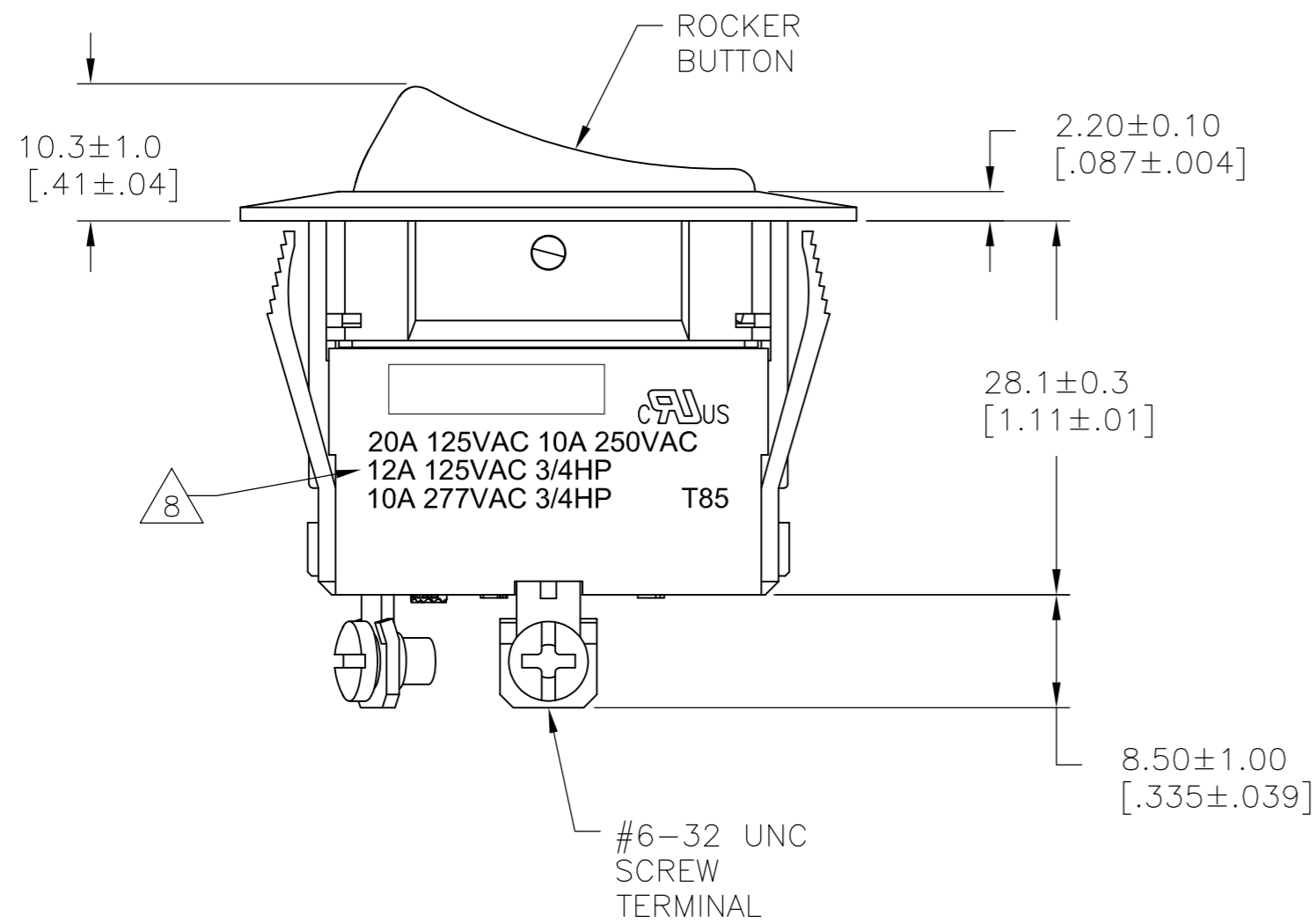
| | | | | | |
|--|--|------------------|-----------|--|---------------|
| THIS DRAWING IS A CONTROLLED DOCUMENT. | | DWN | 25FEB2002 | TE TE Connectivity | |
| | | CHK | 16NOV05 | | |
| | | APVD | 16NOV05 | NAME | |
| | | PRODUCT SPEC | | POWER ROCKER SWITCH, 21.2mm X 36.6mm MIN PANEL CUT-OUT SIZE | |
| | | APPLICATION SPEC | | DOUBLE POLE, SINGLE THROW, NON-ILLUMINATED | |
| | | WEIGHT | - | SIZE | RESTRICTED TO |
| | | | | A2 | - |
| | | CUSTOMER DRAWING | | CAGE CODE | DRAWING NO |
| | | | | 00779 | 1571102 |

THIS DRAWING IS UNPUBLISHED. RELEASED FOR PUBLICATION
 © COPYRIGHT - By - ALL RIGHTS RESERVED.

| LOC | DIST | REVISIONS | | | |
|-----|------|-------------|------|-----|------|
| P | LTR | DESCRIPTION | DATE | DWN | APVD |
| AD | 00 | SEE SHEET 1 | - | - | - |

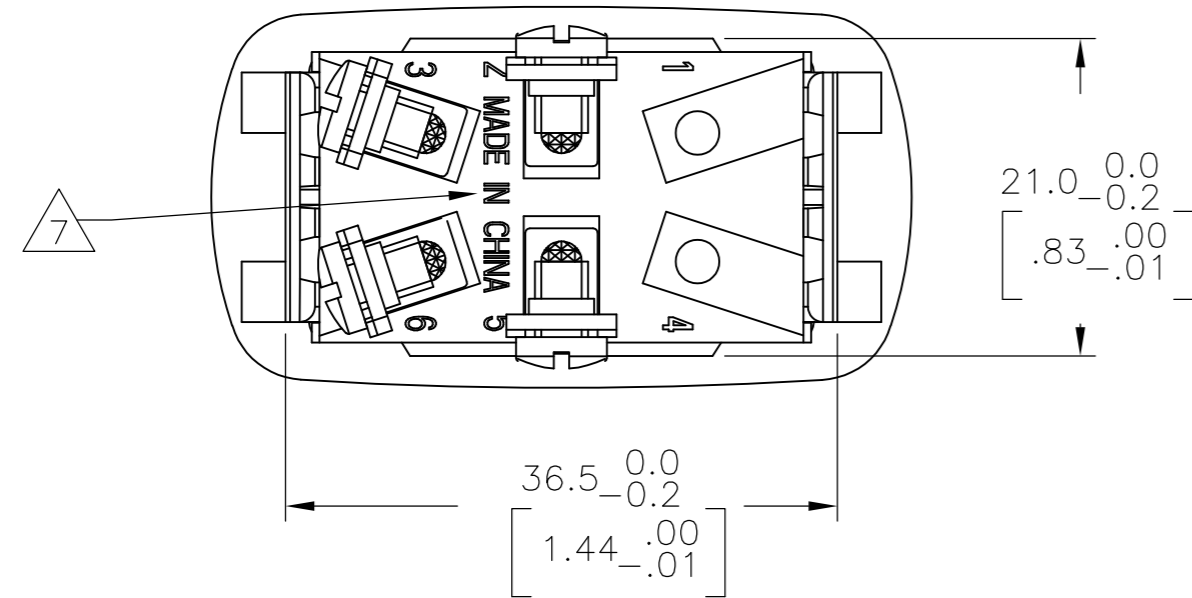
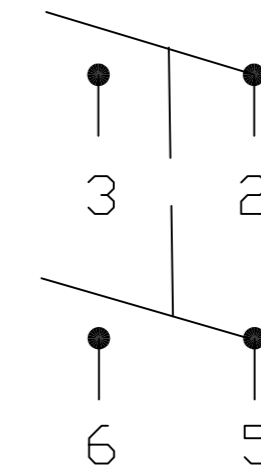


| | | |
|-----------------------|----------------------|-----------------------|
| 2.00-3.00 [.079-.118] | 21.2+0.1 [.835+.004] | 37.0+0.2 [1.457+.008] |
| 1.25-2.00 [.049-.079] | 21.2+0.1 [.835+.004] | 36.8+0.2 [1.449+.008] |
| .075-1.25 [.030-.049] | 21.2+0.1 [.835+.004] | 36.6+0.2 [1.441+.008] |
| PANEL THICKNESS | Y | X |



1571102-9
SHOWN

SWITCH FUNCTION A1
CIRCUIT DIAGRAM



| DIMENSIONS: | | TOLERANCES UNLESS OTHERWISE SPECIFIED: | | MATERIAL | | FINISH | |
|-------------|----------|--|-----|----------|---|--------|--------|
| mm | [INCHES] | 0 PLC | ± - | 1 | 2 | WEIGHT | SCALE |
| | | 1 PLC | ± - | | | | 2:1 |
| | | 2 PLC | ± - | | | | SHEET |
| | | 3 PLC | ± - | | | | 3 of 4 |
| | | 4 PLC | ± - | | | | REV |
| | | ANGLES | ± - | | | | C3 |
| | | | | | | | |

| | | | | | |
|--|--|------------------|-----------|--|---------------|
| THIS DRAWING IS A CONTROLLED DOCUMENT. | | DWN | 25FEB2002 | TE TE Connectivity | |
| | | CHK | 16NOV05 | | |
| | | APVD | 16NOV05 | NAME | |
| | | PRODUCT SPEC | | POWER ROCKER SWITCH, 21.2mm X 36.6mm MIN | |
| | | APPLICATION SPEC | | PANEL CUT-OUT SIZE | |
| | | WEIGHT | - | DOUBLE POLE, SINGLE THROW, NON-ILLUMINATED | |
| | | | | SIZE | RESTRICTED TO |
| | | | | A2 | - |
| | | | | CAGE CODE | |
| | | | | 00779 | |
| | | | | DRAWING NO | |
| | | | | C=1571102 | |
| | | | | SCALE | |
| | | | | 2:1 | |
| | | | | SHEET | |
| | | | | 3 of 4 | |
| | | | | REV | |
| | | | | C3 | |

| LOC | DIST | REVISIONS | | | |
|-----|------|-------------|------|-----|------|
| P | LTR | DESCRIPTION | DATE | DWN | APVD |
| AD | 00 | SEE SHEET 1 | - | - | - |

1 MATERIALS:
 ROCKER BUTTON, FRAME & HOUSING: NYLON 66, UL 94 V-2.
 PLUNGER: PHENOLIC
 SEAL: SILICONE RUBBER
 SCREW TERMINAL, ACTIVE CONTACTOR, CONTACTOR SUPPORT: COPPER ALLOY PER ASTM B152
 QC & SOLDER TERMINAL: COPPER ALLOY PER ASTM B036
 SPRING: STEEL WIRE
 CONTACTS: SILVER-TIN OXIDE

2 FINISH:
 CONTACTOR SUPPORT, ACTIVE CONTACTOR: 1.01µm [.000040] MIN SILVER
 QC TERMINAL: 1.27µm [.000050] MIN NICKEL
 SOLDER TERMINAL: 1.27µm [.000050] MIN TIN

3 ELECTRICAL SPECIFICATIONS:
 CURRENT AND VOLTAGE: **6**
 CONTACT RESISTANCE (INITIAL): <50mΩ
 DIELECTRIC STRENGTH (INITIAL): >1000 VAC, 1 MINUTE
 INSULATION RESISTANCE (INITIAL): >100MΩ MIN (500VDC BETWEEN OPEN CONTACTS)
 ELECTRICAL LIFE ENDURANCE: >6000 OPERATIONS, VOLTAGE DROP: <100mV
 TEMPERATURE RISE AT TERMINALS: <30°C, 6000 OPERATIONS
 (AMBIENT CONDITIONS: 25±2°C AND 65±5%R.H)

4 MECHANICAL SPECIFICATIONS:
 ACTUATING FORCE: 1100g MIN, 1900g MAX
 OPERATING LIFE ENDURANCE: >100,000 OPERATIONS
 TERMINAL RETENTION FORCE: >9kg- SOLDER LUG
 >9kg- QC TAB
 >6.8kg- #6-32 UNC SCREW TERMINAL

5 ENVIRONMENTAL SPECIFICATIONS:
 AMBIENT TEMPERATURE: -20°C TO +85°C
 DEGREE OF PROTECTION: IP66

6 20A 125VAC, 10A 250VAC/12A 125VAC, 3/4HP/ 10A 277VAC, 3/4HP

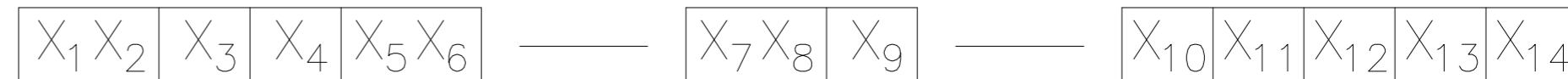
7 COUNTRY OF ORIGIN AND TERMINAL IDENTIFICATION NUMBERS MOLDED APPROXIMATELY AS SHOWN ON THE SWITCH HOUSING.

8 ELECTRICAL RATINGS, APPROVED AGENCY LOGOS AND THE TE CONNECTIVITY LOGO INK MARKED APPROXIMATELY AS SHOWN ON THE SWITCH HOUSING.

9 COMPONENT RECOGNIZED TO US & CANADIAN STANDARDS, UL FILE NO. E46765.

10 ROHS 2002/95/EC COMPLIANT

ALCOSWITCH PART NUMBER



SWITCH TYPE: X1 X2 = PR - POWER ROCKER

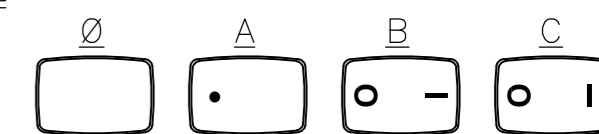
SECONDARY ROCKER COLOR: X12 = Ø - NOT APPLICABLE

PANEL CUT OUT SIZE: X3 = C - 21.2x36.6 MIN
 [.835x1.441]

NUMBER OF POLES: X4 = D - DOUBLE

SWITCH FUNCTION: X5 X6 =
A1-ON-OFF, WITH OPAQUE, SINGLE-COLOR
 ROCKER BUTTON.

LEGEND TEXT PATTERN: X13 =



CURRENT RATING: X7 X8 = 20 - **6**

TERMINAL TYPE: X9 = E - QC TAB
L - SOLDER LUG
S - #6-32 UNC SCREW

FRAME COLOR: X10 = B - BLACK
W - WHITE

LEGEND TEXT COLOR: X14 = Ø - NOT APPLICABLE
G - GREEN
R - RED
B - BLACK
W - WHITE

ROCKER COLOR: X11 = B - BLACK
G - GREEN
R - RED
W - WHITE
Y - YELLOW

| | | |
|-----------|------------------------|------------------|
| 3 | PRCDA1-20S-BB0CW | 1-1571102-1 |
| 3 | PRCDA1-20S-BB0BW | 1-1571102-0 |
| 3 | PRCDA1-20S-BB000 | 1571102-9 |
| 2 | PRCDA1-20L-BR000 | 1571102-8 |
| 1 | PRCDA1-20F-BR000 | 1571102-7 |
| 2 | PRCDA1-20L-BB0CW | 1571102-6 |
| 2 | PRCDA1-20L-BB0BW | 1571102-5 |
| 2 | PRCDA1-20L-BB000 | 1571102-4 |
| 1 | PRCDA1-20F-BB0CW | 1571102-3 |
| 1 | PRCDA1-20F-BB0BW | 1571102-2 |
| 1 | PRCDA1-20F-BB000 | 1571102-1 |
| SHEET REF | ALCOSWITCH PART NUMBER | TYCO PART NUMBER |

| | | | | |
|---|--------------------|----------------------------------|--|-----------|
| THIS DRAWING IS A CONTROLLED DOCUMENT. | | DWN M.BINNER 25FEB2002 | TE Connectivity | |
| DIMENSIONS: mm [INCHES] | | CHK D.ROHDE 16NOV05 | NAME POWER ROCKER SWITCH, 21.2mm X 36.6mm MIN PANEL CUT-OUT SIZE DOUBLE POLE, SINGLE THROW, NON-ILLUMINATED | |
| TOLERANCES UNLESS OTHERWISE SPECIFIED: | | APVD D.ROHDE 16NOV05 | SIZE A2 | |
| 0 PLC ± - 1 PLC ± - 2 PLC ± - 3 PLC ± - 4 PLC ± - ANGLES ± - | | PRODUCT SPEC APPLICATION SPEC | CAGE CODE 00779 | |
| MATERIAL 1 | FINISH 2 | WEIGHT - | DRAWING NO 1571102 | |
| CUSTOMER DRAWING | | SCALE 2:1 | SHEET 4 of 4 | REV C3 |