



Chipsmall Limited consists of a professional team with an average of over 10 year of expertise in the distribution of electronic components. Based in Hongkong, we have already established firm and mutual-benefit business relationships with customers from,Europe,America and south Asia,supplying obsolete and hard-to-find components to meet their specific needs.

With the principle of “Quality Parts,Customers Priority,Honest Operation,and Considerate Service”,our business mainly focus on the distribution of electronic components. Line cards we deal with include Microchip,ALPS,ROHM,Xilinx,Pulse,ON,Everlight and Freescale. Main products comprise IC,Modules,Potentiometer,IC Socket,Relay,Connector.Our parts cover such applications as commercial,industrial, and automotives areas.

We are looking forward to setting up business relationship with you and hope to provide you with the best service and solution. Let us make a better world for our industry!



Contact us

Tel: +86-755-8981 8866 Fax: +86-755-8427 6832

Email & Skype: info@chipsmall.com Web: www.chipsmall.com

Address: A1208, Overseas Decoration Building, #122 Zhenhua RD., Futian, Shenzhen, China



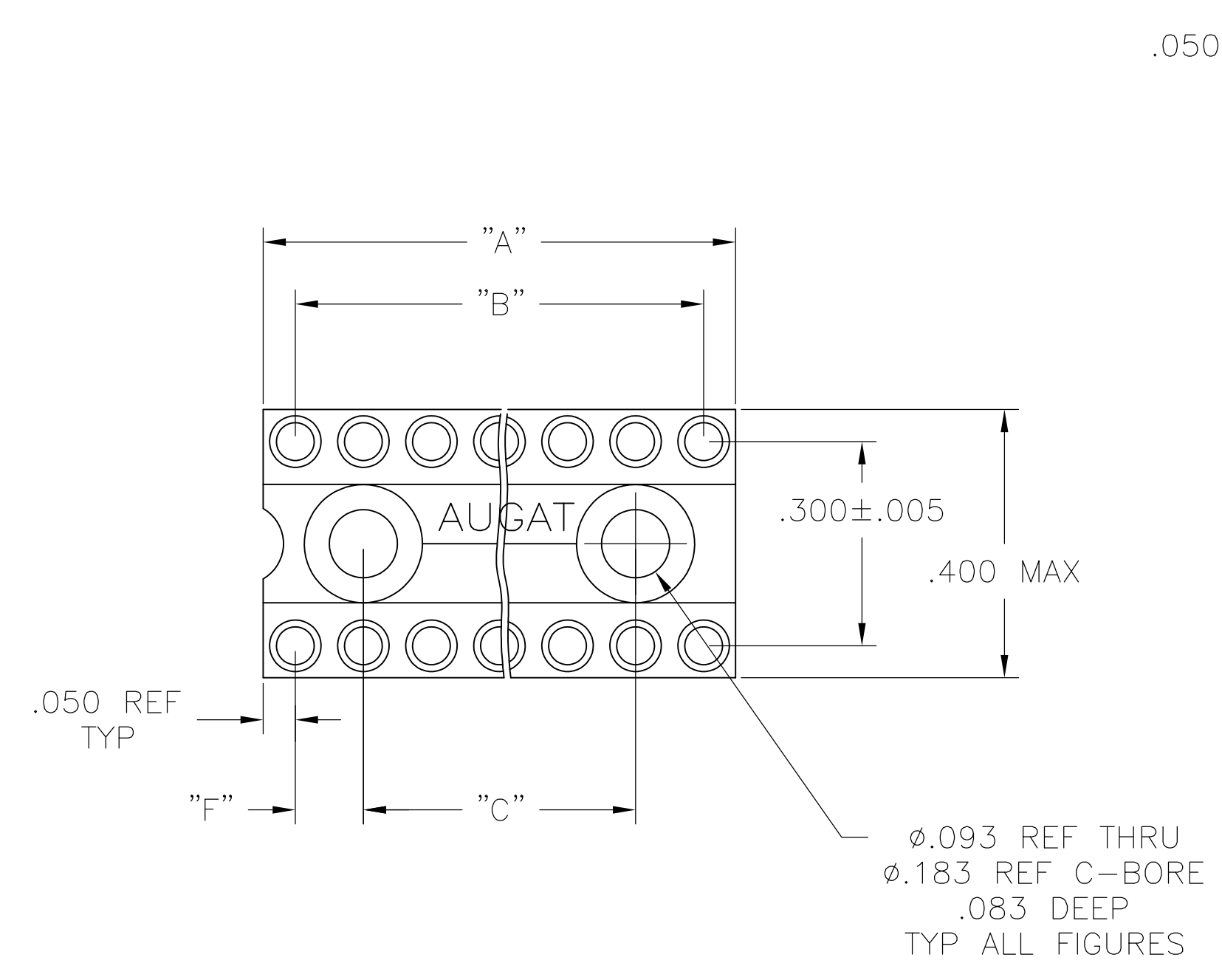


FIG. 1

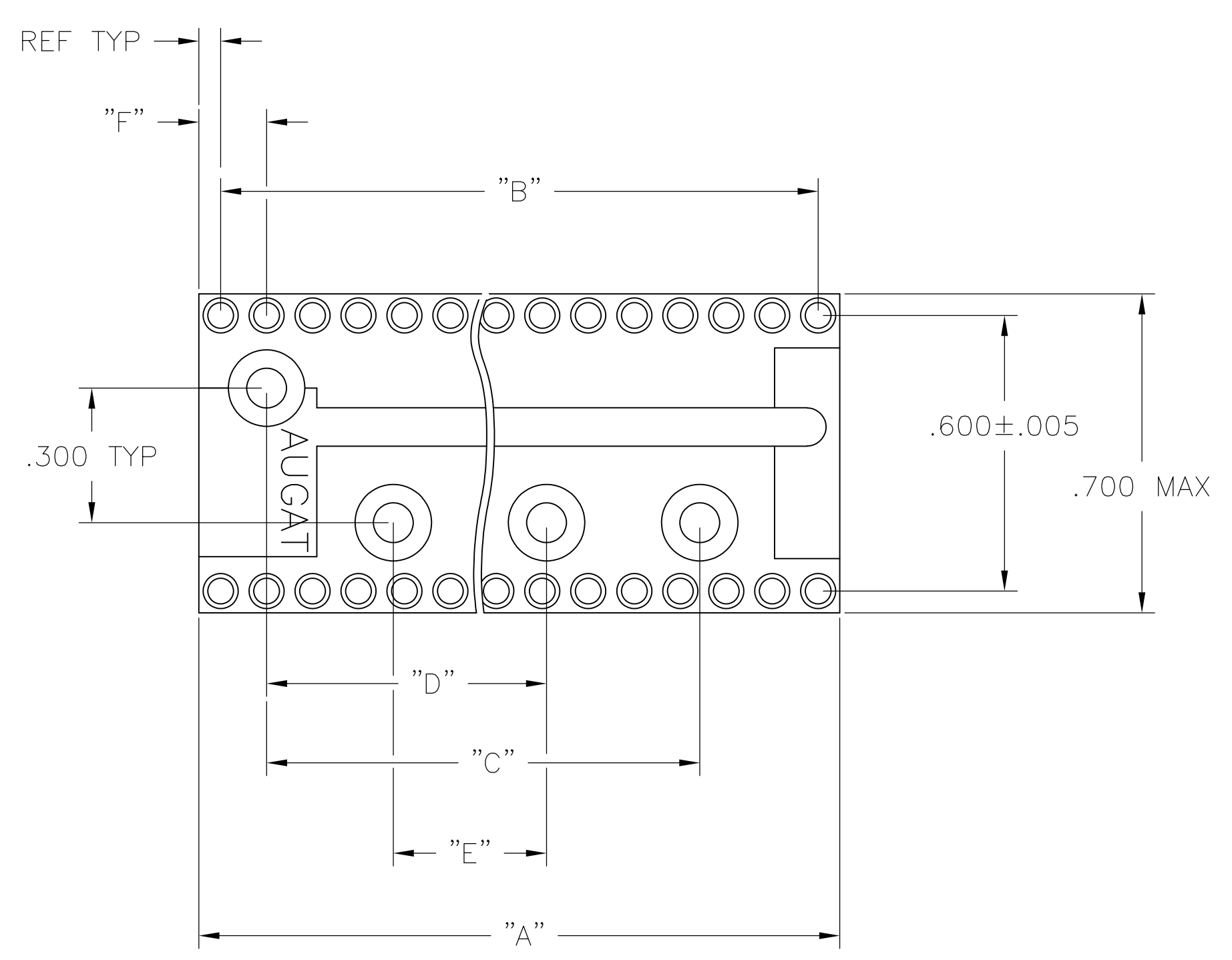


FIG. 2

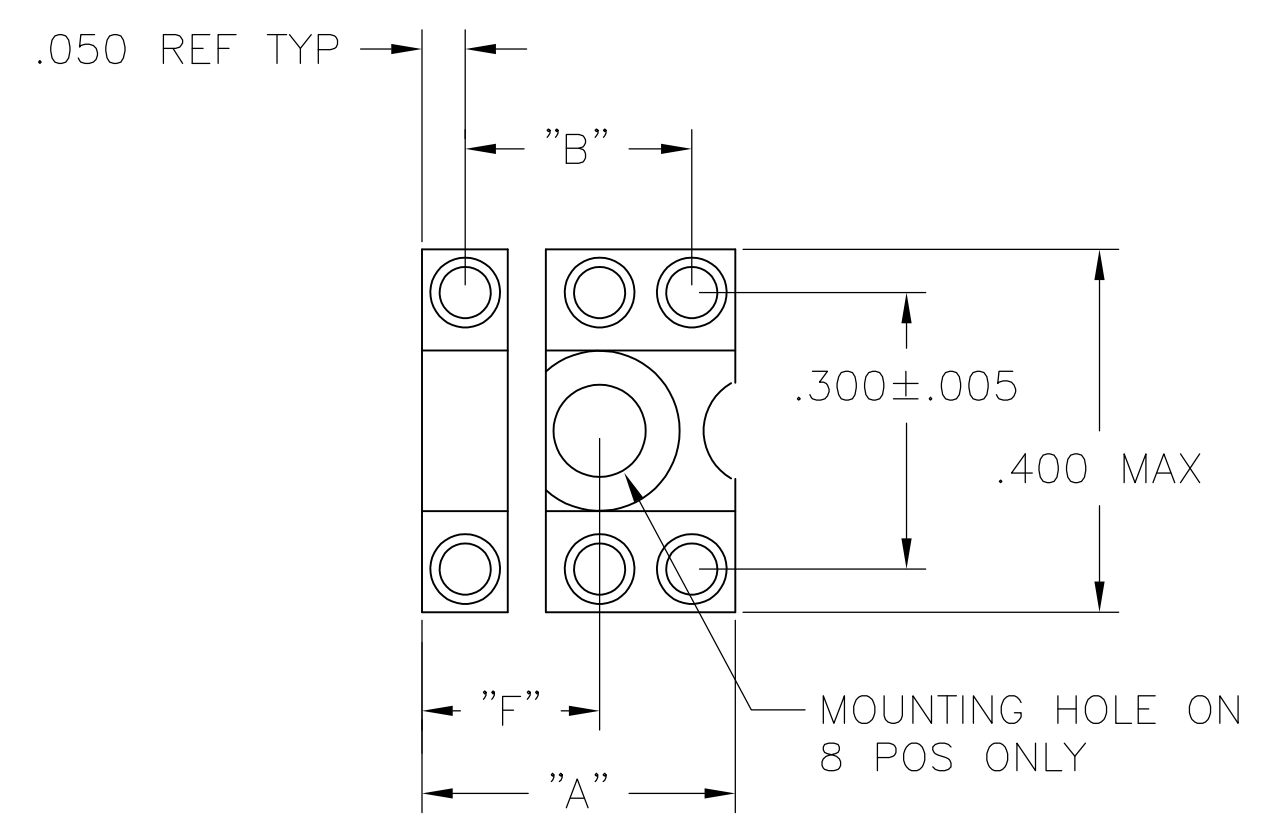


FIG. 3

6 POS MOUNTING HOLE OMITTED

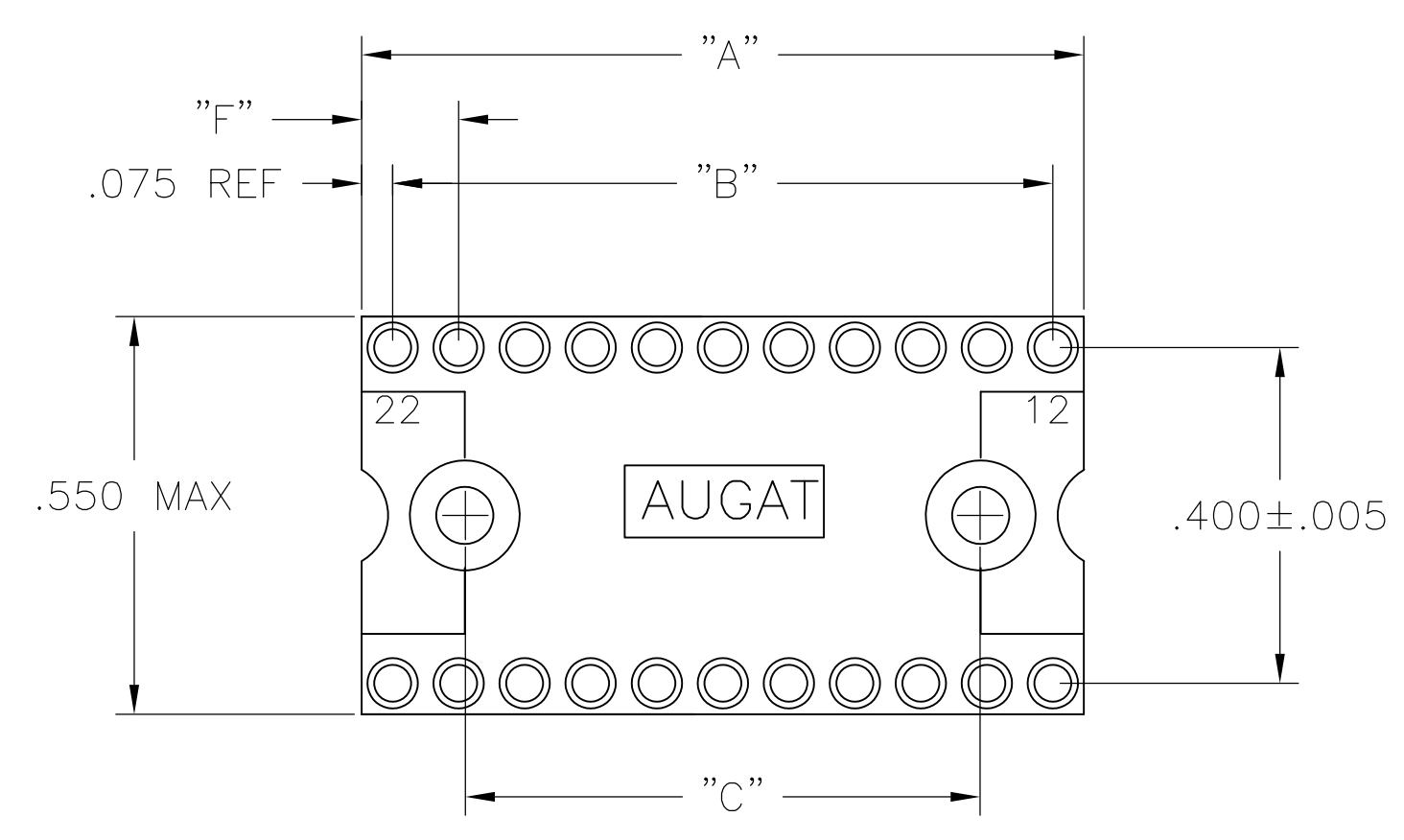
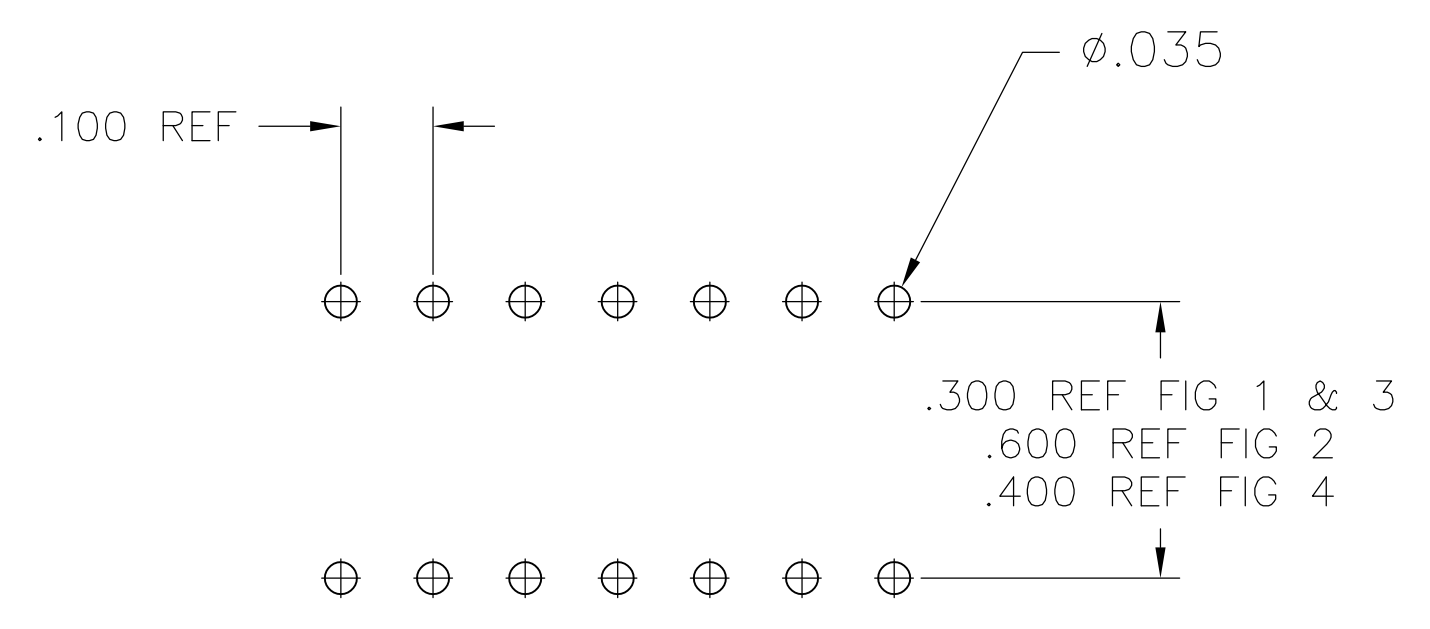
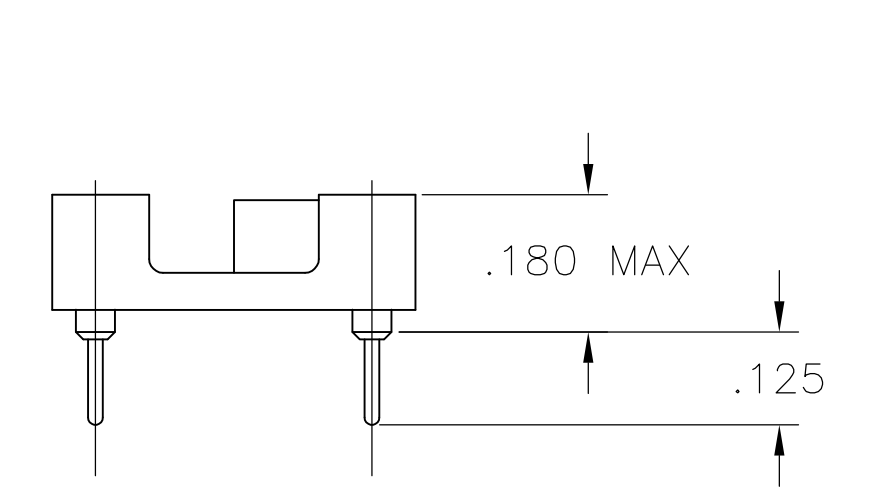
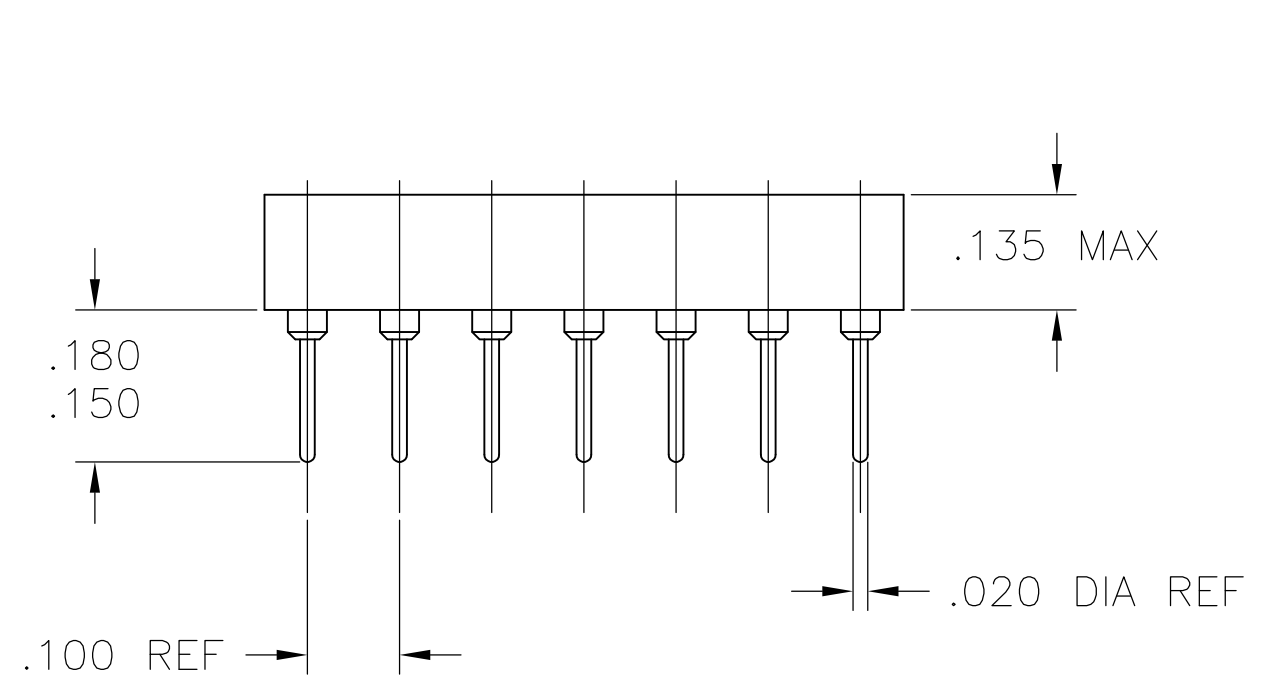


FIG. 4



P.C.B. HOLE LAYOUT
TOLERANCE ±.003

- 1. INSULATOR MATERIAL - THERMOPLASTIC POLYESTER, PCT, BLACK, UL94 V-0.
- 2. MACHINED CONTACT - BECU, PLATED WITH 80-200 μ IN THK, TIN (LEAD FREE) OVER 75-100 μ IN THK COPPER.
- 3. SLEEVE - COPPER, PLATED WITH 180-340 μ IN THK TIN (LEAD FREE) OVER 75-100 μ IN THK NICKEL.
- 4. MACHINED CONTACT - BECU, PLATED WITH 25 μ IN MIN. GOLD OVER 30-100 NICKEL.
- 5. ELECTRICAL:
 CONTACT RESISTANCE: 10 MILLIOHMS MAX
 CONTACT RATING: 3 AMPS
 CAPACITANCE: 1.0 pF PER MIL-STD-202, METHOD 305
 INSULATION RESISTANCE: 5000 MΩ MIN @ 500 VDC PER EIA-364-21
 DIELECTRIC WITHSTANDING VOLTAGE: 1000 VOLTS (RMS) PER EIA-364-20
- 6. MECHANICAL:
 AFTER INSERTION FORCE: 134 GRAMS AVG
 AFTER WITHDRAWAL FORCE: 63 GRAMS AVG
 ACCEPTS IC PIN-.009"x.015" THROUGH .011"x.020", OR .016" TO .021" DIAMETER, .150/.105 LONG
- 7. ENVIRONMENTAL:
 OPERATING TEMPERATURE: -55°C TO -105°C

FINISH	FIG	F	E	D	C	B	"A" MAX	NO. OF POSN	PART NO.
△3 △4	4	.150	-	-	.900	1.100	1.200	24	3-1571550-3
△3 △4	2	.150	.500	.900	1.500	1.900	2.000	40	3-1571550-2
△3 △4	2	.150	.500	.900	1.500	1.700	1.800	36	3-1571550-1
△3 △4	2	.150	.500	.900	-	1.500	1.600	32	3-1571550-0
△3 △4	2	.150	.500	.900	-	1.300	1.400	28	2-1571550-9
△3 △4	2	.150	.500	.900	-	1.100	1.200	24	2-1571550-8
△3 △4	4	.175	-	-	.800	1.000	1.150	22	2-1571550-7
△3 △4	1	.250	-	-	.500	.900	1.000	20	2-1571550-6
△3 △4	1	.150	-	-	.600	.800	.900	18	2-1571550-5
△3 △4	1	.150	-	-	.500	.300	.800	16	2-1571550-4
△3 △4	1	.150	-	-	.400	.600	.700	14	2-1571550-3
△3 △4	3	.200	-	-	-	.300	.400	8	2-1571550-2
△3 △4	3	-	-	-	-	.200	.300	6	2-1571550-1
△2 △3	4	.150	-	-	.900	1.100	1.200	24	1-1571550-3
△2 △3	2	.150	.500	.900	1.500	1.900	2.000	40	1-1571550-2
△2 △3	2	.150	.500	.900	1.500	1.700	1.800	36	1-1571550-1
△2 △3	2	.150	.500	.900	-	1.500	1.600	32	1-1571550-0
△2 △3	2	.150	.500	.900	-	1.300	1.400	28	1571550-9
△2 △3	2	.150	.500	.900	-	1.100	1.200	24	1571550-8
△2 △3	4	.175	-	-	.800	1.000	1.150	22	1571550-7
△2 △3	1	.250	-	-	.500	.900	1.000	20	1571550-6
△2 △3	1	.150	-	-	.600	.800	.900	18	1571550-5
△2 △3	1	.150	-	-	.500	.300	.800	16	1571550-4
△2 △3	1	.150	-	-	.400	.600	.700	14	1571550-3
△2 △3	3	.200	-	-	-	.300	.400	8	1571550-2
△2 △3	3	-	-	-	-	.200	.300	6	1571550-1

THIS DRAWING IS A CONTROLLED DOCUMENT. TOLERANCES UNLESS OTHERWISE SPECIFIED:

DIMENSIONS: INCHES	0. PLC ± -	1. PLC ± -	2. PLC ± -	3. PLC ± .005	4. PLC ± -	ANGLES ± -
--------------------	------------	------------	------------	---------------	------------	------------

MATERIAL: FINISH:

THIS DRAWING IS A CONTROLLED DOCUMENT.	DIN T. KRAYBILL 080CT03	CHK K. WRIGHT	NAME
APVD K. WRIGHT	PRODUCT SPEC	APPLICATION SPEC	SIZE
WEIGHT	CAGE CODE	DRAWING NO	RESTRICTED TO
CUSTOMER DRAWING	SCALE 4:1	SHEET 1 OF 1	REV B2

STE TE Connectivity

CLOSED FRAME DIP, PREMIUM LEAD FREE (REF AUGAT 500 SERIES) PREMIUM (MACHINED CONTACT)

SIZE A1 00779 1571550