



Chipsmall Limited consists of a professional team with an average of over 10 year of expertise in the distribution of electronic components. Based in Hongkong, we have already established firm and mutual-benefit business relationships with customers from,Europe,America and south Asia,supplying obsolete and hard-to-find components to meet their specific needs.

With the principle of “Quality Parts,Customers Priority,Honest Operation,and Considerate Service”,our business mainly focus on the distribution of electronic components. Line cards we deal with include Microchip,ALPS,ROHM,Xilinx,Pulse,ON,Everlight and Freescale. Main products comprise IC,Modules,Potentiometer,IC Socket,Relay,Connector.Our parts cover such applications as commercial,industrial, and automotives areas.

We are looking forward to setting up business relationship with you and hope to provide you with the best service and solution. Let us make a better world for our industry!



Contact us

Tel: +86-755-8981 8866 Fax: +86-755-8427 6832

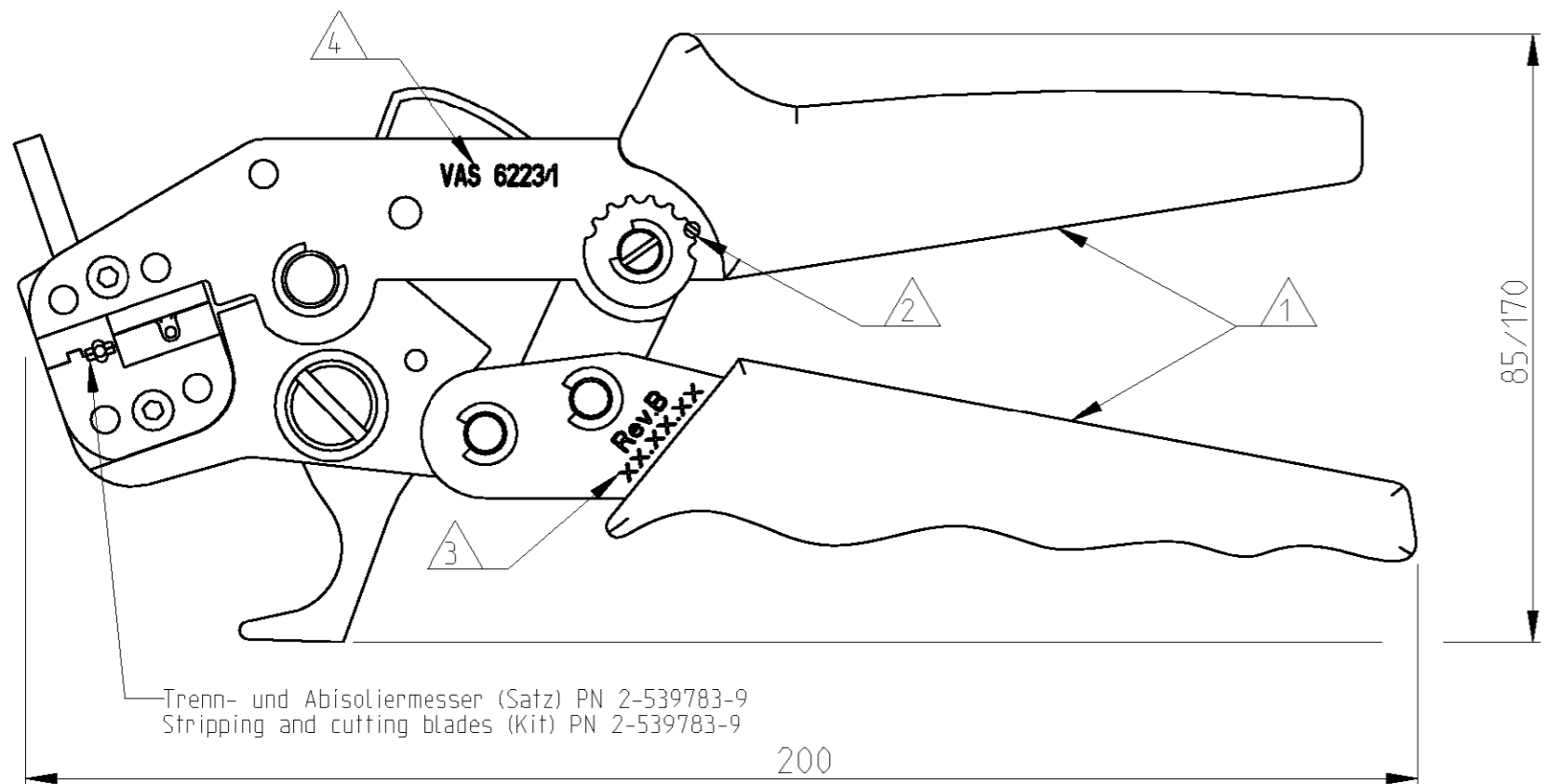
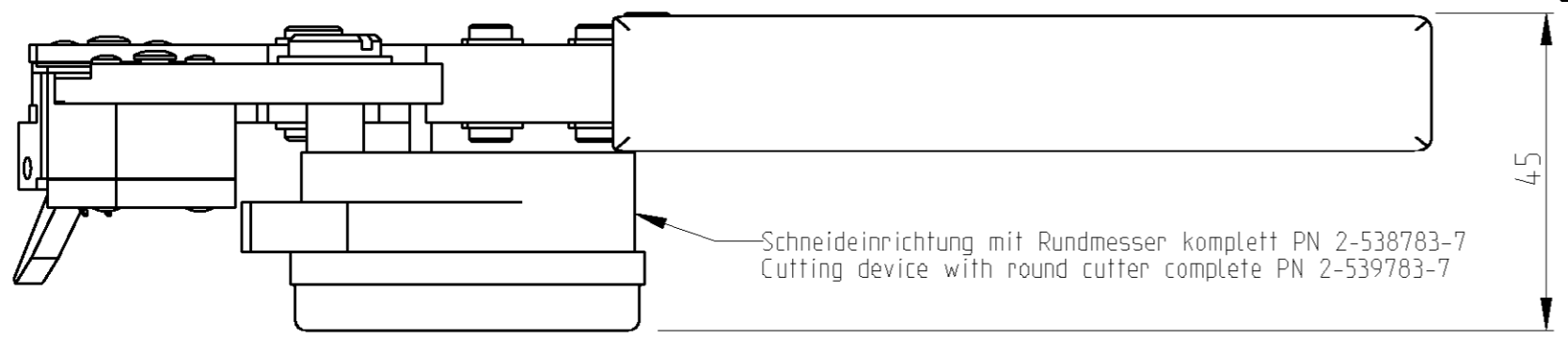
Email & Skype: info@chipsmall.com Web: www.chipsmall.com

Address: A1208, Overseas Decoration Building, #122 Zhenhua RD., Futian, Shenzhen, China



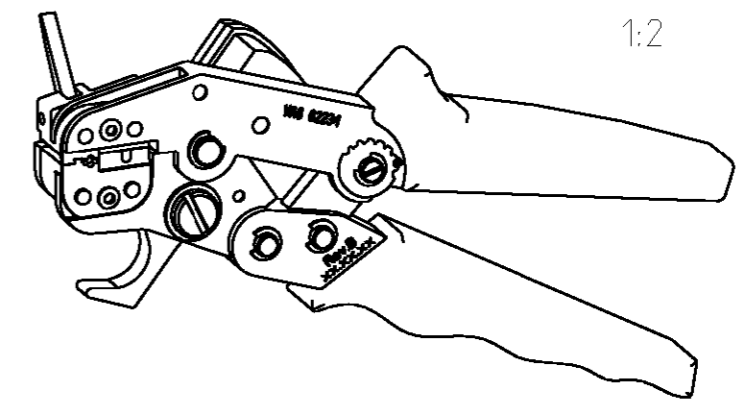
THIS DRAWING IS UNPUBLISHED. RELEASED FOR PUBLICATION 2002
 © COPYRIGHT 2002 BY TYCO ELECTRONICS CORPORATION. ALL RIGHTS RESERVED.

LOC	DIST	REVISIONS					
A1	-	P	LTR	DESCRIPTION	DATE	DWN	APVD
			B	EG00-0306-03	30JAN2003	witt	-



Bedienungsanleitung-Nr. 411-18256
 Instruction sheet No. 411-18256

Für Lichtwellenleiter Ø 2,3 mm nach Spezifikation 108-18673
 For plastic optical fiber cord MOST according to 108-18673



- 1 Grifffarbe blau
Grip colour blue
- 2 Mit Siegellack gesichert
With sealing wax assured
- 3 Produktionsdatum und Revisionsstand
Production data and revision record
- 4 VW/AUDI Sachnummer
VW/AUDI code number Tyco Part Number and revision record
- 5 Handzange mit bedienungsanleitung in Karton verpackt
Hand tool with instruction sheet in a cardboard box packed

ONLY FOR CUSTOMER VW/AUDI

<small>THIS DRAWING IS A CONTROLLED DOCUMENT FOR TYCO ELECTRONICS CORPORATION IT IS SUBJECT TO CHANGE AND THE CONTROLLING ENGINEERING ORGANIZATION SHOULD BE CONTACTED FOR THE LATEST REVISION.</small>		DWN Ch.Witt	30JAN2003		tyco Electronics AMP GmbH		
DIMENSIONS: mm 		CHK	-		D - 64625 Bensheim		
TOLERANCES UNLESS OTHERWISE SPECIFIED: 0 PLC ± 1 PLC ± 2 PLC ± 3 PLC ± 4 PLC ± ANGLES ±°		APVD	-	NAME			
MATERIAL		PRODUCT SPEC		HAND TOOL MOST STRIP AND CUT			
FINISH		APPLICATION SPEC		Handzange MOST Schneiden und Abisolieren			
		WEIGHT	-	SIZE	CAGE CODE	DRAWING NO	RESTRICTED TO
		CUSTOMER DRAWING		A3	00779	©=1-1579002-7	-
		SCALE		1:1	SHEET 1 OF 1		REV B