



Chipsmall Limited consists of a professional team with an average of over 10 year of expertise in the distribution of electronic components. Based in Hongkong, we have already established firm and mutual-benefit business relationships with customers from,Europe,America and south Asia,supplying obsolete and hard-to-find components to meet their specific needs.

With the principle of “Quality Parts,Customers Priority,Honest Operation,and Considerate Service”,our business mainly focus on the distribution of electronic components. Line cards we deal with include Microchip,ALPS,ROHM,Xilinx,Pulse,ON,Everlight and Freescale. Main products comprise IC,Modules,Potentiometer,IC Socket,Relay,Connector.Our parts cover such applications as commercial,industrial, and automotives areas.

We are looking forward to setting up business relationship with you and hope to provide you with the best service and solution. Let us make a better world for our industry!



Contact us

Tel: +86-755-8981 8866 Fax: +86-755-8427 6832

Email & Skype: info@chipsmall.com Web: www.chipsmall.com

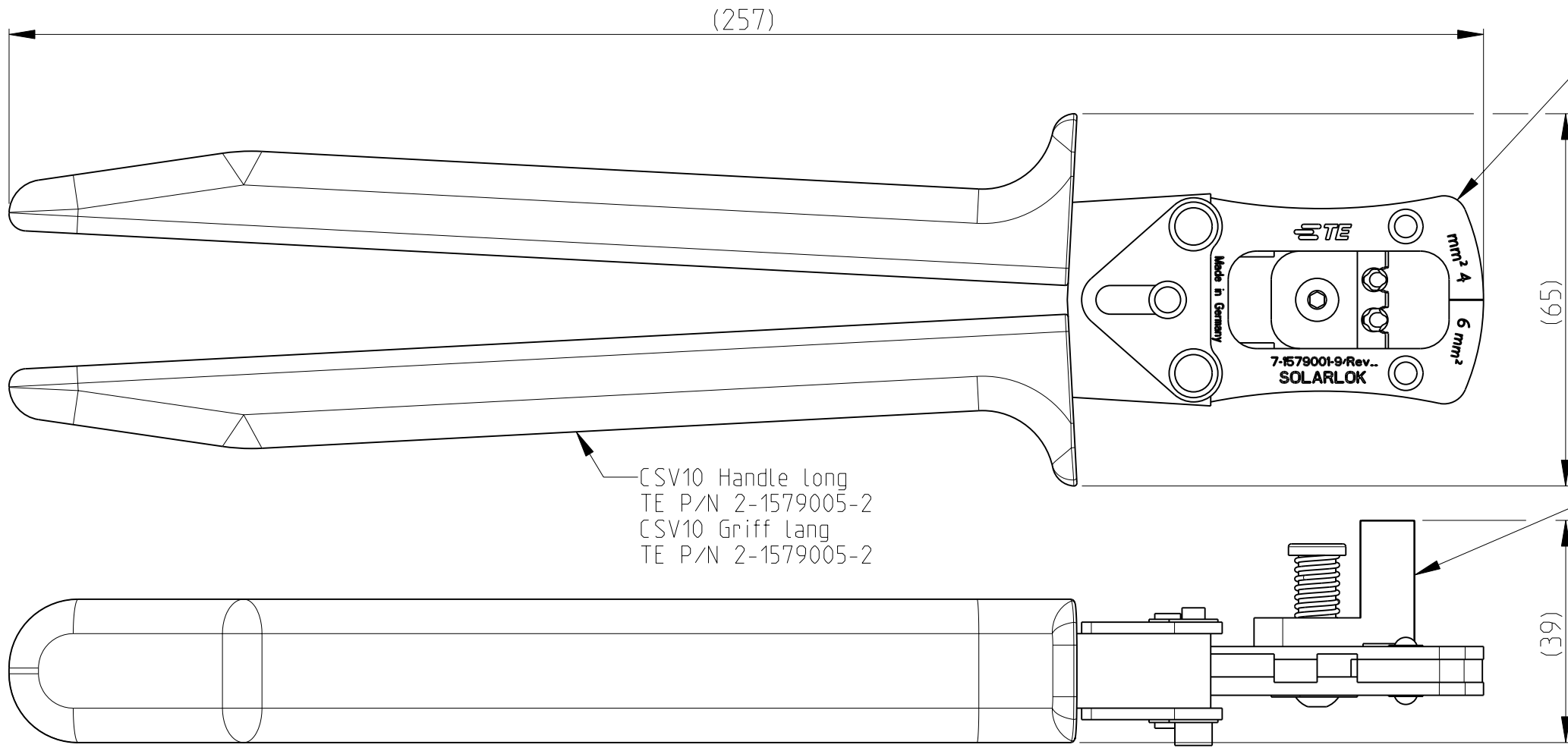
Address: A1208, Overseas Decoration Building, #122 Zhenhua RD., Futian, Shenzhen, China



THIS DRAWING IS UNPUBLISHED.
 VERTRAULICHE UNVERÖFFENTLICHTE ZEICHNUNG
 © COPYRIGHT 2011 Tyco Electronics AMP GmbH
 RELEASED FOR PUBLICATION
 FREI FUER VERÖFFENTLICHUNG
 - - 2011
 ALL RIGHTS RESERVED.
 ALLE RECHTE VORBEHALTEN.

LOC	DIST	REVISIONS					
AI	-	AENDERUNGEN					
PROJEKT NR.:		P	LTR	DESCRIPTION	DATE	DWN	APVD
				BESCHREIBUNG			
			A	EGC0-0065-04	06JUL2004	RK	UM
			B	ECR-09-019497	01SEP2009	wi	wi
			B1	ECR-11-022673	08NOV2011	RN	CW

CSV10 HAND TOOL FOR SOLARLOK CONTACTS 4 AND 6 mm²
 CSV10 HANDZANGE FUER SOLARLOK-KONTAKTE 4 UND 6 mm²



CSV10 Crimp Head Solarlok
 TE P/N 7-1579001-9
 included contact locator
 CSV10 Crimpkopf Solarlok
 TE P/N 7-1579001-9
 inklusive Kontaktpositionierer

CSV10 Handle long
 TE P/N 2-1579005-2
 CSV10 Griff lang
 TE P/N 2-1579005-2


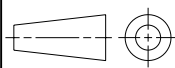
Contact locator TE P/N 2-1579015-6
 as spare part available
 Kontaktpositionierer TE P/N 2-1579015-6
 als Ersatzteil erhaeltlich

Griff CSV10 Handles CSV10	Crimpkopf CSV10 Crimping Head CSV10	Kontakt P/N Contact P/N	Drahtgroesse Wire Range mm ²	Crimphoehe Crimp height	Crimpbreite Crimp width
2-1579005-2	7-1579001-9	5-1105300-1 / 5-1105301-1	4,0	*	*
		7-1105300-2 / 7-1105301-2	6,0	*	*

* Crimpdata according to application specification 114-94061 (subject to technical modifications)
 Crimpdaten nach Verarbeitungsspezifikation 114-94061 (Aenderungen vorbehalten)

Instruction sheet 411-18315
 Bedienungsanleitung 411-18315

Weight: 425 g
 Gewicht: 425 g

THIS DRAWING IS A CONTROLLED DOCUMENT. DIESE ZEICHNUNG IST EIN KONTROLLIERTES DOKUMENT.		DWN Klawonn	06JUL2004	 TE Connectivity	
DIMENSIONS: MASSEINHEITEN: mm		CHK	-		
TOLERANCES UNLESS OTHERWISE SPECIFIED: ALLGEMEINTOLERANZEN		APVD	-	NAME CSV10 HANDTOOL SOLARLOK 4 AND 6 SQMM CSV10 Handzange Solarlok 4 und 6 qmm	
		PRODUCT SPEC PRODUKTSPEZ.	-	SIZE A3	
MATERIAL		APPLICATION SPEC VERARBEITUNGSSPEZ.	-	CAGE CODE 00779	DRAWING NO. ZEICHNUNGS-NR. G-1-1579004-2
FINISH/OBERFLAECHE/FARBE		WEIGHT GEWICHT	425 g	RESTRICTED TO NUR FUER	-
		CUSTOMER DRAWING		/KUNDENZEICHNUNG	SCALE MASSSTAB 1:1
				SHEET BLATT 1	OF VON 1
				REV B1	