



Chipsmall Limited consists of a professional team with an average of over 10 year of expertise in the distribution of electronic components. Based in Hongkong, we have already established firm and mutual-benefit business relationships with customers from,Europe,America and south Asia,supplying obsolete and hard-to-find components to meet their specific needs.

With the principle of “Quality Parts,Customers Priority,Honest Operation,and Considerate Service”,our business mainly focus on the distribution of electronic components. Line cards we deal with include Microchip,ALPS,ROHM,Xilinx,Pulse,ON,Everlight and Freescale. Main products comprise IC,Modules,Potentiometer,IC Socket,Relay,Connector.Our parts cover such applications as commercial,industrial, and automotives areas.

We are looking forward to setting up business relationship with you and hope to provide you with the best service and solution. Let us make a better world for our industry!



## Contact us

Tel: +86-755-8981 8866 Fax: +86-755-8427 6832

Email & Skype: info@chipsmall.com Web: www.chipsmall.com

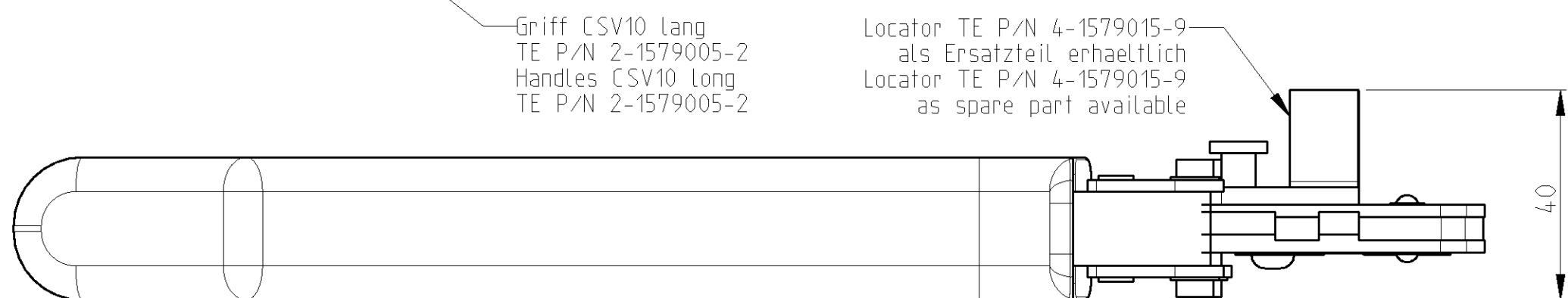
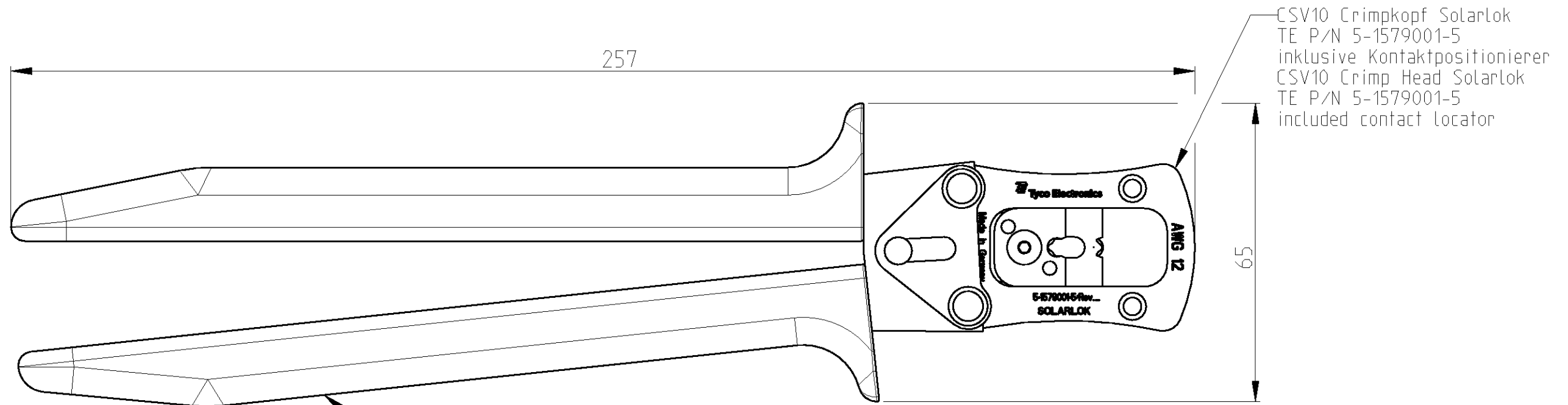
Address: A1208, Overseas Decoration Building, #122 Zhenhua RD., Futian, Shenzhen, China



THIS DRAWING IS UNPUBLISHED. RELEASED FOR PUBLICATION 2008  
 © COPYRIGHT 2008 BY TYCO ELECTRONICS CORPORATION. ALL RIGHTS RESERVED.

LOC	DIST	REVISIONS			
P	LTR	DESCRIPTION	DATE	DWN	APVD
	B	ECR-08-003823	13FEB2008	wi	wi
	C	ECR-09-019497	02SEP2009	wi	wi

CSV10 HAND TOOL FOR SOLARLOK CONTACTS AWG 12  
 CSV10 HANDZANGE FUER SOLARLOK-KONTAKTE AWG 12



Griff CSV10 Handles CSV10	Crimpkopf CSV10 Crimping Head CSV10	Kontakt P/N Contact P/N	Drahtgrosse Wire Range AWG	Crimphoehe Crimp height mm	Crimpbreite Crimp width mm
2-1579015-2	5-1579001-5	5-1105300-1	AWG 12	*	*
		5-1105301-1	AWG 12	*	*

\* Crimpdaten nach Verarbeitungsspezifikation 114-74013 (Aenderungen vorbehalten)  
 Crimp data according to application specification 114-74013 (subject to technical modifications)

<small>THIS DRAWING IS A CONTROLLED DOCUMENT FOR TYCO ELECTRONICS CORPORATION IT IS SUBJECT TO CHANGE AND THE CONTROLLING ENGINEERING ORGANIZATION SHOULD BE CONTACTED FOR THE LATEST REVISION.</small>		DWN	13FEB2008	Tyco Electronics AMP GmbH 64625 Bensheim (Germany)	
DIMENSIONS: mm 		CHK	-	NAME	
TOLERANCES UNLESS OTHERWISE SPECIFIED: 0 PLC ± 1 PLC ± 2 PLC ± 3 PLC ± 4 PLC ± ANGLES ±1°		APVD	-	CSV10 HAND TOOL FOR SOLARLOK AWG 12 CSV10 Handzange fuer Solarlok AWG 12	
MATERIAL - FINISH -		PRODUCT SPEC	-	SIZE	RESTRICTED TO
		APPLICATION SPEC	-	CAGE CODE	
		WEIGHT	425 g	DRAWING NO	
		CUSTOMER DRAWING		00779	
		SCALE		1:1	
		SHEET		1	OF 1
		REV		C	