



Chipsmall Limited consists of a professional team with an average of over 10 year of expertise in the distribution of electronic components. Based in Hongkong, we have already established firm and mutual-benefit business relationships with customers from,Europe,America and south Asia,supplying obsolete and hard-to-find components to meet their specific needs.

With the principle of "Quality Parts,Customers Priority,Honest Operation,and Considerate Service",our business mainly focus on the distribution of electronic components. Line cards we deal with include Microchip,ALPS,ROHM,Xilinx,Pulse,ON,Everlight and Freescale. Main products comprise IC,Modules,Potentiometer,IC Socket,Relay,Connector.Our parts cover such applications as commercial,industrial, and automotives areas.

We are looking forward to setting up business relationship with you and hope to provide you with the best service and solution. Let us make a better world for our industry!



## Contact us

Tel: +86-755-8981 8866 Fax: +86-755-8427 6832

Email & Skype: info@chipsmall.com Web: www.chipsmall.com

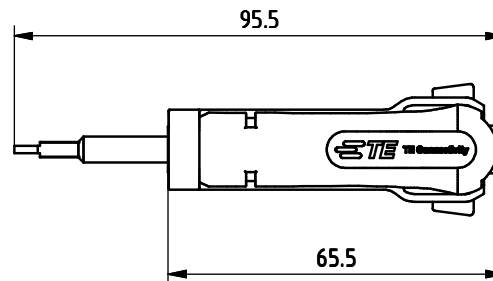
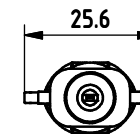
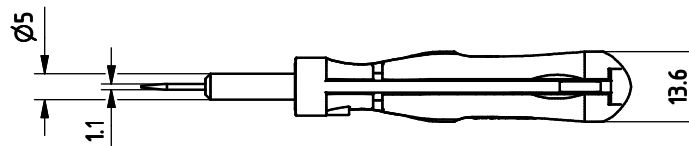
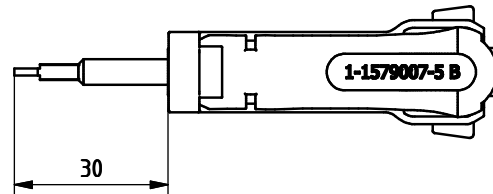
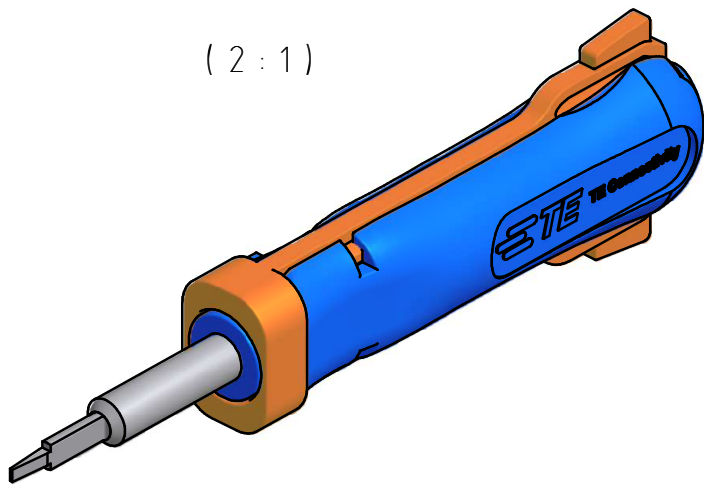
Address: A1208, Overseas Decoration Building, #122 Zhenhua RD., Futian, Shenzhen, China



THIS DRAWING IS UNPUBLISHED. RELEASED FOR PUBLICATION  
 © COPYRIGHT - BY TYCO ELECTRONICS CORPORATION. ALL INTERNATIONAL RIGHTS RESERVED.

LOC	DIST	REVISIONS			
P	LTR	DESCRIPTION	DATE	DWN	APVD
AI	00	B	ECR-11-012097	10JUN11	LS GS

(2:1)



<b>THIS DRAWING IS A CONTROLLED DOCUMENT.</b>		DWN J. Zajicek 24MAR05	<b>STE</b> TE Connectivity	
DIMENSIONS: mm		CHK J. Zajicek 09AUG10		
TOLERANCES UNLESS OTHERWISE SPECIFIED:		APVD J. Zajicek 09AUG10	NAME EXTRACTION TOOL Entriegelungswerkzeug	
<ul style="list-style-type: none"> <li>0 PLC    +++</li> <li>1 PLC    ++</li> <li>2 PLC    +</li> <li>3 PLC    ±</li> <li>4 PLC    -</li> </ul> ANGLES   ±		PRODUCT SPEC	RESTRICTED TO	
MATERIAL		APPLICATION SPEC	SIZE A3	CAGE CODE 00779
FINISH		Gewicht / Weight in Kg 0,014	DRAWING NO C= 1-1579007-5	
CUSTOMER DRAWING			SCALE 1:1	SHEET 1 of 1
			REV B	