



Chipsmall Limited consists of a professional team with an average of over 10 year of expertise in the distribution of electronic components. Based in Hongkong, we have already established firm and mutual-benefit business relationships with customers from,Europe,America and south Asia,supplying obsolete and hard-to-find components to meet their specific needs.

With the principle of “Quality Parts,Customers Priority,Honest Operation,and Considerate Service”,our business mainly focus on the distribution of electronic components. Line cards we deal with include Microchip,ALPS,ROHM,Xilinx,Pulse,ON,Everlight and Freescale. Main products comprise IC,Modules,Potentiometer,IC Socket,Relay,Connector.Our parts cover such applications as commercial,industrial, and automotives areas.

We are looking forward to setting up business relationship with you and hope to provide you with the best service and solution. Let us make a better world for our industry!



Contact us

Tel: +86-755-8981 8866 Fax: +86-755-8427 6832

Email & Skype: info@chipsmall.com Web: www.chipsmall.com

Address: A1208, Overseas Decoration Building, #122 Zhenhua RD., Futian, Shenzhen, China



DWG NO
C-1-1579008-6

PASSMASS	ABMASS

PROJECT NO.: M02-52305-010 USED ON

X 5:1

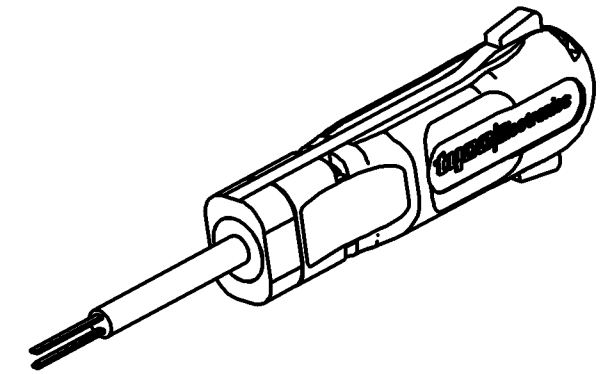
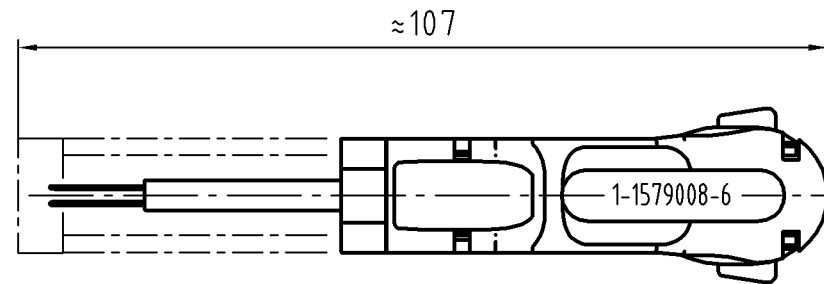
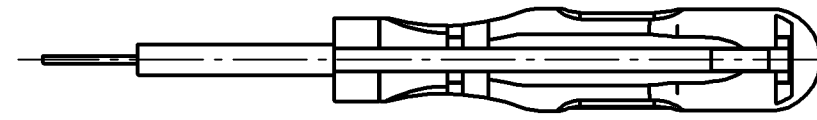
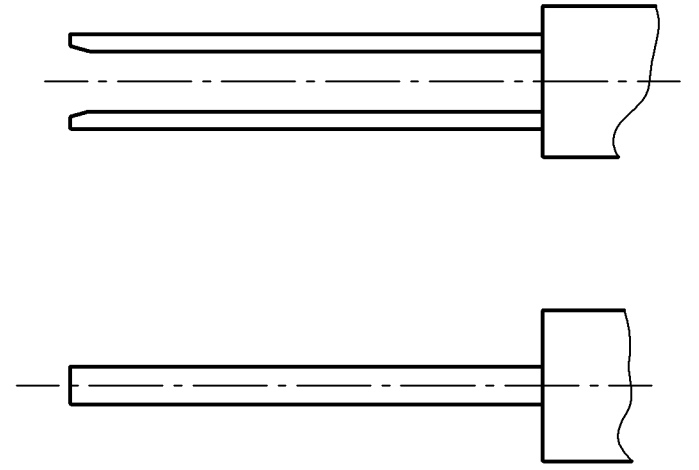
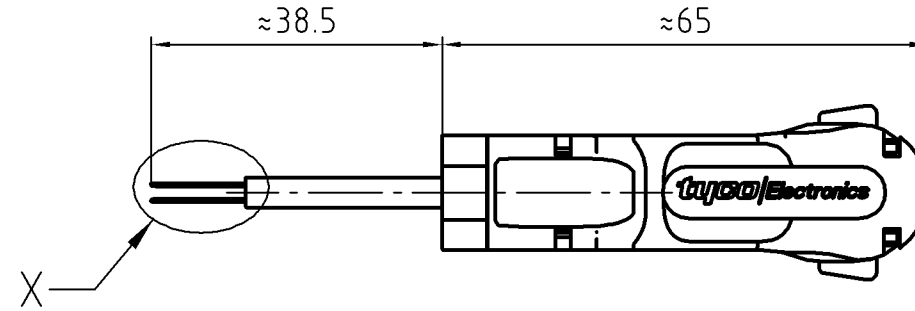
THIS DRAWING IS A CONTROLLED DOCUMENT FOR AMP. ANY CHANGES TO THIS DRAWING MUST BE APPROVED BY THE CONTROLLING ENGINEERING ORGANIZATION AND THE CONTROLLING ENGINEERING ORGANIZATION SHOULD BE CONTACTED FOR THE LATEST REVISION.

DIESES ZEICHNUNGSDOKUMENT WIRD DURCH AMP INCORPORATED KONTROLLIERT. WÄNDERUNGEN, DIE DER TECHNISCHEN FORTSCHRITTLICHEN SIND VORBEHALTEN. DEN JEWEILS LETZTGESETZTEN WÄNDERUNGSSTAND ERFAHREN SIE AUF ANFRAGE.

THIS INFORMATION IS CONFIDENTIAL AND IS DISCLOSED TO YOU BY AMP INCORPORATED. IT IS NOT TO BE REPRODUCED OR TRANSMITTED IN ANY FORM OR BY ANY MEANS, ELECTRONIC OR MECHANICAL, INCLUDING PHOTOCOPYING, RECORDING, OR BY ANY INFORMATION STORAGE AND RETRIEVAL SYSTEM, WITHOUT THE WRITTEN AUTHORIZATION FROM AMP INCORPORATED. D - 63225 LANGEN

PROCESSABLE TE PRODUCTS / Verarbeitbare TE Produkte:

DESCRIPTION / Bezeichnung: DUAC
 TERMINALS / Kontakte: 106528, 106529, 1-794138-3, 1-794141-3, 194139, 794142, 794418, 794421, 794140, 794143, 794576, 794577, 794576, 794578, 794579
 HOUSING / Gehäuse: 106527, 794657, 794542, 794550, 794594, 794598



FREI-MASSTOLERANZEN NACH DIN 7168 (WERTE IN MM)

NENNMASS-BEREICH 1)	0,5	3	6	30	120	400
BIS	3	6	30	120	400	1000
LÄNGEN-MASS- FEIN	±0,05	±0,05	±0,1	±0,15	±0,2	±0,3
MASSE MITTEL	±0,1	±0,1	±0,2	±0,3	±0,5	±0,8
RADIEN U. FASEN	±0,2	±0,5	±1	±2	±4	±4
WINKELABMASSE 1) 2)	±1'	±1'	±30'	±20'	±10'	±5'

GENERAL TOLERANCES ACC. TO DIN 7168 (VALUES IN MM)

TEIL IM BEREICH X... MIT PN; STRICH-NR. (-1 WIE GEZ.), REVISION-STAND UND LIEFERANTENSYMBOL GEKENNZEICHNET	-	-	-	-	-
PART TO BE MARKED WITH PN; DASH NO. (-1 AS SHOWN), REV. STATUS AND VENDORS MARK IN AREA X...	-	-	-	-	-
OBERFLÄCHENVERGLEICHSTABELLE					
DIN 3141 R3	▽	▽▽	▽▽▽	▽▽▽▽	▽▽▽▽▽
R _a in µm	6,3	1,6	0,4	0,1	12,5
DIN ISO 1302	√	√	√	√	√
ALLE UNBEMASSTE KANTEN 0,2x45° ENTGRÄTET					
REMOVE BURRS, BREAK SHARP EDGES 0,2x45°					

LOC	AI	DIST	B	ECR-06-029850	20.12.2006	GS	ML
			P	LTR	REVISION RECORD	DATE	DWN APVD

FINISH	DWN	14.01.2008	MATERIAL	HEAT TREAT
DIMENSIONS: mm	M. Delp	14.01.2008		
TOLERANCES UNLESS OTHERWISE SPECIFIED: n. ISO 8015 n. ISO 2768 - mH - E n. DIN 18901 - 140	G. Stegmayer	14.01.2008	Tyco Electronics Tyco Electronics AMP GmbH 64625 Bensheim (Germany)	
0 PLC ± 1 PLC ± 2 PLC ± 3 PLC ± 4 PLC ±	G. Stegmayer			
ANGLES	NAME EXTRACTION TOOL Entriegelungswerkzeug			
SURFACE TEXTURE	SCALE	1:1	SIZE	A3

DWN	14.01.2008	MATERIAL	HEAT TREAT
CHK	14.01.2008		
APVD	14.01.2008		
NAME	EXTRACTION TOOL Entriegelungswerkzeug		
SCALE	1:1	SIZE	A3
DRAWING NO	C-1-1579008-6	SHEET	1 OF 1
REV	B		