



Chipsmall Limited consists of a professional team with an average of over 10 year of expertise in the distribution of electronic components. Based in Hongkong, we have already established firm and mutual-benefit business relationships with customers from,Europe,America and south Asia,supplying obsolete and hard-to-find components to meet their specific needs.

With the principle of “Quality Parts,Customers Priority,Honest Operation,and Considerate Service”,our business mainly focus on the distribution of electronic components. Line cards we deal with include Microchip,ALPS,ROHM,Xilinx,Pulse,ON,Everlight and Freescale. Main products comprise IC,Modules,Potentiometer,IC Socket,Relay,Connector.Our parts cover such applications as commercial,industrial, and automotives areas.

We are looking forward to setting up business relationship with you and hope to provide you with the best service and solution. Let us make a better world for our industry!



Contact us

Tel: +86-755-8981 8866 Fax: +86-755-8427 6832

Email & Skype: info@chipsmall.com Web: www.chipsmall.com

Address: A1208, Overseas Decoration Building, #122 Zhenhua RD., Futian, Shenzhen, China



THIS DRAWING IS UNPUBLISHED.

RELEASED FOR PUBLICATION

© COPYRIGHT BY TYCO ELECTRONICS CORPORATION.

ALL INTERNATIONAL RIGHTS RESERVED.

LDC		DIST		REVISIONS			
P	LTR	DESCRIPTION		DATE	DWN	APVD	
	B	ECR-14-009929		03JUL14	KH	MD	

HAND TOOL KIT for AMP DUOPLUG 2.5 Mark II

Complete kit for IDC Connector AMP DUOPLUG 2.5 Mark II including type label on outer face of upper shell and customer manuals stored in upper shell behind inlay.


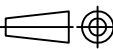
- △ 1 Included customer manuals in German (de) and English (en): see parts list Pos. 9
TE-PN: 744015-6
de: 412-94126
en: 412-94126-1

External dimensions (wxhxd): 400x320x100 mm
Weight: 3,5 kg


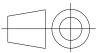
RAST-Handtool only for samples production and repair work, not released for regular production.

- △ 2 Only available with HAND TOOL KIT 1-1579012-1



THIS DRAWING IS A CONTROLLED DOCUMENT.		DWN K. Hotal 11JUN2014	 TE Connectivity		
DIMENSIONS: mm		CHK L. Bauer 11JUN2014			
TOLERANCES UNLESS OTHERWISE SPECIFIED:		APVD L. Bauer 11JUN2014	NAME HAND TOOL KIT , AMP DUOPLUG 2.5 MARK II		
		PRODUCT SPEC -	-		
MATERIAL		APPLICATION SPEC -	SIZE A3	CAGE CODE 00779	DRAWING NO C=1-1579012-1
FINISH		WEIGHT 3.500kg	RESTRICTED TO -		
CUSTOMER DRAWING			SCALE -	SHEET 1 OF 2	REV B

POS	QTY	TE/PN	REV	DESCRIPTION	S=Spare Parts W=Wear Parts	S	W
1	1	5-1579010-9	A	PLASTIC CASE INCL. FOAM INLAY, RAST HT		<input checked="" type="checkbox"/>	<input type="checkbox"/>
2	1	1-0871598-3	A	HEXAGON WRENCH SET		<input checked="" type="checkbox"/>	<input type="checkbox"/>
4	1	0-1490384-1	A	TABLE CLAMP TISCHKLEMME		<input checked="" type="checkbox"/>	<input type="checkbox"/>
5	1	0-0658170-2	A	ELECTR. SIDE CUTTER		<input checked="" type="checkbox"/>	<input type="checkbox"/>
6	1	0-0539601-3	A	FRONT CUTTER VORNSCHNEIDER		<input checked="" type="checkbox"/>	<input type="checkbox"/>
7	1	2-0519562-4	A	FIXING-ARM		<input checked="" type="checkbox"/>	<input type="checkbox"/>
8	1	1-0523204-7	A	KNIFE, SNAP-OFF BLADE, 165MM		<input checked="" type="checkbox"/>	<input type="checkbox"/>
9	1	0-0744015-5	A	IS412-94126, IDC HAND TOOL RAST 2.5 AND RAST 5		<input checked="" type="checkbox"/>	<input type="checkbox"/>

REMARKS: IDC HAND-TOOL KIT COMPLETE FOR AMP DUOPLUG 2.5 MARK II										USED ON					
P	LTR	REVISION RECORD	DATE	DWN	APVD	PRINTED 03JUL14	DWN K.HOLAL	11JUN14	CHK L.Bauer	11JUN14	APVD L.Bauer	11JUN14			
-	A	SEE SHEET 1	-	-	-	WEIGHT -	DIMENSION (mm)	-	MATERIAL	-	HT TR	-			
-	B	SEE SHEET 1	-	-	-	 TE Connectivity SPARE AND WEAR PARTS LIST									
-	-	-	-	-	-							 TOLERANCES UNLESS OTHERWISE SPECIFIED SEE SHEET 1		NAME HAND TOOL KIT, AMP DUOPLUG 2.5 MARK II	RESTRICTED TO -
-	-	-	-	-	-							SCALE SEE SHEET 1	SIZE A4	DRAWING NO C-1-1579012-1	SHEET 2/2
THIS DRAWING IS A CONTROLLED DOCUMENT FOR TYCO ELECTRONICS CORPORATION. IT IS SUBJECT TO CHANGE AND THE CONTROLLING ENGINEERING ORGANIZATION SHOULD BE CONTACTED FOR THE LATEST REVISION.						DIESES ZEICHNUNGSDOKUMENT WIRD DURCH TYCO ELECTRONICS CORPORATION KONTROLLIERT. ÄNDERUNGEN DIE DEM TECHNISCHEM FORTSCHRITT DIENEN, SIND VORBEHALTEN. DEN JEWEILS LETZTGÜLTIGEN ÄNDERUNGSSTAND ERFAHREN SIE AUF ANFRAGE									