



Chipsmall Limited consists of a professional team with an average of over 10 year of expertise in the distribution of electronic components. Based in Hongkong, we have already established firm and mutual-benefit business relationships with customers from,Europe,America and south Asia,supplying obsolete and hard-to-find components to meet their specific needs.

With the principle of “Quality Parts,Customers Priority,Honest Operation,and Considerate Service”,our business mainly focus on the distribution of electronic components. Line cards we deal with include Microchip,ALPS,ROHM,Xilinx,Pulse,ON,Everlight and Freescale. Main products comprise IC,Modules,Potentiometer,IC Socket,Relay,Connector.Our parts cover such applications as commercial,industrial, and automotives areas.

We are looking forward to setting up business relationship with you and hope to provide you with the best service and solution. Let us make a better world for our industry!



Contact us

Tel: +86-755-8981 8866 Fax: +86-755-8427 6832

Email & Skype: info@chipsmall.com Web: www.chipsmall.com

Address: A1208, Overseas Decoration Building, #122 Zhenhua RD., Futian, Shenzhen, China



DWG NO
C-1-1579018-4

PASSMASS	ABMASS

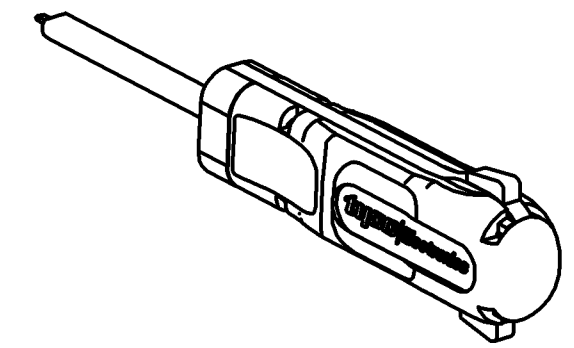
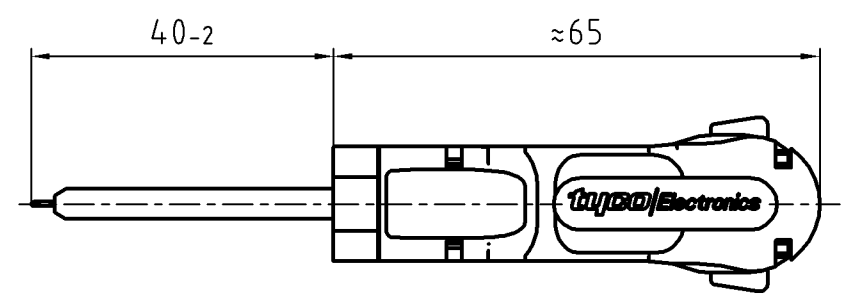
PROJECT NO.: M02-52305-010

USED ON

THIS DRAWING IS A CONTROLLED DOCUMENT FOR THE COMPANY'S INTERNAL USE ONLY. IT IS THE PROPERTY OF THE COMPANY AND THE CONTROLLING ENGINEERING ORGANIZATION SHOULD BE CONTACTED FOR THE LATEST REVISION.

DIESES ZEICHNUNGSDOKUMENT WIRD DURCH AMP INCORPORATED KONTROLLIERT. VERÄNDERUNGEN, DIE DEN TECHNISCHEN FORTSCHRITT DIENTEN, SIND VORBEHALTEN. DEN JEWEILS LETZTGESETZTEN ÄNDERUNGSSTAND ERFAHREN SIE AUF ANFRAGE.

THIS INFORMATION IS CONFIDENTIAL AND IS DISCLOSED TO YOU BY YOU TO OTHER THAN AMP PERSONNEL WITHOUT AUTHORIZATION FROM AMP INCORPORATED, D - 68225 LANGEN



CONTACT / Kontakt:

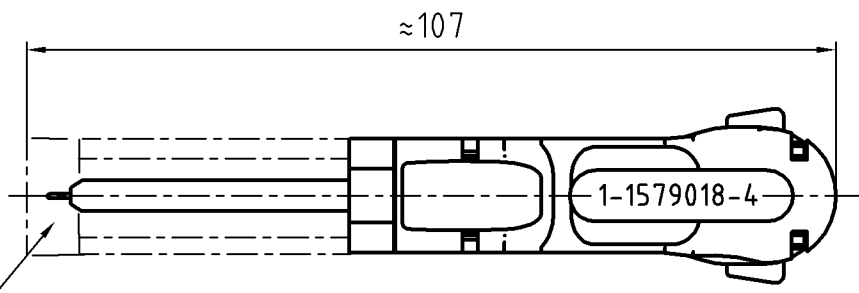
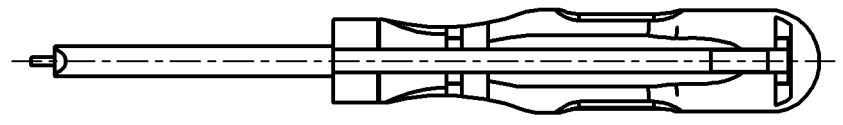
PN 1534116 MQS Cleanbody

HOUSING / Gehäuse:

PN 1534904

APPL.-SPEC. / Verarbeitungsspez.

114-18521-002



COVER SLIDE / Schutzschieber

FREIMASSTOLERANZEN NACH DIN 7168 (WERTE IN mm)
1) ABWEICHEND VON DIN 7168 2) LÄNGE DES KÜRZEREN SCHENKELS

NENNMASS- BEREICH 1)	OBER	0,5	3	6	30	120	400
BIS	3	6	30	120	400	1000	
LÄNGEN- MASSE	FEIN	±0,05	±0,05	±0,1	±0,15	±0,2	±0,3
MASSE	MITTEL	±0,1	±0,1	±0,2	±0,3	±0,5	±0,8
RADIEN U. FASEN		±0,2	±0,5	±1	±2	±4	±4
WINKELABMASSE 1) 2)		±1°	±1°	±30'	±20'	±10'	±5'

GENERAL TOLERANCES ACC. TO DIN 7168 (VALUES IN mm)
1) DEVIATING FROM DIN 7168 2) LENGTH OF SHORT ANGLE SIDE

TEIL IM BEREICH X... MIT PN, STRICH-NR. (-1 WIE GEZ.),
REVISION-STAND UND LIEFERANTENSYMBOL GEKENNZEICHNET
PART TO BE MARKED WITH PN, DASH NO. (-1 AS SHOWN),
REV. STATUS AND VENDORS MARK IN AREA X...

LOC	AI	DIST	

FINISH	DWN	07.02.2008	MATERIAL	12242	HEAT TREAT
DIMENSIONS: mm	M. Delp	07.02.2008	59CrV4		
TOLERANCES UNLESS OTHERWISE SPECIFIED: n. ISO 8015 n. ISO 2768 - mH - E n. DIN 16901 - 140	G. Stegmayer	07.02.2008	Tyco Electronics Tyco Electronics AMP GmbH 64625 Bensheim (Germany)		
0 PLC ± 1 PLC ± 2 PLC ± 3 PLC ± 4 PLC ±	G. Stegmayer		NAME EXTRACTION TOOL Entriegelungswerkzeug		
ANGLES	SCALE	1:1	SIZE	A3	DRAWING NO
SURFACE TEXTURE					C-1-1579018-4

Gewicht / Weight 0,000kg