



Chipsmall Limited consists of a professional team with an average of over 10 year of expertise in the distribution of electronic components. Based in Hongkong, we have already established firm and mutual-benefit business relationships with customers from,Europe,America and south Asia,supplying obsolete and hard-to-find components to meet their specific needs.

With the principle of “Quality Parts,Customers Priority,Honest Operation,and Considerate Service”,our business mainly focus on the distribution of electronic components. Line cards we deal with include Microchip,ALPS,ROHM,Xilinx,Pulse,ON,Everlight and Freescale. Main products comprise IC,Modules,Potentiometer,IC Socket,Relay,Connector.Our parts cover such applications as commercial,industrial, and automotives areas.

We are looking forward to setting up business relationship with you and hope to provide you with the best service and solution. Let us make a better world for our industry!



Contact us

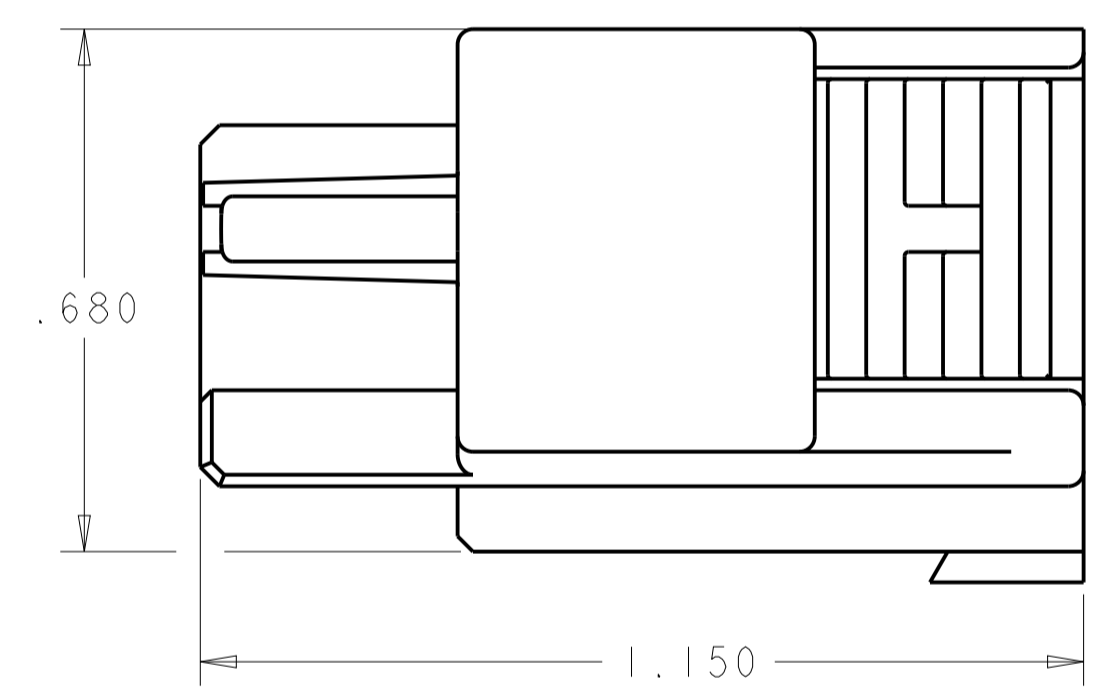
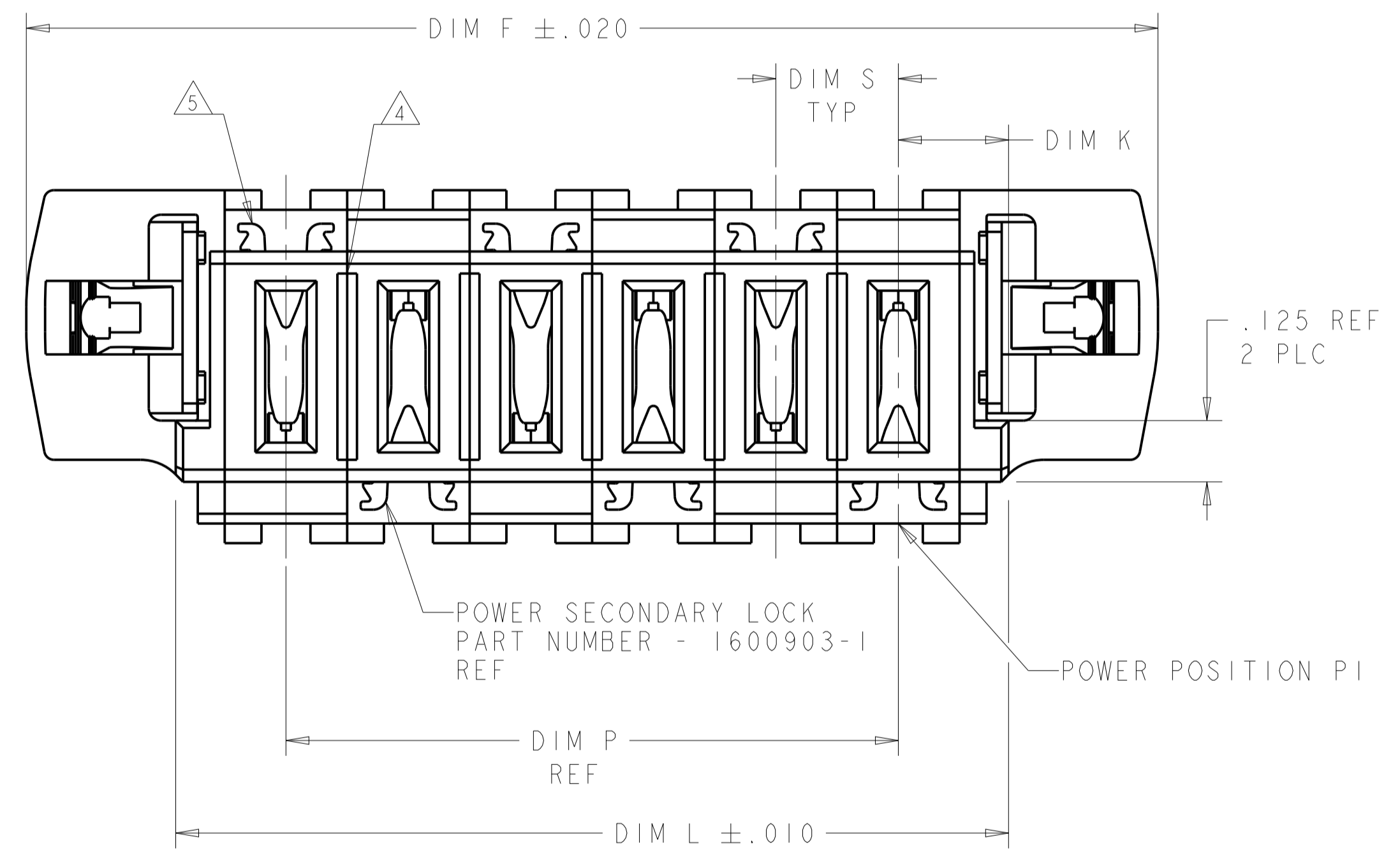
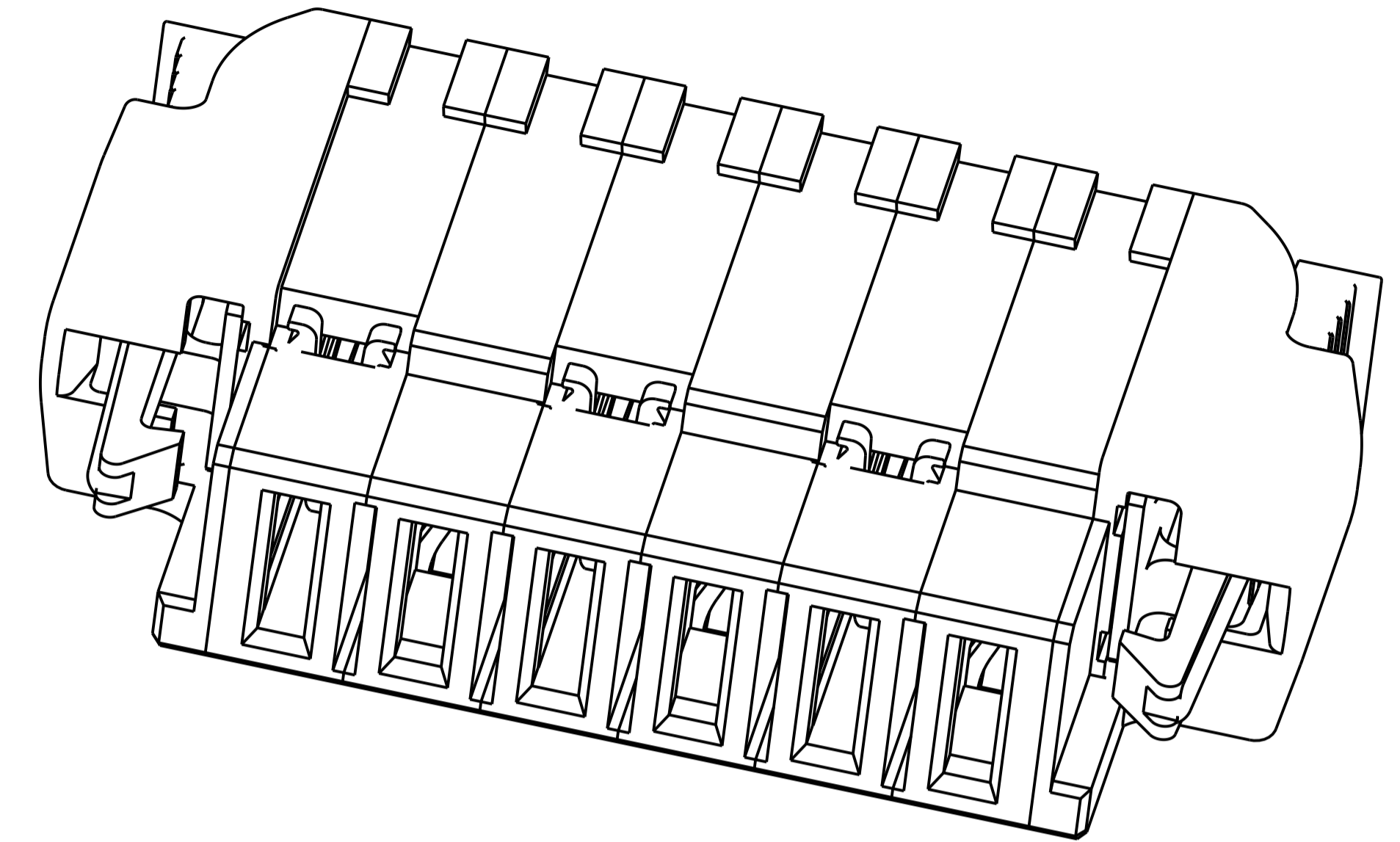
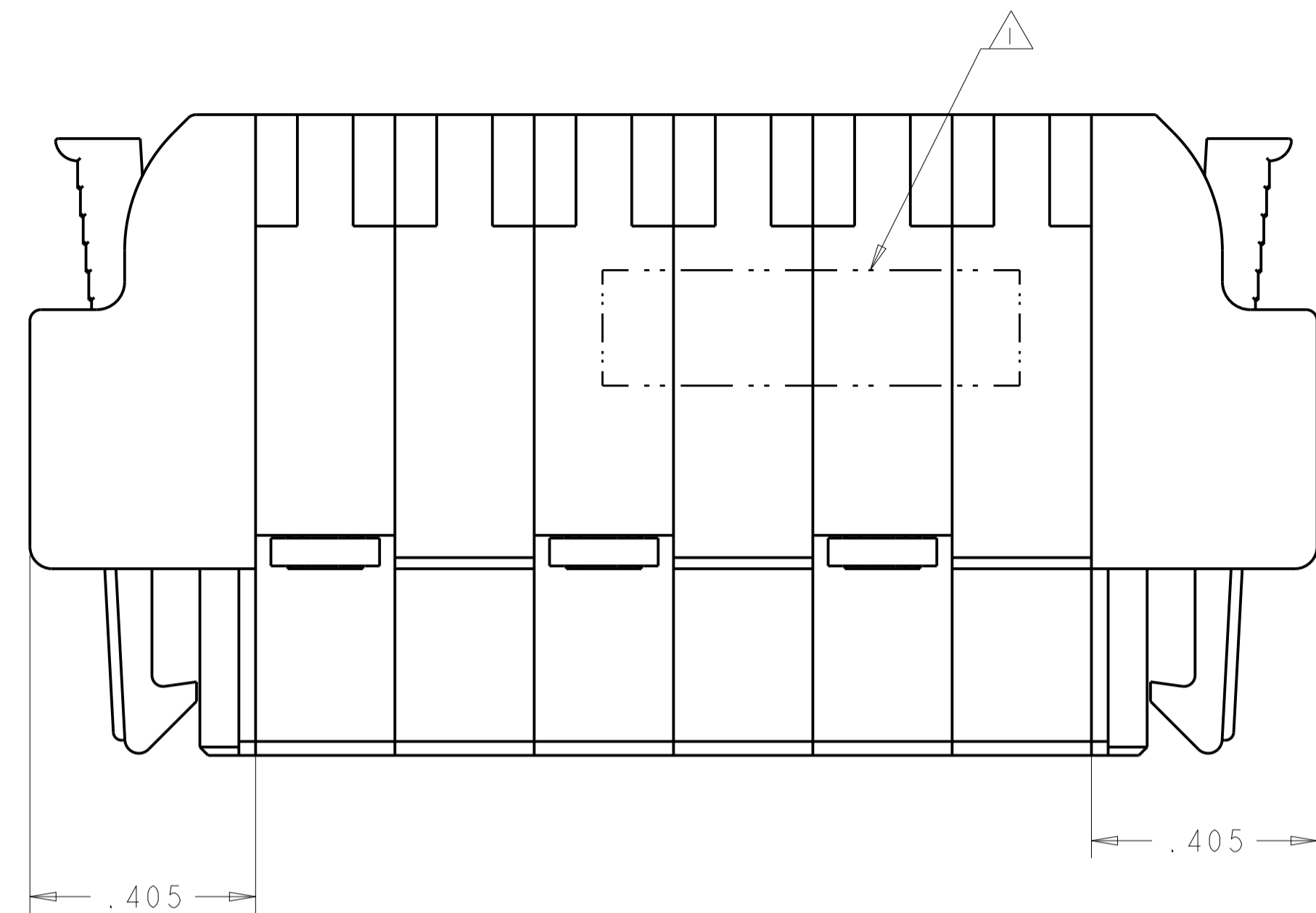
Tel: +86-755-8981 8866 Fax: +86-755-8427 6832

Email & Skype: info@chipsmall.com Web: www.chipsmall.com

Address: A1208, Overseas Decoration Building, #122 Zhenhua RD., Futian, Shenzhen, China



LOC		DIST		REVISIONS			
ES	00	P	LTH	DESCRIPTION	DATE	DWN	APVD
E5				REVISED	23DEC2011	ML	SZ
E6				REV PER ECR-12-019527	09NOV2012	AY	SZ
E8				ADD NEW DASH NUMBER 2-1	04JUN2014	CZ	SZ



	DIM P	DIM S	DIM L	DIM K	DIM F	DESCRIPTION	PART NUMBER
E8	.500	.250	.950	.225	1.560	3P	2-1600798-1
	.300	.300	.850	.275	1.460	2ACP	2-1600798-0
	.600	.300	1.050	.225	1.660	3ACP	1-1600798-9
	1.050	.350	1.500	.225	2.110	4P	1-1600798-8
	.750	.375	1.200	.225	1.810	3P	1-1600798-7
	.750	.250	1.200	.225	1.810	4P	1-1600798-5
	1.500	.300	2.050	.275	2.660	6ACP	1-1600798-4
	.900	.300	1.450	.275	2.060	4ACP	1-1600798-3
	.700	.350	1.150	.225	1.760	3P	1-1600798-2
	.250	.250	.700	.225	1.310	2P	1-1600798-1
	1.800	.300	2.350	.275	2.960	7ACP	1-1600798-0
	.600	.300	1.150	.275	1.760	3ACP	1600798-8
4	.300	.300	.850	.275	1.460	2ACP	1600798-7
	1.750	.250	2.200	.225	2.810	8P	1600798-6
3	.600	.300	1.150	.275	1.760	3ACP	1600798-5
	.750	.250	1.200	.225	1.810	4P	1600798-4
	.500	.250	.950	.225	1.560	3P	1600798-3
	.300	.300	.850	.275	1.460	2ACP	1600798-2
	1.250	.250	1.700	.225	2.310	6P	1600798-1

- △ COMPANY TRADEMARK, PART NUMBER, AND DATE CODE TO BE MARKED IN APPROXIMATE AREA SHOWN. PARTS UNDER 2.00 LONG MAY BE MARKED ON BOTH SIDES.
- △ THERMO PLASTIC, UL94 V-0
- △ NOT RELEASE FOR PRODUCTION
- △ W/O THE NARROW OPEN IS FOR 1600798-7 ONLY NOW.
- △ SECONDARY LOCK (1600903) WILL BE INSERTED AFTER CABLE WIRE ASSEMBLED

THIS DRAWING IS A CONTROLLED DOCUMENT. DIMENSIONS: INCHES. TOLERANCES UNLESS OTHERWISE SPECIFIED: 0 PLC ±.01, 1 PLC ±.01, 2 PLC ±.01, 3 PLC ±.005, 4 PLC ±.0020. MATERIAL: THERMO PLASTIC. FINISH: UNFINISHED. WEIGHT: -. CUSTOMER DRAWING. SCALE 4:1. SHEET 1 OF 3. REV E8.

OWN: R. GRZYBOWSKI, DIMAROS. CHK: P. DAMATO, DIMAROS. APVD: P. DAMATO. PRODUCT SPEC: 108-2157. APPLICATION SPEC: 114-13112. NAME: SQUEEZE TO RELEASE CABLE RECEPTACLE HOUSING ASSY, WITH KEY, MULTI-BEAM XLE. SIZE: A100779. CAGE CODE: 1600798. RESTRICTED TO: REV E8.

PART NUMBER	ROWS	POWER					
		P6	P5	P4	P3	P2	PI
1600798-1	D C B A	RM	RM	RM	RM	RM	RM
6P							

PART NUMBER	ROWS	POWER	
		P2	PI
1600798-7	D C B A	RM	RM
2ACP			

PART NUMBER	ROWS	POWER		
		P3	P2	PI
1-1600798-2	D C B A	RM	RA	RM
3P				

PART NUMBER	ROWS	POWER	
		P2	PI
1600798-2	D C B A	RM	RM
2ACP			

PART NUMBER	ROWS	POWER		
		P3	P2	PI
1600798-8	D C B A	RA	RM	RM
3ACP				

PART NUMBER	ROWS	POWER			
		P4	P3	P2	PI
1-1600798-3	D C B A	RM	RM	RM	RM
4ACP					

PART NUMBER	ROWS	POWER		
		P3	P2	PI
1600798-3	D C B A	RM	RM	RM
3P				

PART NUMBER	ROWS	POWER						
		P7	P6	P5	P4	P3	P2	PI
1-1600798-0	D C B A	RM	RM	RM	RA	RM	RM	RM
7ACP								

PART NUMBER	ROWS	POWER					
		P6	P5	P4	P3	P2	PI
1-1600798-4	D C B A	RM	RM	RM	RM	RM	RM
6ACP							

PART NUMBER	ROWS	POWER			
		P4	P3	P2	PI
1600798-4	D C B A	RM	RM	RM	RM
4P					

PART NUMBER	ROWS	POWER	
		P2	PI
1-1600798-1	D C B A	RM	RM
2P			

PART NUMBER	ROWS	POWER			
		P4	P3	P2	PI
1-1600798-5	D C B A	RM	RM	RA	RA
4P					

PART NUMBER	ROWS	POWER		
		P3	P2	PI
1600798-5	D C B A	RM	RM	RM
3ACP				

PART NUMBER	ROWS	POWER		
		P3	P2	PI
1-1600798-7	D C B A	RM	RM	RM
3P				

PART NUMBER	ROWS	POWER							
		P8	P7	P6	P5	P4	P3	P2	PI
1600798-6	D C B A	RM	RM	RM	RM	RM	RM	RM	RM
8P									

REFERENCE WIRE CHART AND CONTACTS		
HOUSING MODULE	CONTACT	INSULATION DIAMETER RANGE
.300 POWER	8 - 10 1600960 REF	[.176 - .272]
.250 POWER	8 - 10 1600960 REF	[.176 - .203]
	12 - 14 1600961 REF	[.156 - .176]
.200 POWER	12 - 14 1600961 REF	[.120 - .156]
.100 SIGNAL	22 - 26 5531216-3 REF	[.036 - .069]

RM	STANDARD POWER
RA	MFBL POWER
E	SIGNAL CONTACT
CODE	DESCRIPTION
CONTACT TABLE	

THIS DRAWING IS A CONTROLLED DOCUMENT.		OWN: B. GRZYBOWSKI	OTMAROS
DIMENSIONS: INCHES		CHK: P. DAMATO	OTMAROS
TOLERANCES UNLESS OTHERWISE SPECIFIED:		APVD: P. DAMATO	
0 PLC	±	PRODUCT SPEC	
1 PLC	±.01	108-2157	
2 PLC	±.005	APPLICATION SPEC	
3 PLC	±.0020	114-13112	
4 PLC	±.0020	WEIGHT	
ANGLES	±.0020	CUSTOMER DRAWING	
FINISH		SCALE	2:1
MATERIAL		SIZE	A100779C=1600798
		SHEET	2 OF 3
		REV	E8

LOC	DIST	REVISIONS			
		REV	DATE	BY	APPV
ES	00	-	-	-	-
		SEE SHEET 1			


PART NUMBER	ROWS	POWER			
		P4	P3	P2	P1
1-1600798-8	D C B A	RM	RM	RM	RM
4P					

E3

PART NUMBER	ROWS	POWER		
		P3	P2	P1
1-1600798-9	D C B A	RM	RA	RM
3 ACP				

PART NUMBER	ROWS	POWER	
		P2	P1
2-1600798-0	D C B A	RA	RM
2ACP			

PART NUMBER	ROWS	POWER		
		P3	P2	P1
2-1600798-1	D C B A	RM	RA	RM
3P				

THIS DRAWING IS A CONTROLLED DOCUMENT.		OWN R. GRZYBOWSKI	OTMAROS	 TE Connectivity
DIMENSIONS: INCHES		CHK P. DAMATO	OTMAROS	
TOLERANCES UNLESS OTHERWISE SPECIFIED:		APVD P. DAMATO		NAME SQUEEZE TO RELEASE CABLE RECEPTACLE HOUSING ASSY, WITH KEY, MULTI-BEAM XLE
0 PLC ±.01		PRODUCT SPEC		108-2157
1 PLC ±.01		APPLICATION SPEC		114-13112
2 PLC ±.005		SIZE		A100779
3 PLC ±.0020		CAGE CODE		C=1600798
4 PLC ±.0020		DRAWING NO		
ANGLES		WEIGHT		
FINISH		CUSTOMER DRAWING		
MATERIAL		SCALE		4:1
		SHEET		3 OF 3
		REV		E8