



Chipsmall Limited consists of a professional team with an average of over 10 year of expertise in the distribution of electronic components. Based in Hongkong, we have already established firm and mutual-benefit business relationships with customers from,Europe,America and south Asia,supplying obsolete and hard-to-find components to meet their specific needs.

With the principle of "Quality Parts,Customers Priority,Honest Operation,and Considerate Service",our business mainly focus on the distribution of electronic components. Line cards we deal with include Microchip,ALPS,ROHM,Xilinx,Pulse,ON,Everlight and Freescale. Main products comprise IC,Modules,Potentiometer,IC Socket,Relay,Connector.Our parts cover such applications as commercial,industrial, and automotives areas.

We are looking forward to setting up business relationship with you and hope to provide you with the best service and solution. Let us make a better world for our industry!



Contact us

Tel: +86-755-8981 8866 Fax: +86-755-8427 6832

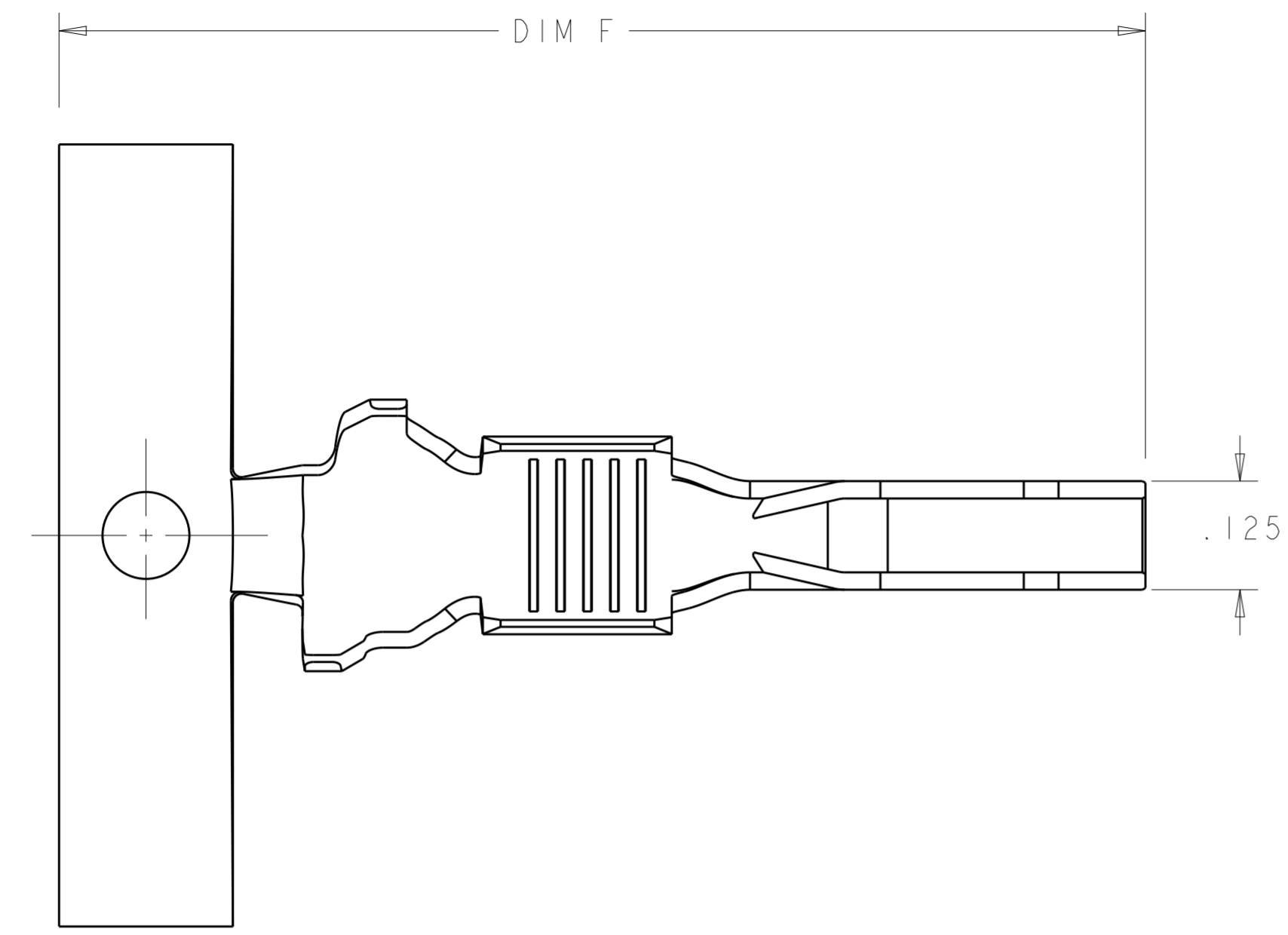
Email & Skype: info@chipsmall.com Web: www.chipsmall.com

Address: A1208, Overseas Decoration Building, #122 Zhenhua RD., Futian, Shenzhen, China

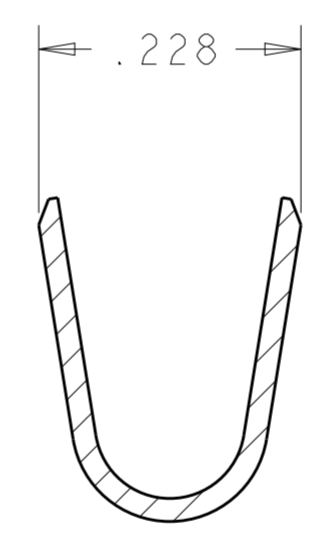
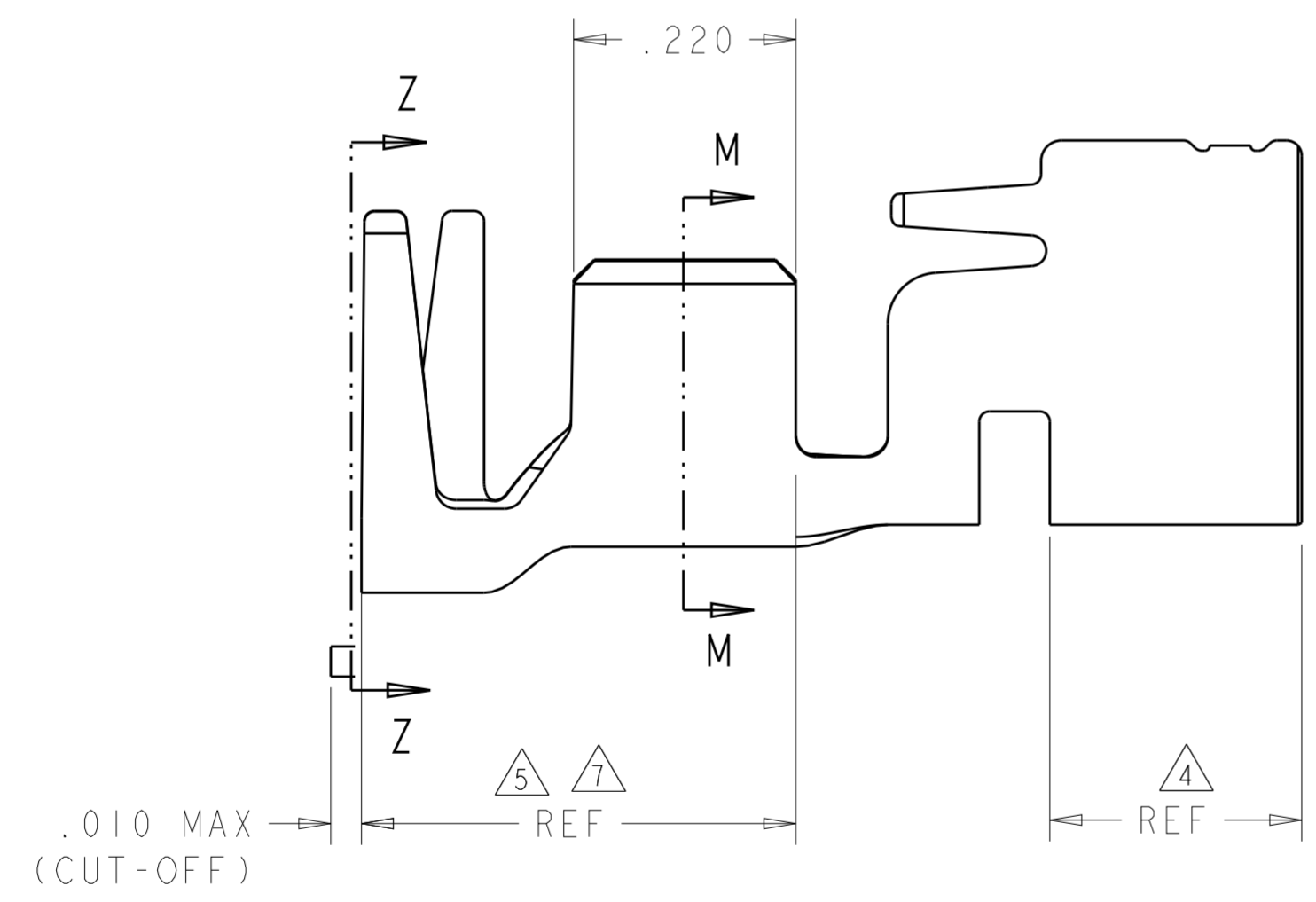


THIS DRAWING IS UNPUBLISHED. RELEASED FOR PUBLICATION 20
© COPYRIGHT 20 BY TYCO ELECTRONICS CORPORATION. ALL RIGHTS RESERVED.

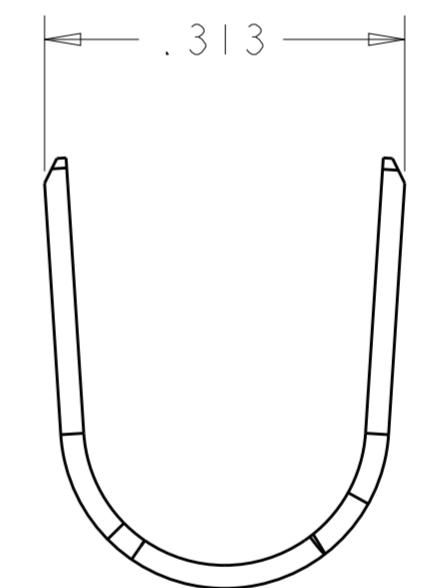
LOC	DIST	REVISIONS					
GP	00	P	LTR	DESCRIPTION	DATE	DWN	APVD
		I		REV PER OS12-0055-05	25JAN2005	RG	MP
		A		RELEASED PER OS15-0019-05	05APR2005	RG	PD
		B		REV PER OS15-0090-05	13MAY2005	RG	PD
		BI		REV PER ECO-14-002957	28FEB2014	OL	SZ



1. WIRE RANGE: 8 - 10 AWG
2. INSULATION RANGE: .176 - .272
- 3 FINISH: NICKEL PLATE ALL OVER 0.000050 MIN THICK
- 4 FINISH: NOBLE METAL PLATING ON CONTACT FUNCTIONAL AREA
- 5 FINISH: TIN IN AREA INDICATED 0.000050 - 0.000100 THK.
6. MATERIAL: HIGH CONDUCTIVITY COPPER ALLOY
- 7 FINISH: TIN-LEAD IN AREA INDICATED 0.000050 - 0.000100 THK.



SECTION M-M



SECTION Z-Z

1.200	3 4 5	STD	1-1600960-8
1.250	3 4 5	MFBL	1-1600960-7
1.200	3 4 7	STD	1-1600960-0
1.250	3 4 7	MFBL	1600960-9
DIM F REF	FINISH	DESCRIPTION	PART NUMBER

<small>THIS DRAWING IS A CONTROLLED DOCUMENT FOR TYCO ELECTRONICS CORPORATION. IT IS SUBJECT TO CHANGE AND THE CONTROLLING ENGINEERING ORGANIZATION SHOULD BE CONTACTED FOR THE LATEST REVISION.</small>		DWN R. GRZYBOWSKI CHK P. D'AMATO APVD P. D'AMATO	19 JAN 2005 tyco Electronics Tyco Electronics Harrisburg, PA 17105-3608
DIMENSIONS: INCHES 	TOLERANCES UNLESS OTHERWISE SPECIFIED: 0 PLC ± 1 PLC ±.10 2 PLC ±.05 3 PLC ±.005 4 PLC ±.0020 ANGLES ± FINISH	PRODUCT SPEC 108-2157 APPLICATION SPEC 114-13112 WEIGHT -	NAME VERTICAL BULKHEAD CABLE RECEPTACLE POWER CONTACT MULTI-BEAM XL SIZE CAGE CODE DRAWING NO RESTRICTED TO A200779 C-1600960 -
SEE NOTES	SEE NOTES	CUSTOMER DRAWING	SCALE 8:1 SHEET 1 OF 1 REV BI