



Chipsmall Limited consists of a professional team with an average of over 10 year of expertise in the distribution of electronic components. Based in Hongkong, we have already established firm and mutual-benefit business relationships with customers from,Europe,America and south Asia,supplying obsolete and hard-to-find components to meet their specific needs.

With the principle of “Quality Parts,Customers Priority,Honest Operation,and Considerate Service”,our business mainly focus on the distribution of electronic components. Line cards we deal with include Microchip,ALPS,ROHM,Xilinx,Pulse,ON,Everlight and Freescale. Main products comprise IC,Modules,Potentiometer,IC Socket,Relay,Connector.Our parts cover such applications as commercial,industrial, and automotives areas.

We are looking forward to setting up business relationship with you and hope to provide you with the best service and solution. Let us make a better world for our industry!



Contact us

Tel: +86-755-8981 8866 Fax: +86-755-8427 6832

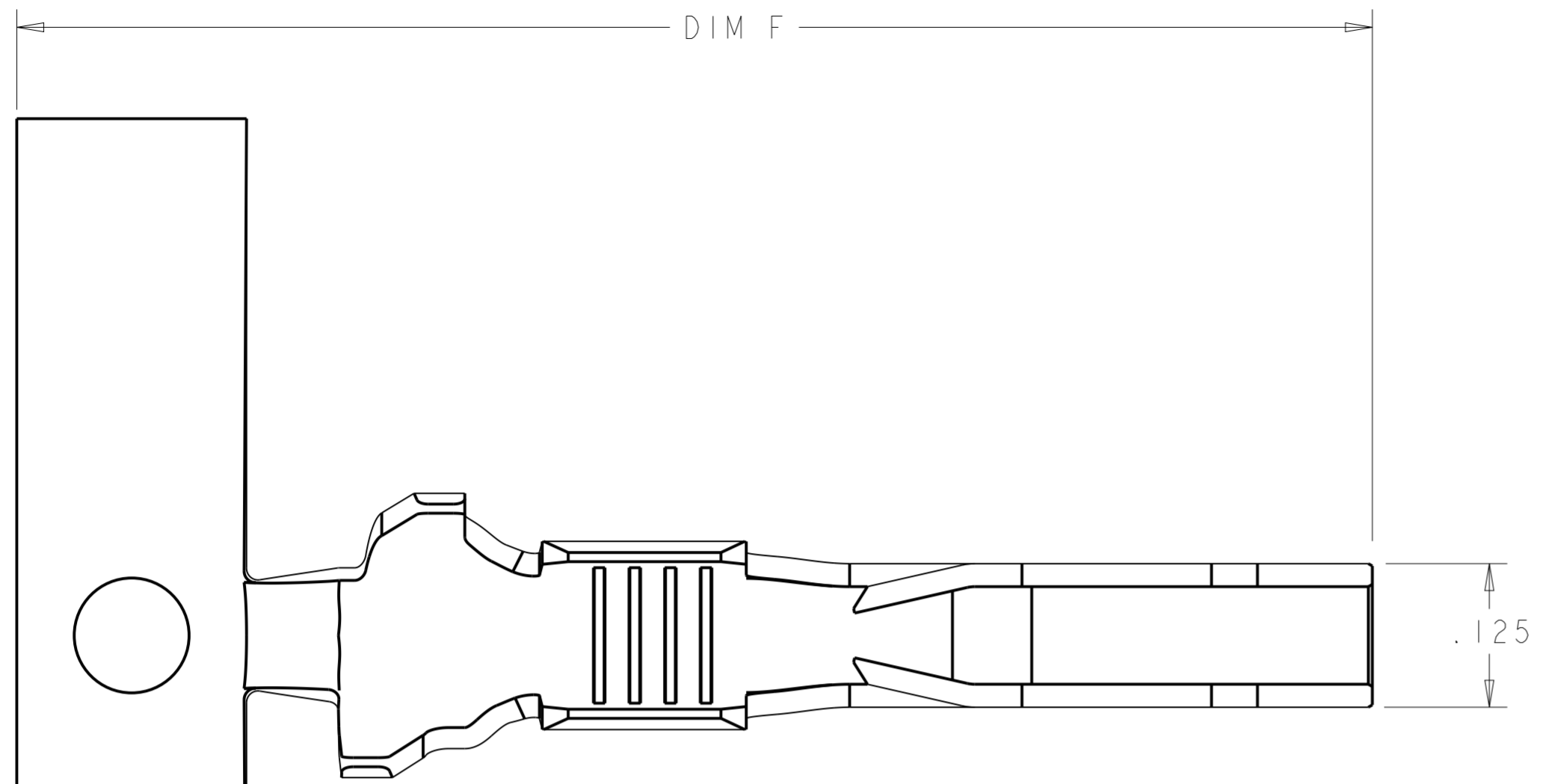
Email & Skype: info@chipsmall.com Web: www.chipsmall.com

Address: A1208, Overseas Decoration Building, #122 Zhenhua RD., Futian, Shenzhen, China

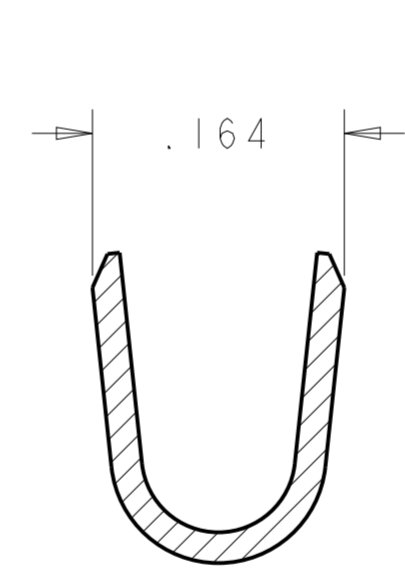
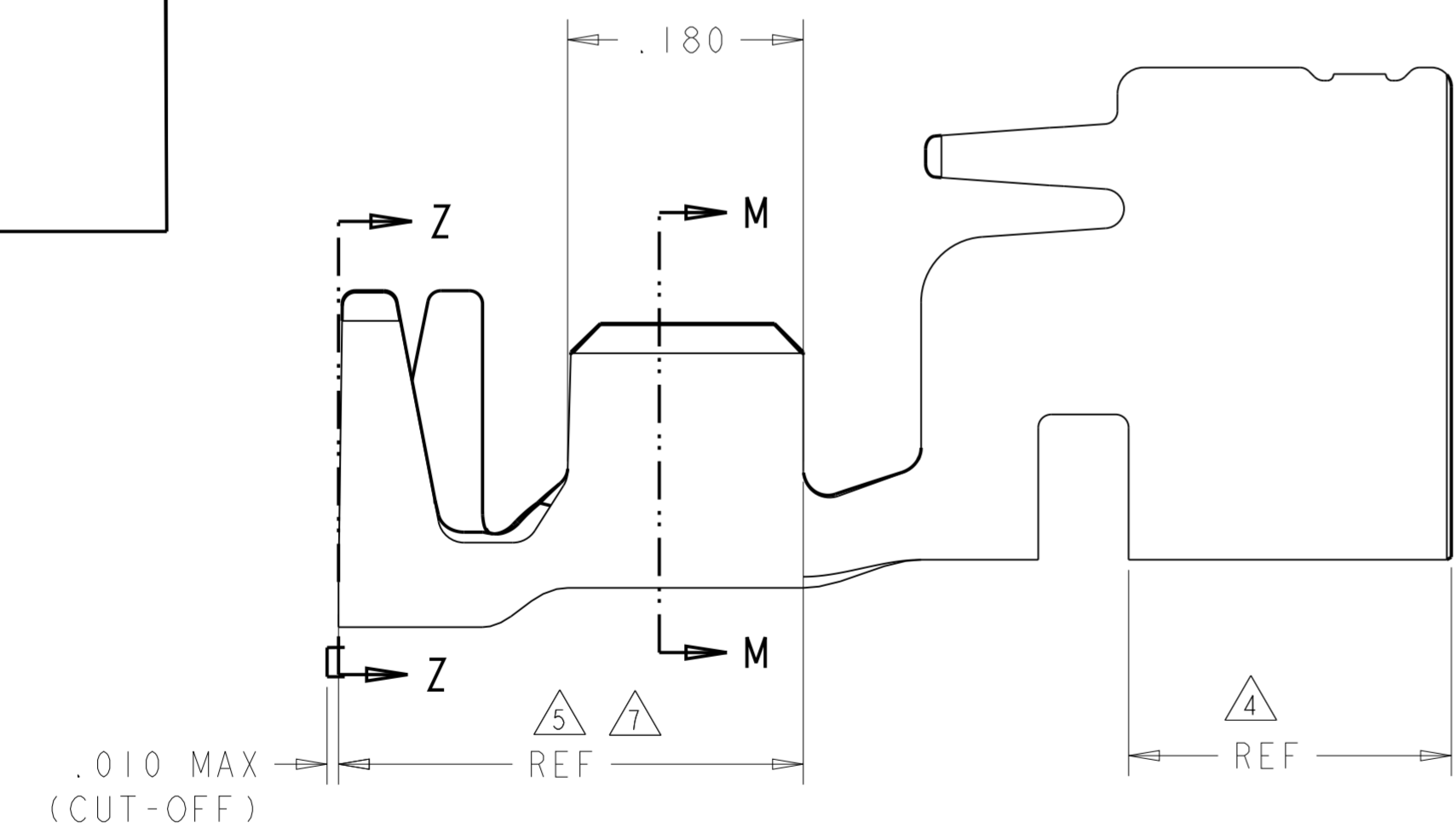


THIS DRAWING IS UNPUBLISHED. RELEASED FOR PUBLICATION 20
 © COPYRIGHT 20 BY TYCO ELECTRONICS CORPORATION. ALL RIGHTS RESERVED.

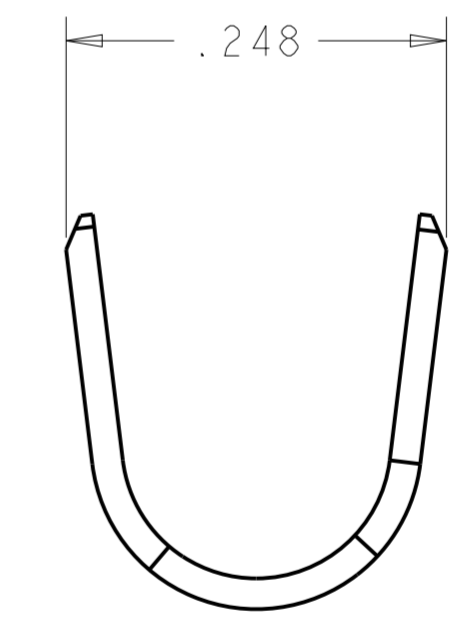
| LOC | DIST | REVISIONS | | | | | |
|-----|------|-----------|-----|-----------------------|-----------|-----|------|
| GP | 00 | P | LTR | DESCRIPTION | DATE | DWN | APVD |
| | | I | | REV PER OS12-0055-05 | 25JAN2005 | RG | PA |
| | | A | | REV PER OS15-0019-05 | 05APR2005 | RG | PD |
| | | B | | REV PER OS15-0090-05 | 13MAY2005 | RG | PD |
| | | BI | | REV PER ECO-14-002957 | 28FEB2014 | OL | SZ |



1. WIRE RANGE: 12 - 14 AWG
2. INSULATION RANGE: .120 - .176
3. FINISH: NICKEL PLATE ALL OVER 0.000050 MIN THICK
4. FINISH: NOBLE METAL PLATING ON CONTACT FUNCTIONAL AREA
5. FINISH: TIN IN AREA INDICATED 0.000050 - 0.000100 THK.
6. MATERIAL: HIGH CONDUCTIVITY COPPER ALLOY
7. FINISH: TIN-LEAD IN AREA INDICATED 0.000050 - 0.000100 THK



SECTION M-M



SECTION Z-Z

| | | | |
|--------------|--------|-------------|----------------|
| 1.135 | 3 4 5 | STD | 1-1600961-8 |
| 1.185 | 3 4 5 | MFBL | 1-1600961-7 |
| 1.135 | 3 4 7 | STD | 1-1600961-0 |
| 1.185 | 3 4 7 | MFBL | 1600961-9 |
| DIM F REF | FINISH | DESCRIPTION | PART NUMBER |

| | | | |
|--|--|---|--|
| <small>THIS DRAWING IS A CONTROLLED DOCUMENT FOR TYCO ELECTRONICS CORPORATION. IT IS SUBJECT TO CHANGE AND THE CONTROLLING ENGINEERING ORGANIZATION SHOULD BE CONTACTED FOR THE LATEST REVISION.</small> | | DWN R. GRZYBOWSKI CHK P. D'AMATO APVD P. D'AMATO | 25 JAN 2005 tyco Electronics Tyco Electronics Harrisburg, PA 17105-3608 |
| DIMENSIONS: INCHES | TOLERANCES UNLESS OTHERWISE SPECIFIED: 0 PLC ± 1 PLC ±.10 2 PLC ±.05 3 PLC ±.0020 4 PLC ±.0020 ANGLES ± FINISH | PRODUCT SPEC 108-2157 APPLICATION SPEC 114-13112 WEIGHT - | NAME VERTICAL BULKHEAD CABLE RECEPTACLE POWER CONTACT MULTI-BEAM XL SIZE CAGE CODE DRAWING NO RESTRICTED TO A200779 C-1600961 - |
| MATERIAL | | CUSTOMER DRAWING | SCALE 8:1 SHEET 1 OF 1 REV BI |