



Chipsmall Limited consists of a professional team with an average of over 10 year of expertise in the distribution of electronic components. Based in Hongkong, we have already established firm and mutual-benefit business relationships with customers from,Europe,America and south Asia,supplying obsolete and hard-to-find components to meet their specific needs.

With the principle of “Quality Parts,Customers Priority,Honest Operation,and Considerate Service”,our business mainly focus on the distribution of electronic components. Line cards we deal with include Microchip,ALPS,ROHM,Xilinx,Pulse,ON,Everlight and Freescale. Main products comprise IC,Modules,Potentiometer,IC Socket,Relay,Connector.Our parts cover such applications as commercial,industrial, and automotives areas.

We are looking forward to setting up business relationship with you and hope to provide you with the best service and solution. Let us make a better world for our industry!



Contact us

Tel: +86-755-8981 8866 Fax: +86-755-8427 6832

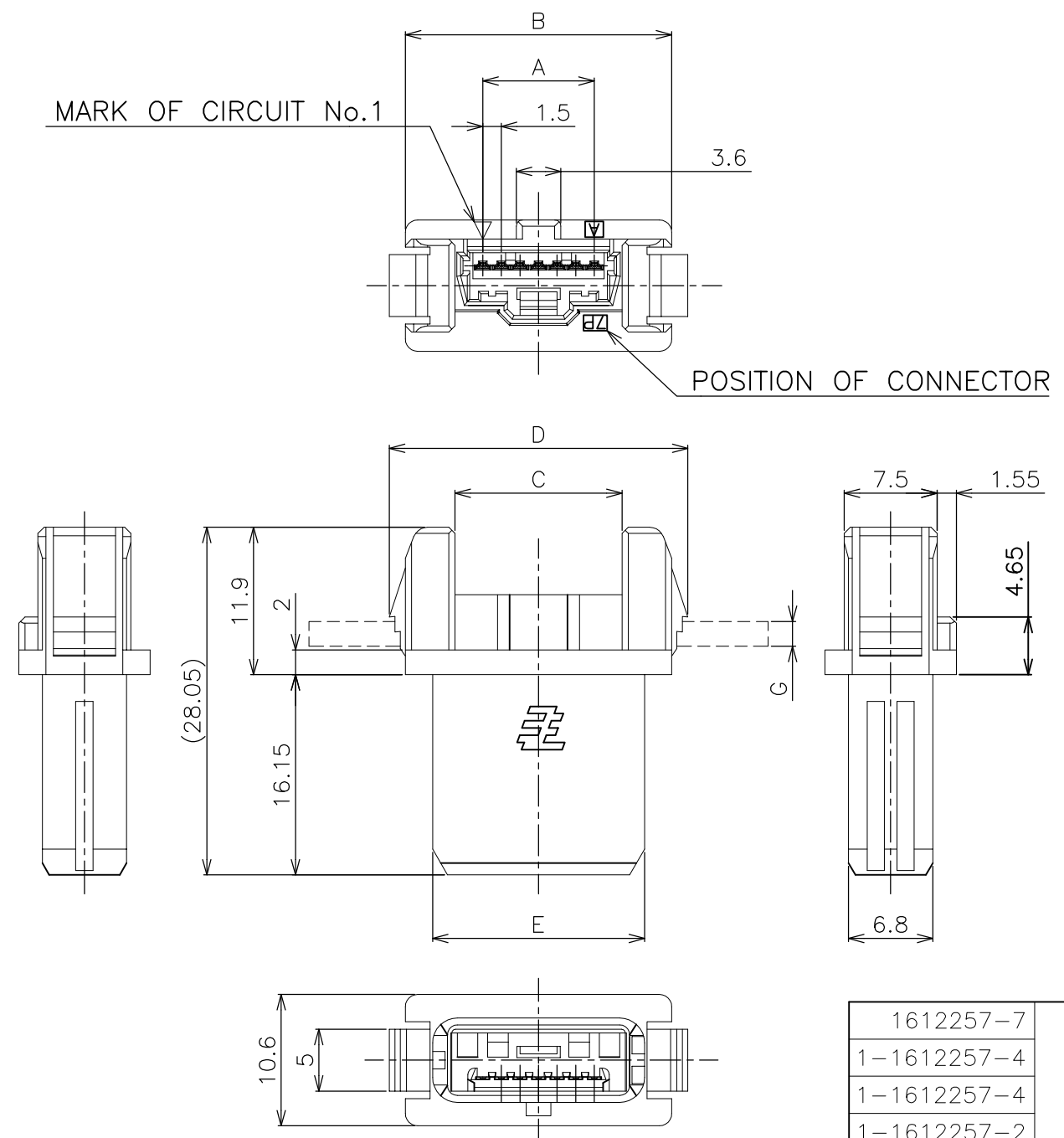
Email & Skype: info@chipsmall.com Web: www.chipsmall.com

Address: A1208, Overseas Decoration Building, #122 Zhenhua RD., Futian, Shenzhen, China



LOC	DIST	REVISIONS					
ES	00	P	LTR	DESCRIPTION	DATE	DWN	APVD
		F		REVISED ECR-10-010197	17JUN11	T.Q	S.Y

AS SHOWN : 1612256-7



NOTES

- USE WITH MINI CT MT TYPE P/N : X-353293-X (ASSY)
 CRIMP TYPE P/N : 353907-1 (CONTACT)
 353918-1(L/P) (CONTACT)
 X-353908-X (HOUSING)
- MATERIAL HOUSING :PBT G.F. UL94 V-0, COLOR: BLACK
 CONTACT :COPPER ALLOY
- FINISH CONTACT : NICKEL UNDER PLATED ALL OVER
 CONTACT AREA : GOLD PLATED
 POST AREA : Sn 100% PLATED
- THE PANEL SHOULD BE PUNCHED SO THAT THE HOUSING ENTERS THE PANEL IN THE SAME DIRECTION AS PUNCH.
- FLOATING DIMENSION : 0.5 MAX
 (INCLUDE THE AMOUNT OF AXIAL GAPS)
- DIMENSION BETWEEN PANELS MUST BE SET 21.8-22.8mm.
 (INCLUDE THE CLEARANCE BETWEEN CONNECTOR AND PANEL)
- GENERAL TOLERANCE
 10 > ±0.2
 30 > >10:±0.25
 100 > >30:±0.3
 ANGLES:±3°
- SEQUENTIAL CIRCUIT NO. IS SHOWN IN TABLE.

1612257-7			21.7	17.1	24.1	13.5	21.5	9.0	1	7	7-1612256-7
1-1612257-4			32.2	27.6	34.6	24.0	32.0	19.5	2 & 9	14	7-1612256-4
1-1612257-4	21.8	±0.1	32.2	27.6	34.6	24.0	32.0	19.5	3	14	1-1612256-4
1-1612257-2		OR	29.2	24.6	31.6	21.0	29.0	16.5	3	12	1-1612256-2
1-1612257-0			26.2	21.6	28.6	18.0	26.0	13.5	3	10	1-1612256-0
1612257-7			21.7	17.1	24.1	13.5	21.5	9.0	3	7	1612256-7
COUNTER MATING CONNECTOR P/N	H	G	F	E	D	C	B	A	SEQUENTIAL CIRCUIT No.		P/N
	DIMENSION BETWEEN PANELS		APPLIED PANEL THICKNESS		DIMENSIONS				POS.		

THIS DRAWING IS A CONTROLLED DOCUMENT.

DWN H.HOSHINO 05AUG02
 CHK T.KUSUHARA 05AUG02

APVD I.ENOMOTO 05AUG02

PRODUCT SPEC 108-5836

APPLICATION SPEC

NAME

PLUG ASSEMBLY
 MINI CT DC DRAWER SNAP-FIT
 SINGLE ROW TYPE

SIZE A3 CAGE CODE 00779 DRAWING NO C-1612256 RESTRICTED TO -

WEIGHT

MATERIAL FINISH

CUSTOMER DRAWING SCALE 2:1 SHEET 1 OF 2 REV F

4

3

2

1

THIS DRAWING IS UNPUBLISHED.

RELEASED FOR PUBLICATION

AUG ,2002.

© COPYRIGHT 2002 BY TYCO ELECTRONICS CORPORATION. ALL RIGHTS RESERVED.

LOC

DIST

REVISIONS

ES

00

P

LTR

DESCRIPTION

DATE

DWN

APVD

-

-

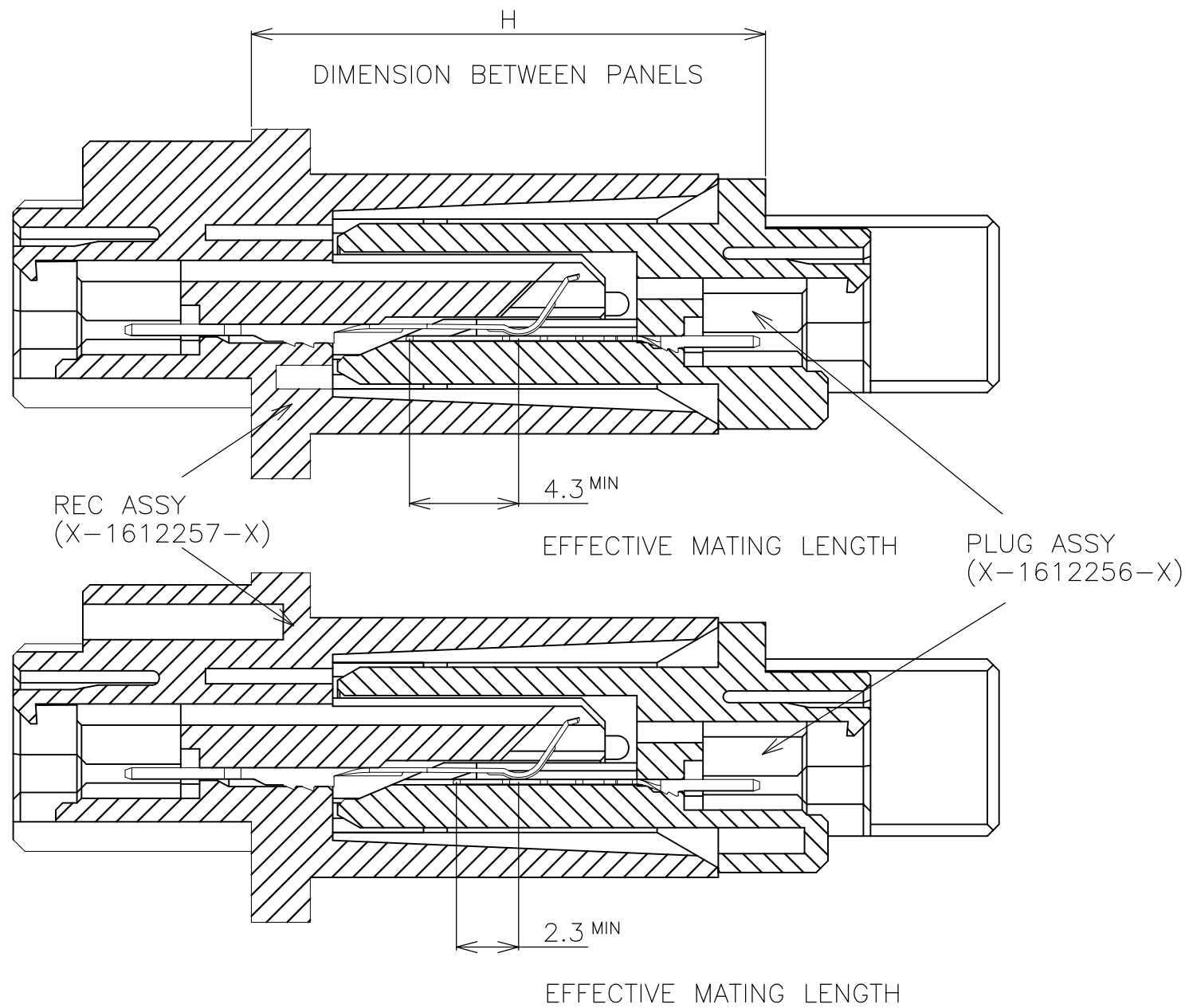
SEE SHEET 1

-

-

-

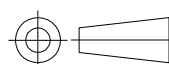
AS SHOWN : 1612256-7



CROSS SECTION

THIS DRAWING IS A CONTROLLED DOCUMENT.

DIMENSIONS:
MM



TOLERANCES UNLESS OTHERWISE SPECIFIED:

- 0 PLC ±
- 1 PLC ±
- 2 PLC ±
- 3 PLC ±
- 4 PLC ±
- ANGLES ±
- FINISH ±

MATERIAL

FINISH

DWN

CHK

APVD

PRODUCT SPEC

APPLICATION SPEC

WEIGHT

CUSTOMER DRAWING



TE Connectivity

NAME

PLUG ASSEMBLY
MINI CT DC DRAWER SNAP-FIT
SINGLE ROW TYPE

SIZE

CAGE CODE

DRAWING NO

RESTRICTED TO

A3

00779

C-1612256

-

SCALE 4:1

SHEET 2 OF 2

REV F