



Chipsmall Limited consists of a professional team with an average of over 10 year of expertise in the distribution of electronic components. Based in Hongkong, we have already established firm and mutual-benefit business relationships with customers from,Europe,America and south Asia,supplying obsolete and hard-to-find components to meet their specific needs.

With the principle of “Quality Parts,Customers Priority,Honest Operation,and Considerate Service”,our business mainly focus on the distribution of electronic components. Line cards we deal with include Microchip,ALPS,ROHM,Xilinx,Pulse,ON,Everlight and Freescale. Main products comprise IC,Modules,Potentiometer,IC Socket,Relay,Connector.Our parts cover such applications as commercial,industrial, and automotives areas.

We are looking forward to setting up business relationship with you and hope to provide you with the best service and solution. Let us make a better world for our industry!



Contact us

Tel: +86-755-8981 8866 Fax: +86-755-8427 6832

Email & Skype: info@chipsmall.com Web: www.chipsmall.com

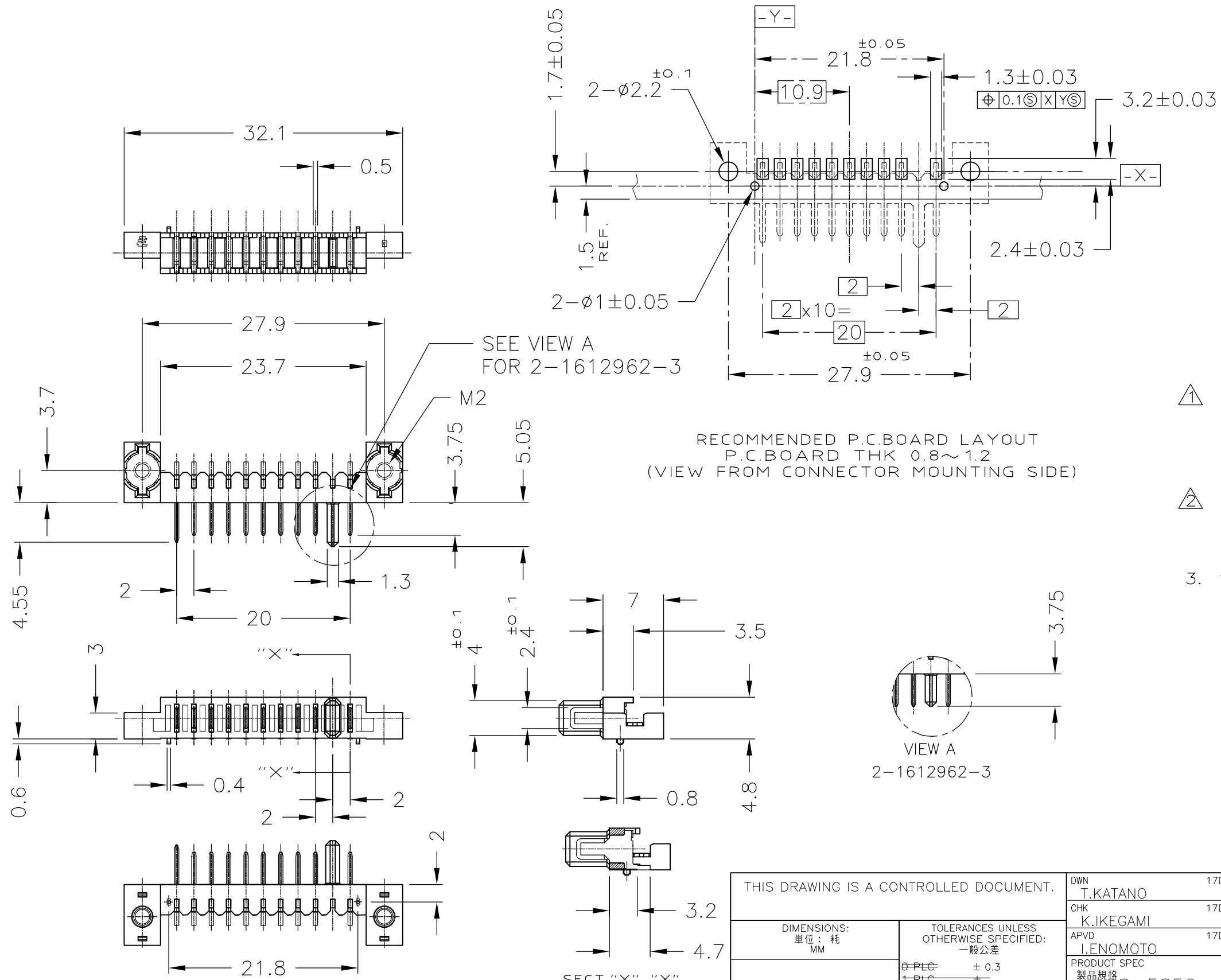
Address: A1208, Overseas Decoration Building, #122 Zhenhua RD., Futian, Shenzhen, China



THIS DRAWING IS UNPUBLISHED. RELEASED FOR PUBLICATION
 © COPYRIGHT - By - ALL RIGHTS RESERVED.

| LOC | DIST | REVISIONS | | | | | |
|-----|------|-----------|-----|---------------------------|-----------|-----|------|
| ES | - | P | LTR | DESCRIPTION | DATE | DWN | APVD |
| | | C | | REVISED PER ECR-12-002187 | 17FEB2012 | E.L | X.X |

1612962-3 : AS SHOWN



- △ MATERIAL HOUSING : THERMOPLASTIC RESIN, UL94V-0
 COLOR ; BLACK
 CONTACT : COPPER ALLOY
 NUT PLATE : STAINLESS STEEL
 - △ FINISH CONTACT : Ni ALL OVER UNDER PL
 GOLD PL. (0.3μm MIN.) AT CONTACT AREA
 Au FLUSH PL. AT LEAD AREA
3. 1-1612962-3 : WITHOUT NUT PLATE, SEE SHEET 2

| | | |
|-------------------|---------|-------------|
| WITH NUT PLATE | 8 | 3-1612962-3 |
| WITH NUT PLATE | 10 | 2-1612962-3 |
| WITHOUT NUT PLATE | 10 | 1-1612962-3 |
| WITH NUT PLATE | 10 | 1612962-3 |
| DESCRIPTION | N (POS) | PART NO. |



PLUG ASSEMBLY
 2mm PITCH BATTERY CONNECTOR

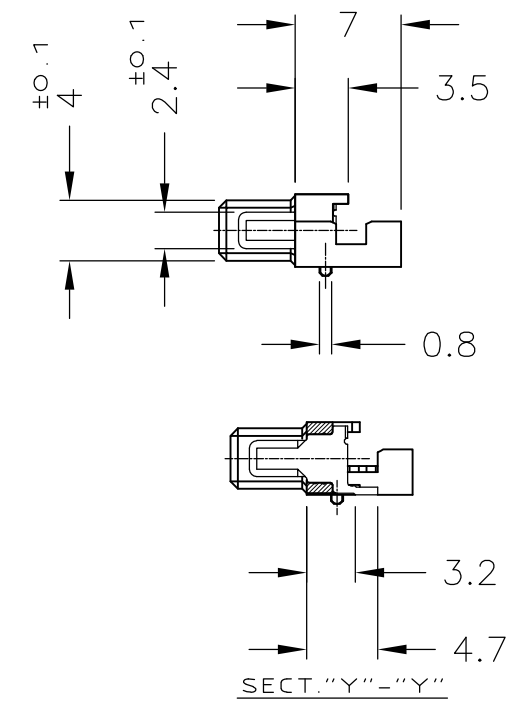
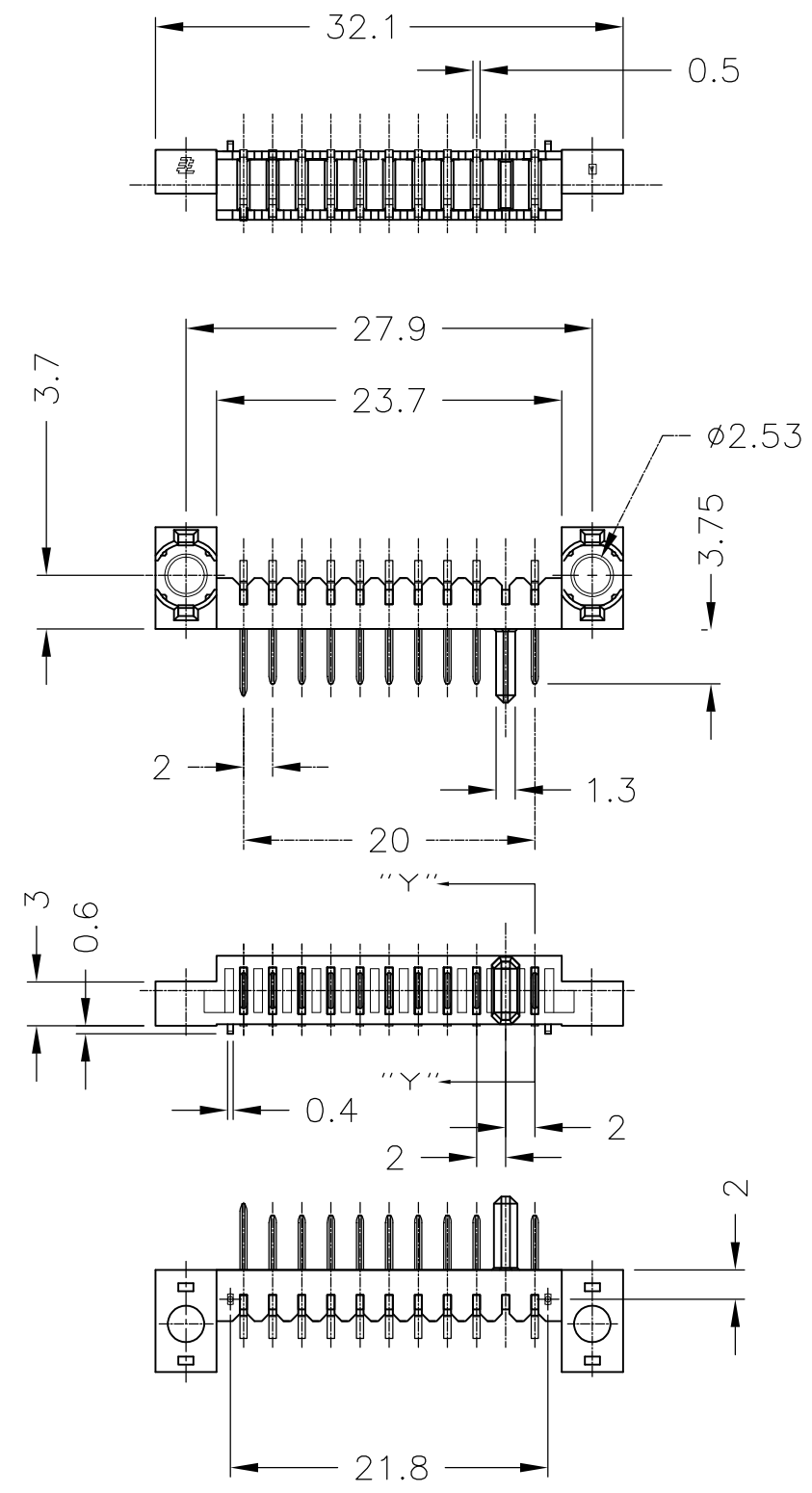
| | | | | |
|--|------|----------------------------------|-----------|---------|
| THIS DRAWING IS A CONTROLLED DOCUMENT. | | DWN | T.KATANO | 17DEC02 |
| DIMENSIONS: 単位: 耗 MM | | CHK | K.IKEGAMI | 17DEC02 |
| TOLERANCES UNLESS OTHERWISE SPECIFIED: 一般公差 | | APVD | I.ENOMOTO | 17DEC02 |
| 0-PLC | ±0.3 | PRODUCT SPEC 製品規格 108-5850 | | |
| 1-PLC | ± | APPLICATION SPEC 取付適用規格 | | |
| 2-PLC | ± | SIZE | | |
| 3-PLC | ± | CAGE CODE | | |
| 4-PLC | ± | DRAWING NO 番号 | | |
| ANGLES | ±3' | RESTRICTED TO | | |
| MATERIAL 材料 | △1 | WEIGHT | | |
| FINISH 仕上 | △2 | CUSTOMER DRAWING | | |

| | | | | | | | |
|-------------|-----|-----------|--------|------------------|-----------|---------------|---|
| SIZE | A3 | CAGE CODE | 00779 | DRAWING NO 番号 | C-1612962 | RESTRICTED TO | - |
| SCALE 尺度 | 2:1 | SHEET | 1 OF 3 | REV | C | | |

THIS DRAWING IS UNPUBLISHED. RELEASED FOR PUBLICATION
 © COPYRIGHT - By - ALL RIGHTS RESERVED.

| | | | | |
|-----------|-----------|-----------------|------|------|
| LOC ES | DIST - | REVISIONS 変更 | | |
| P | LTR | DESCRIPTION | DATE | APVD |
| | | SEE SHEET 1 | | |

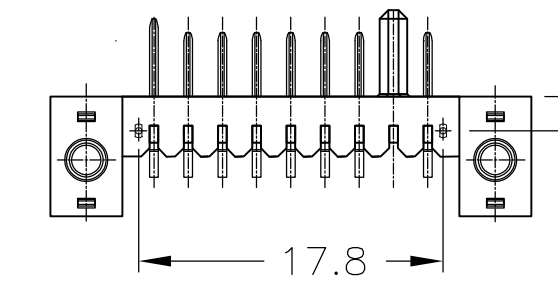
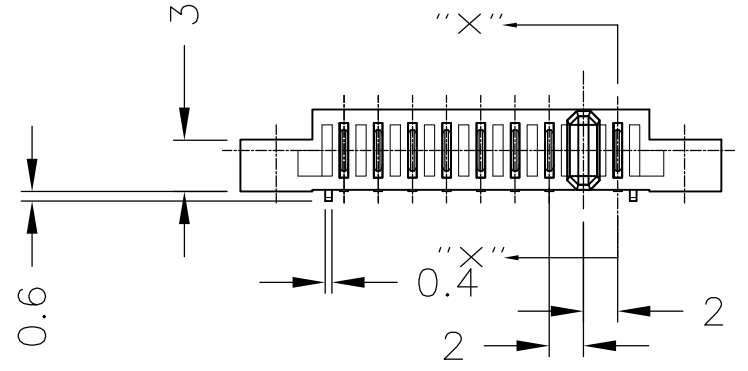
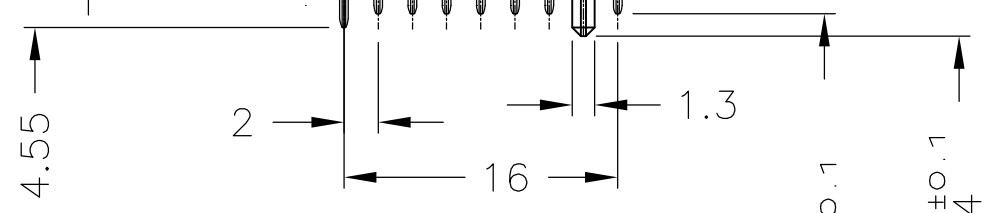
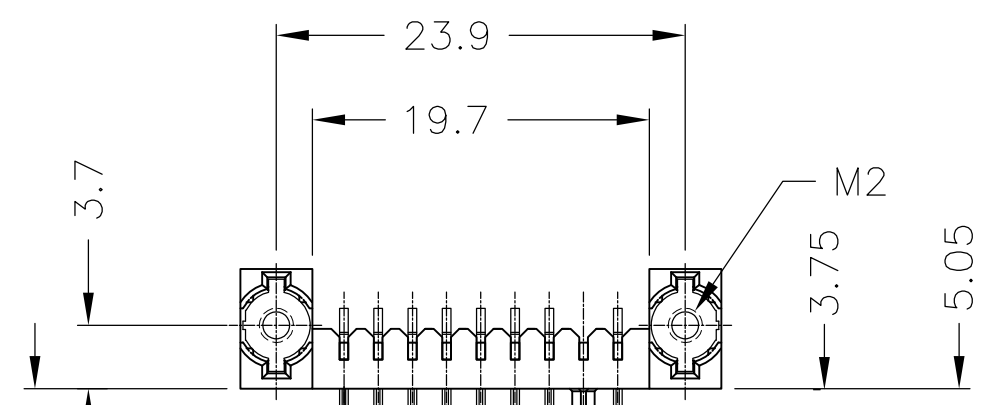
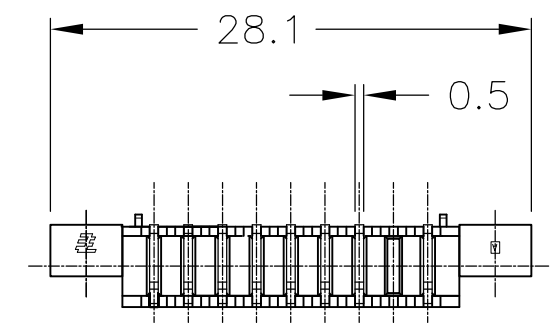
1-1612962-3 : AS SHOWN



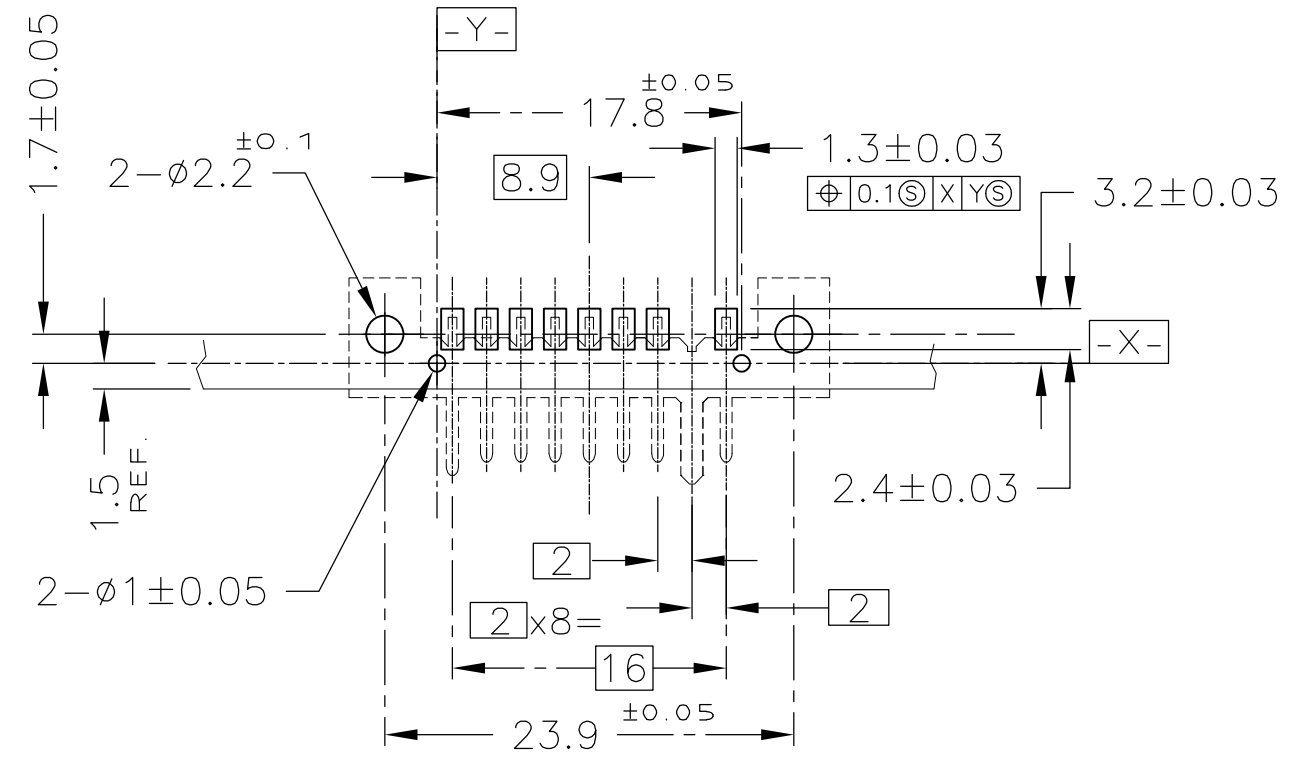
| | | | | | |
|--|--------------|----------------------------|----------------------|--------|---------------|
| THIS DRAWING IS A CONTROLLED DOCUMENT. | | DWN SEE SHEET 1 | TE Connectivity | | |
| DIMENSIONS: 单位: 耗 MM | | CHK | | | |
| TOLERANCES UNLESS OTHERWISE SPECIFIED: 一般公差 | | APVD | PRODUCT SPEC 製品規格 | SIZE | CAGE CODE |
| ϕ -PLC ± 0.3 \pm -PLC \pm \pm -PLC \pm \pm -PLC \pm ANGLES $\pm 3'$ | | APPLICATION SPEC 取付適用規格 | DRAWING NO 番号 | A3 | 00779 |
| MATERIAL 材料 | FINISH 仕上 | WEIGHT | G-1612962 | | RESTRICTED TO |
| CUSTOMER DRAWING | | | SCALE 尺度 | SHEET | REV |
| | | | 2:1 | 2 OF 3 | C |

THIS DRAWING IS UNPUBLISHED. RELEASED FOR PUBLICATION
 © COPYRIGHT - By - ALL RIGHTS RESERVED.

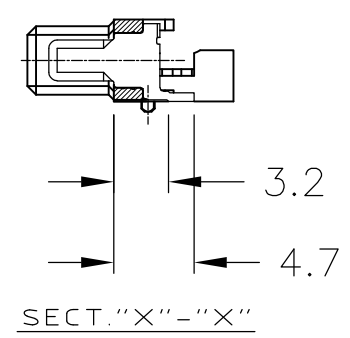
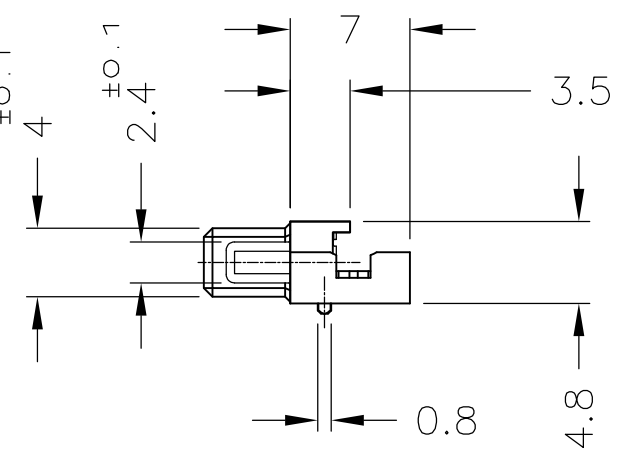
| LOC | DIST | REVISIONS | | | | | |
|-----|------|-----------|-----|-------------|------|-----|------|
| ES | - | P | LTR | DESCRIPTION | DATE | DWN | APVD |
| | | | | SEE SHEET 1 | | | |



3-1612962-3 : AS SHOWN



RECOMMENDED P.C. BOARD LAYOUT
 P.C. BOARD THK 0.8~1.2
 (VIEW FROM CONNECTOR MOUNTING SIDE)



- ▲ MATERIAL HOUSING : THERMOPLASTIC RESIN, UL94V-0
 COLOR ; BLACK
- CONTACT : COPPER ALLOY
- NUT PLATE : STAINLESS STEEL
- ▲ FINISH CONTACT : Ni ALL OVER UNDER PL
 GOLD PL. (0.127μm MIN.) AT CONTACT AREA
 Au FLASH PL. AT LEAD AREA

| | | | | | |
|--|--|----------------------------|----------------------|-----------|------------------|
| THIS DRAWING IS A CONTROLLED DOCUMENT. | | DWN SEE SHEET 1 | TE Connectivity | | |
| DIMENSIONS: 単位: 耗 MM | | CHK | | | |
| TOLERANCES UNLESS OTHERWISE SPECIFIED: 一般公差 | | APVD | PRODUCT SPEC 製品規格 | | |
| 0-PLC ± 0.3 1-PLC ± 2-PLC ± 3-PLC ± 4-PLC ± ANGLES ± 3° | | APPLICATION SPEC 取付適用規格 | SIZE | CAGE CODE | DRAWING NO 番号 |
| MATERIAL 材料 | | WEIGHT | A3 | 00779 | C-1612962 |
| CUSTOMER DRAWING | | | SCALE 尺度 | SHEET | REV |
| | | | 2:1 | 3 OF 3 | C |