



Chipsmall Limited consists of a professional team with an average of over 10 year of expertise in the distribution of electronic components. Based in Hongkong, we have already established firm and mutual-benefit business relationships with customers from,Europe,America and south Asia,supplying obsolete and hard-to-find components to meet their specific needs.

With the principle of “Quality Parts,Customers Priority,Honest Operation,and Considerate Service”,our business mainly focus on the distribution of electronic components. Line cards we deal with include Microchip,ALPS,ROHM,Xilinx,Pulse,ON,Everlight and Freescale. Main products comprise IC,Modules,Potentiometer,IC Socket,Relay,Connector.Our parts cover such applications as commercial,industrial, and automotives areas.

We are looking forward to setting up business relationship with you and hope to provide you with the best service and solution. Let us make a better world for our industry!



Contact us

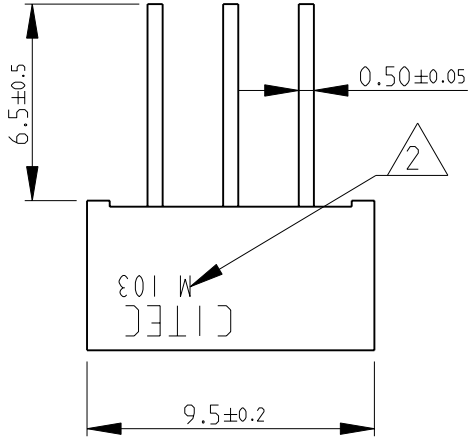
Tel: +86-755-8981 8866 Fax: +86-755-8427 6832

Email & Skype: info@chipsmall.com Web: www.chipsmall.com

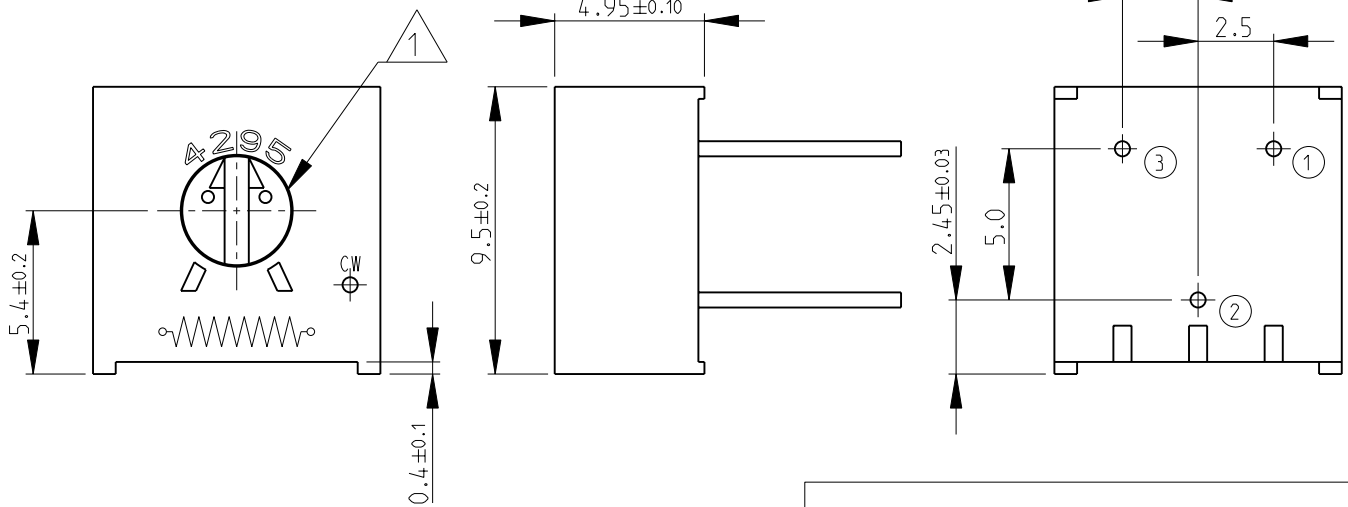
Address: A1208, Overseas Decoration Building, #122 Zhenhua RD., Futian, Shenzhen, China



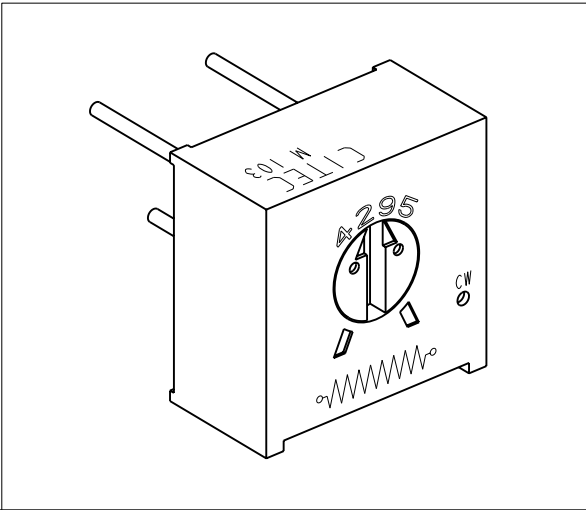
LOC		DIST		REVISIONS			
P	LTR	DESCRIPTION		DATE	DWN	APVD	
E	B	BA	NEW RELEASE	10-Sep-08	SM	St.P	



- 1 TOP ADJUSTMENT SLOT:
Length- 3.7 ± 0.2 , Width- 0.8 ± 0.1 , Depth- 0.8 ± 0.1
- 2 MARKING: RESISTANCE VALUE AND PIN ORIENTATION
- 3 FOR FURTHER INFORMATION SEE DATA SHEET FOR 4295 SERIES-PROFESSIONAL TRIMMERS



RoHS Compliant



2008
RELEASED FOR PUBLICATION
BY TYCO ELECTRONICS CORPORATION. ALL RIGHTS RESERVED.
COPYRIGHT 2008

DIMENSIONS: mm	DWN	SUBHASH.M	10-Sep-08	MATERIAL	-	FINISH	-
	CHK	PRAKASH.S	10-Sep-08	Tyco Electronics Dorcan, Swindon, SN3 5HH			
TOLERANCES UNLESS OTHERWISE SPECIFIED:	APVD	STEPHEN.P	10-Sep-08				
	0 PLC	±0.2	PRODUCT SPEC	-	SIZE	CAGE CODE	DRAWING NO
1 PLC	±0.1	APPLICATION SPEC	-	A 4	00779	©-1623837	-
2 PLC	±-	WEIGHT	-	CUSTOMER DRAWING			
3 PLC	±-			SCALE	4:1	SHEET	1 OF 1
4 PLC	±-					REV	BA
ANGLES	±5°						