



Chipsmall Limited consists of a professional team with an average of over 10 year of expertise in the distribution of electronic components. Based in Hongkong, we have already established firm and mutual-benefit business relationships with customers from,Europe,America and south Asia,supplying obsolete and hard-to-find components to meet their specific needs.

With the principle of "Quality Parts,Customers Priority,Honest Operation,and Considerate Service",our business mainly focus on the distribution of electronic components. Line cards we deal with include Microchip,ALPS,ROHM,Xilinx,Pulse,ON,Everlight and Freescale. Main products comprise IC,Modules,Potentiometer,IC Socket,Relay,Connector.Our parts cover such applications as commercial,industrial, and automotives areas.

We are looking forward to setting up business relationship with you and hope to provide you with the best service and solution. Let us make a better world for our industry!



Contact us

Tel: +86-755-8981 8866 Fax: +86-755-8427 6832

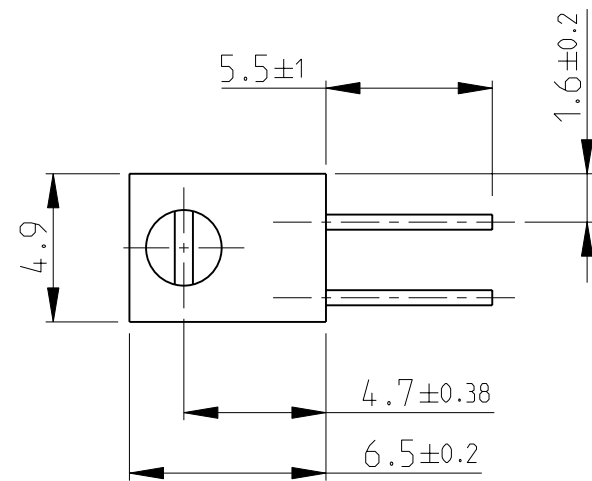
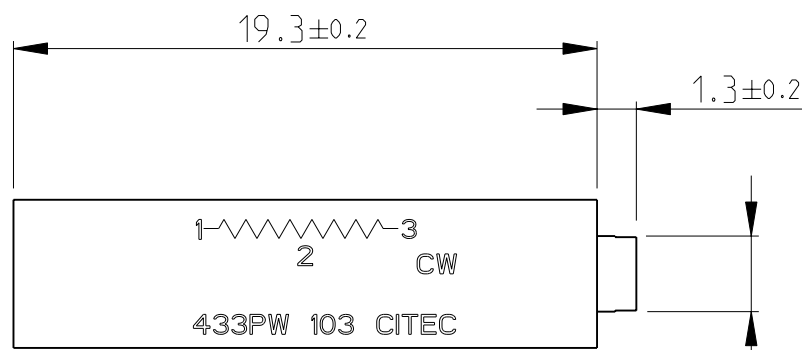
Email & Skype: info@chipsmall.com Web: www.chipsmall.com

Address: A1208, Overseas Decoration Building, #122 Zhenhua RD., Futian, Shenzhen, China

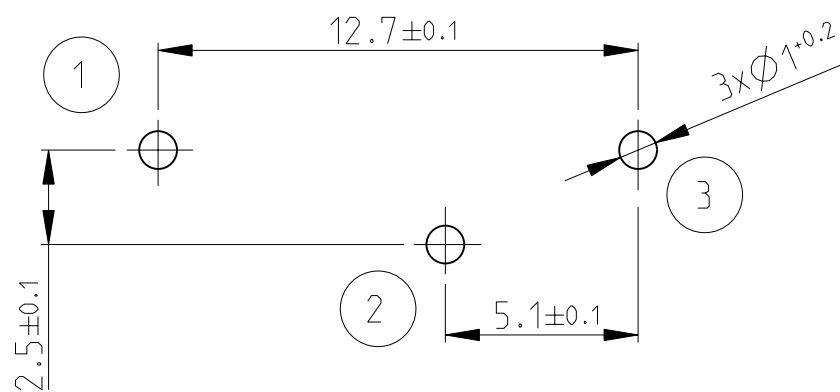
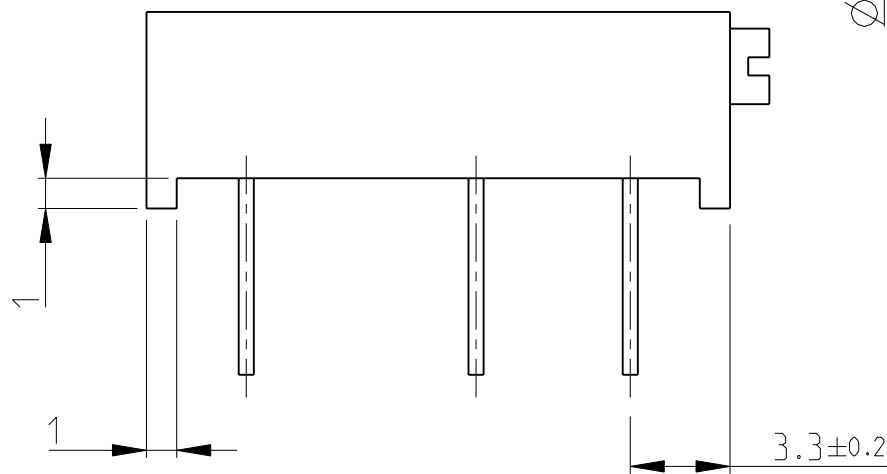


LOC	DIST	REVISIONS			
P	LTR	DESCRIPTION	DATE	DWN	APVD
E	B	B	ECR-12-010067	18MAY2012	KR St.P

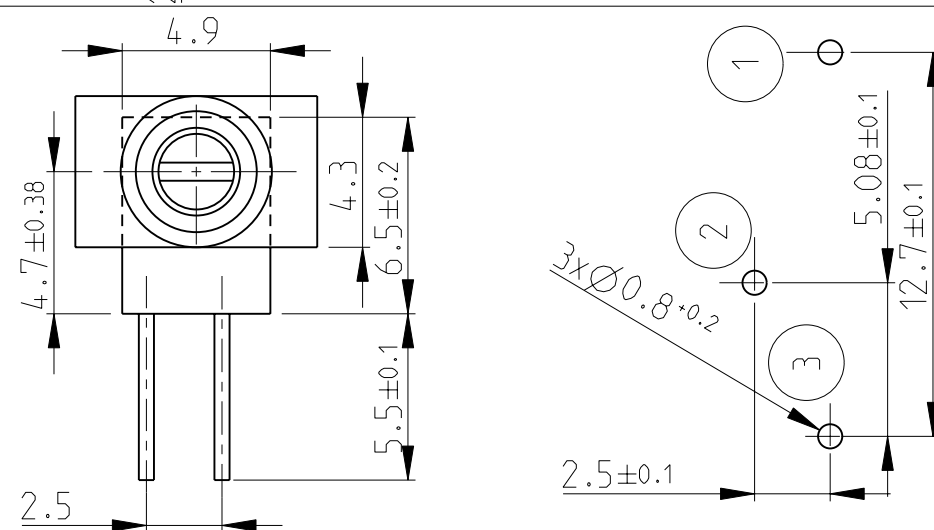
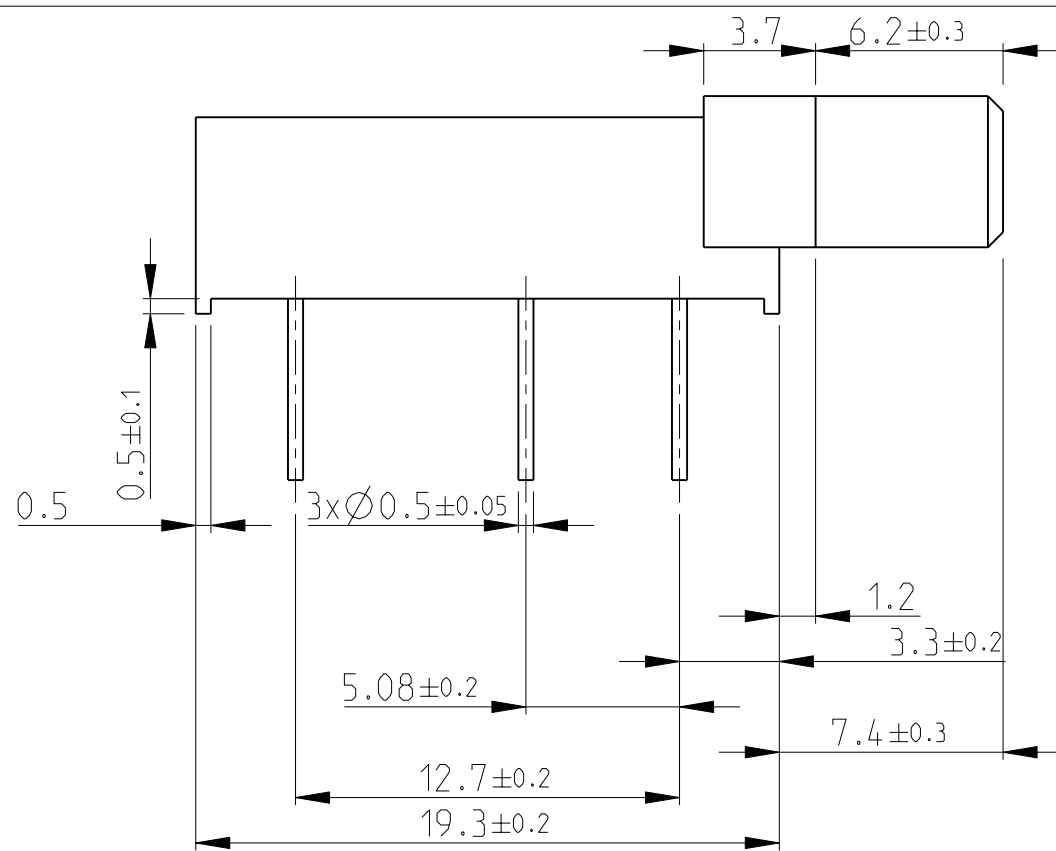
FOR FURTHER INFORMATION SEE DATA SHEET FOR 433 SERIES-PROFESSIONAL TRIMMERS



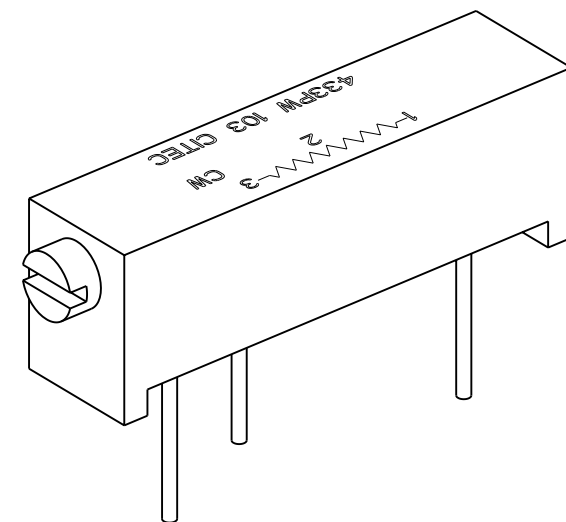
PCB Piercing Plan



RoHS Compliant



PCB Piercing Plan



THIS DRAWING IS A CONTROLLED DOCUMENT.

DWN	SUBHASH	07-07-08
CHK	PRAKASH	07-07-08
APVD	STEPHEN.P	07-07-08



DIMENSIONS:	TOLERANCES UNLESS OTHERWISE SPECIFIED:
mm	
0 PLC	±0.5
1 PLC	±0.2
2 PLC	±0.1
3 PLC	±
4 PLC	±
ANGLES	±1°
MATERIAL	FINISH

PRODUCT SPEC	-
APPLICATION SPEC	-
WEIGHT	-

NAME		PROFESSIONAL TRIMMERS	
		SERIES 433	
SIZE	CAGE CODE	DRAWING NO	RESTRICTED TO
A3	00779	©=1623866	-

CUSTOMER DRAWING	SCALE 5:1	SHEET 1 OF 1	REV B
------------------	-----------	--------------	-------