

Chipsmall Limited consists of a professional team with an average of over 10 year of expertise in the distribution of electronic components. Based in Hongkong, we have already established firm and mutual-benefit business relationships with customers from,Europe,America and south Asia,supplying obsolete and hard-to-find components to meet their specific needs.

With the principle of “Quality Parts,Customers Priority,Honest Operation,and Considerate Service”,our business mainly focus on the distribution of electronic components. Line cards we deal with include Microchip,ALPS,ROHM,Xilinx,Pulse,ON,Everlight and Freescale. Main products comprise IC,Modules,Potentiometer,IC Socket,Relay,Connector.Our parts cover such applications as commercial,industrial, and automotives areas.

We are looking forward to setting up business relationship with you and hope to provide you with the best service and solution. Let us make a better world for our industry!



Contact us

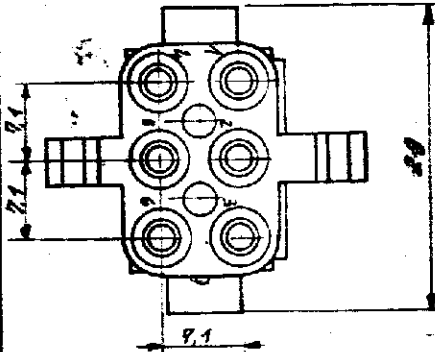
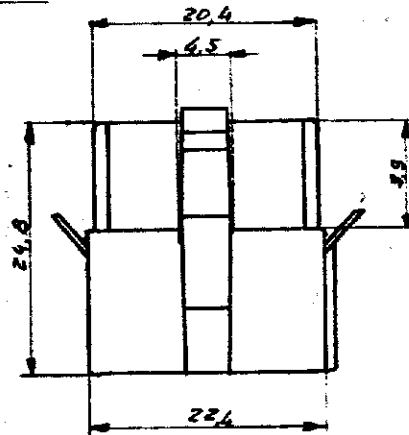
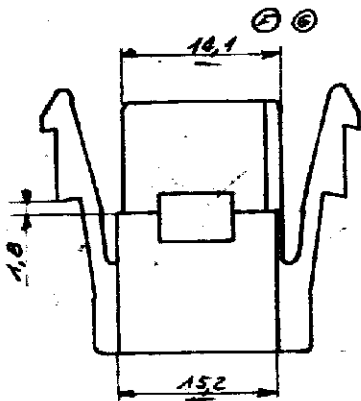
Tel: +86-755-8981 8866 Fax: +86-755-8427 6832

Email & Skype: info@chipsmall.com Web: www.chipsmall.com

Address: A1208, Overseas Decoration Building, #122 Zhenhua RD., Futian, Shenzhen, China

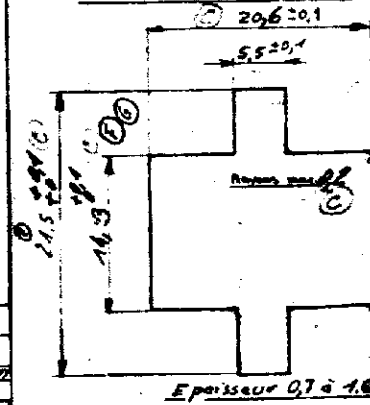
NUMERO
C-163036

Projection americaine



Sens de poinçonnage du panneau identique au sens par lequel sera inséré le boîtier sur le panneau.

DECOUPE DU PANNEAU:



1.163036.9	Noir
1.163036.8	Gris
1.163036.7	Violet
1.163036.6	Bleu
1.163036.5	Verr
1.163036.4	Jaune
1.163036.3	Orange
1.163036.2	Rouge
1.163036.1	Marron
1.163036.0	Naturel

DIFFUSION 44

DO NOT SCALE PRINT

NUMERO	COULEUR	REVISION	RECORD	DR	CHK	DATE
F	14.9 ± 0.1 / 14.3 ± 0.1	14.7	14.3	23.1	24	21.11.65
E	Revisé	H		23.11.65		
D	Revisé	H		23.11.65		
C	Projeté design panneau.	14.11.65		14.11.65		
B	Revisé	YK		2.10.65		
A	Revisé	HD		14.11.65		
LTR	REV. 5 ON RECORD	DR	CHK	DATE	TOLERANCE EXCEPT AS NOTED = 0.05	
DR	HD 31.11.65	DE			SCALE	2.1
CHK	DB 9.1.65	APP			TYPE	Male. H. Lokom. encastré

©1965 BY AMP INCORPORATED ALL RIGHTS RESERVED AMP PRODUCTS COVERED BY PATENTS AND OR PATENTS PENDING	
MATERIAL AND FINISH	
NYLON	
CLASS	
TYPE Male. H. Lokom. encastré	
NAME	

CUSTOMER COPY REFERENCE ONLY	
AMP DE FRANCESA PONTISE	
CLASS	
TYPE Male. H. Lokom. encastré	
NAME	
NO C.163036	
REV. G	

BOITIER 6 VOIES PORTE RECEPTACLE

1252. REV. 7/60