



Chipsmall Limited consists of a professional team with an average of over 10 year of expertise in the distribution of electronic components. Based in Hongkong, we have already established firm and mutual-benefit business relationships with customers from,Europe,America and south Asia,supplying obsolete and hard-to-find components to meet their specific needs.

With the principle of “Quality Parts,Customers Priority,Honest Operation,and Considerate Service”,our business mainly focus on the distribution of electronic components. Line cards we deal with include Microchip,ALPS,ROHM,Xilinx,Pulse,ON,Everlight and Freescale. Main products comprise IC,Modules,Potentiometer,IC Socket,Relay,Connector.Our parts cover such applications as commercial,industrial, and automotives areas.

We are looking forward to setting up business relationship with you and hope to provide you with the best service and solution. Let us make a better world for our industry!



Contact us

Tel: +86-755-8981 8866 Fax: +86-755-8427 6832

Email & Skype: info@chipsmall.com Web: www.chipsmall.com

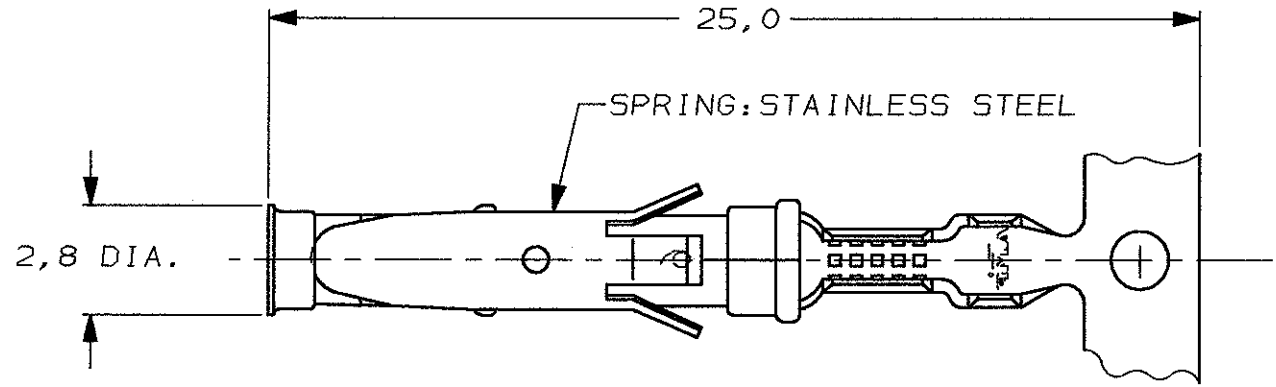
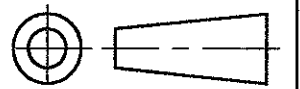
Address: A1208, Overseas Decoration Building, #122 Zhenhua RD., Futian, Shenzhen, China



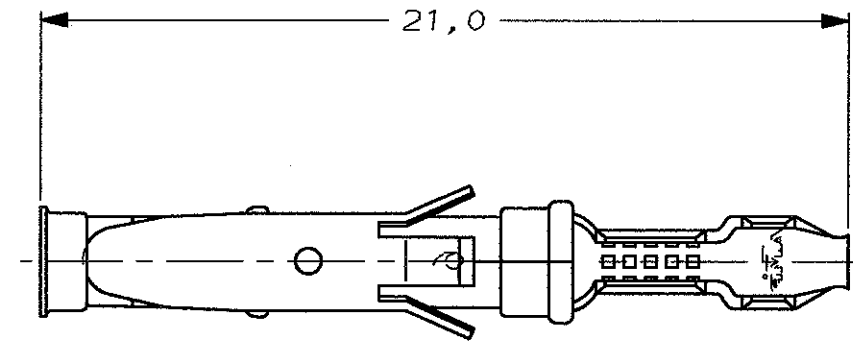
DO NOT SCALE
DIMENSIONS IN mm

METRIC

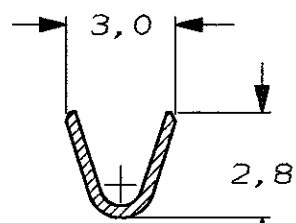
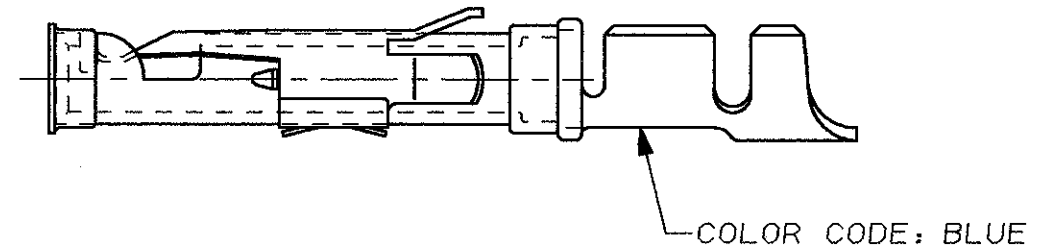
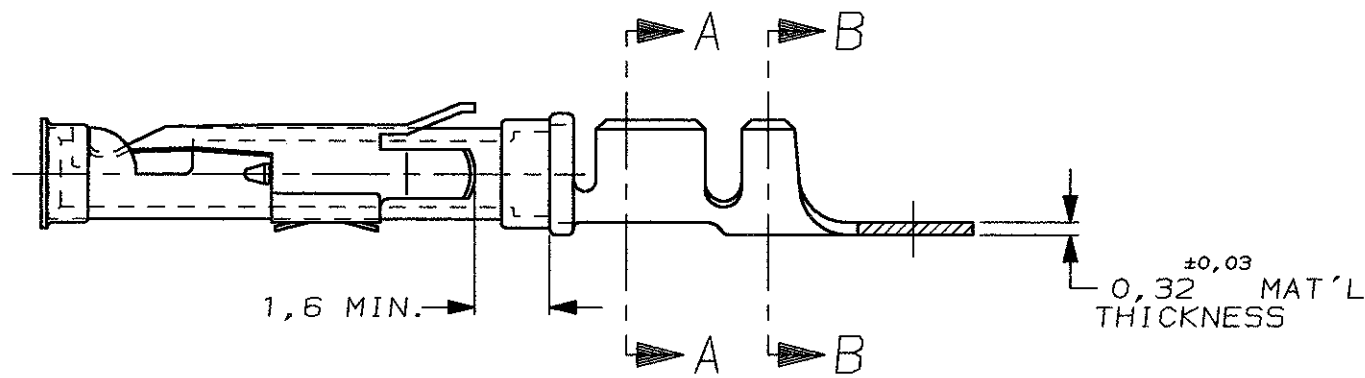
THIRD ANGLE
PROJECTION



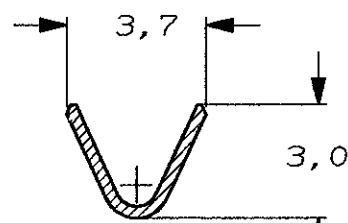
STRIP



LOOSE-PIECE



SECTION A-A



SECTION B-B

WIRE RANGE : 0,75-1,50 mm² (18-16 AWG)
INSUL. RANGE : 2,0 -2,5 mm (.080-.100)

△5 OBSOLETE	5-163083-3	△4	△C		BRASS	ECON. GOLD	△21	
	5-163083-2	△1	△4	△C		BRASS	SEL. GOLD	△22
	5-163083-1	△1	△4	△C		BRASS	EL. TIN	△20
	1-163083-4		△A	1-163084-4	BRASS	EL. TIN	△31 △20	
△5 OBSOLETE	1-163083-3		△A	1-163084-3	BRASS	BR. TIN/LEAD	△30	
	1-163083-2		△A		BRASS	SILVER	△28	
	1-163083-1		△A		BRASS	ECON. GOLD	△21	
	1-163083-0		△B	1-163084-0	BRASS	ECON. GOLD	△21	
	163083-9		△B		BRASS	SILVER	△28	
	163083-8		△A		BRASS	EL. TIN	△20	
	163083-7		△A		BRASS	SEL. GOLD	△22	
	163083-2	△1	△B	163084-2	BRASS	SEL. GOLD	△22	
	163083-1	△1	△B	163084-1	BRASS	EL. TIN	△20	
	PARTNUMBER		DIRECTION OF REEL	LOOSE-PIECE	MATERIAL	PLATING		

DIRECTION OFF TOP OF REEL
AMPOMATOR + MINI-APPL.
107-3-FIG.1 △A
107-3-FIG.2 △B
107-3-FIG.4 △C

NOTES	MATERIAL	THICKNESS	AREA
△20	TIN	2,0 μm	ALL OVER
△21	NICKEL GOLD TIN/LEAD	0,8 μm	ALL OVER CONTACT AREA BARREL
△22	NICKEL GOLD GOLD	0,8 μm	ALL OVER CONTACT AREA ALL OVER
△23	NICKEL GOLD GOLD	1,2 μm	ALL OVER CONTACT AREA ALL OVER
△24	NICKEL SILVER TIN/LEAD	2,5 μm	ALL OVER CONTACT AREA BARREL
△25	SILVER NICKEL	1,5-2,5 μm 0,76 μm	ALL OVER ALL OVER
△26	SILVER	2,5 μm	ALL OVER
△30	NICKEL TIN/LEAD	1,27 μm 1,27 μm	ALL OVER ALL OVER
△31	LUBRICATED		

DR.	CHK.	APP.	DATE
-	-	-	-
-	-	-	-
-	-	-	-
DR.	CHK.	APP.	DATE
DATE:	DATE:	DATE:	DATE:

CUSTOMER DRAWING FOR REFERENCE ONLY WILL NOT BE UPDATED
© COPYRIGHT 19- BY AMP HOLLAND B.V.
ALL INTERNATIONAL RIGHTS RESERVED. AMP PRODUCTS MAY BE COVERED BY U.S. AND FOREIGN AND/OR PATENTS PENDING.
THIS DRAWING IS UNPUBLISHED
RELEASED FOR PUBLICATION 19-
AMP AMP HOLLAND B.V.
's-Hertogenbosch,
The Netherlands.
SOCKET TYPE III CONTACT
SIZE 16

NOTES :

- △1 U.L. RECONIZED UNDER FILE E28476 VOL. VI SEC. I .
- 2 FOR CRIMPDETAILS SEE AMP-SPEC. 114-19.000 .
- 3 MEETS PRODUCTSPECIFICATION 108-10042.
- △4 SPECIAL REEL WITH 200 PCS FOR REEL-FED HANDTOOL.
- △5 OBSOLETE PARTS: OBSOLETE CIS STREAMLINING PER D.RENAUD/D.SINISI