



Chipsmall Limited consists of a professional team with an average of over 10 year of expertise in the distribution of electronic components. Based in Hongkong, we have already established firm and mutual-benefit business relationships with customers from,Europe,America and south Asia,supplying obsolete and hard-to-find components to meet their specific needs.

With the principle of "Quality Parts,Customers Priority,Honest Operation,and Considerate Service",our business mainly focus on the distribution of electronic components. Line cards we deal with include Microchip,ALPS,ROHM,Xilinx,Pulse,ON,Everlight and Freescale. Main products comprise IC,Modules,Potentiometer,IC Socket,Relay,Connector.Our parts cover such applications as commercial,industrial, and automotives areas.

We are looking forward to setting up business relationship with you and hope to provide you with the best service and solution. Let us make a better world for our industry!



## Contact us

Tel: +86-755-8981 8866 Fax: +86-755-8427 6832

Email & Skype: info@chipsmall.com Web: www.chipsmall.com

Address: A1208, Overseas Decoration Building, #122 Zhenhua RD., Futian, Shenzhen, China

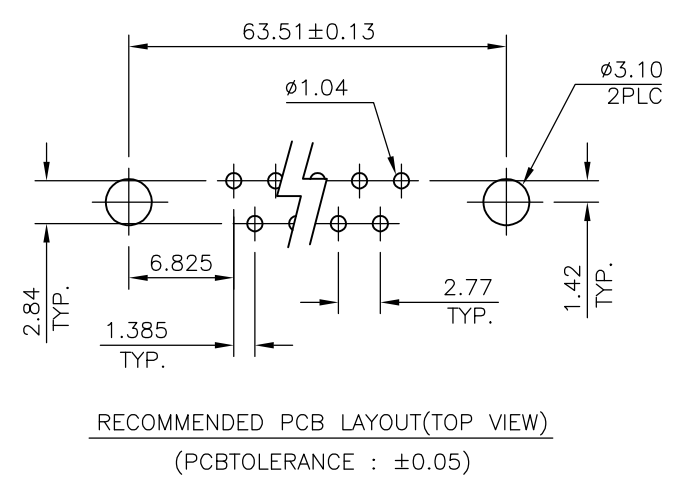
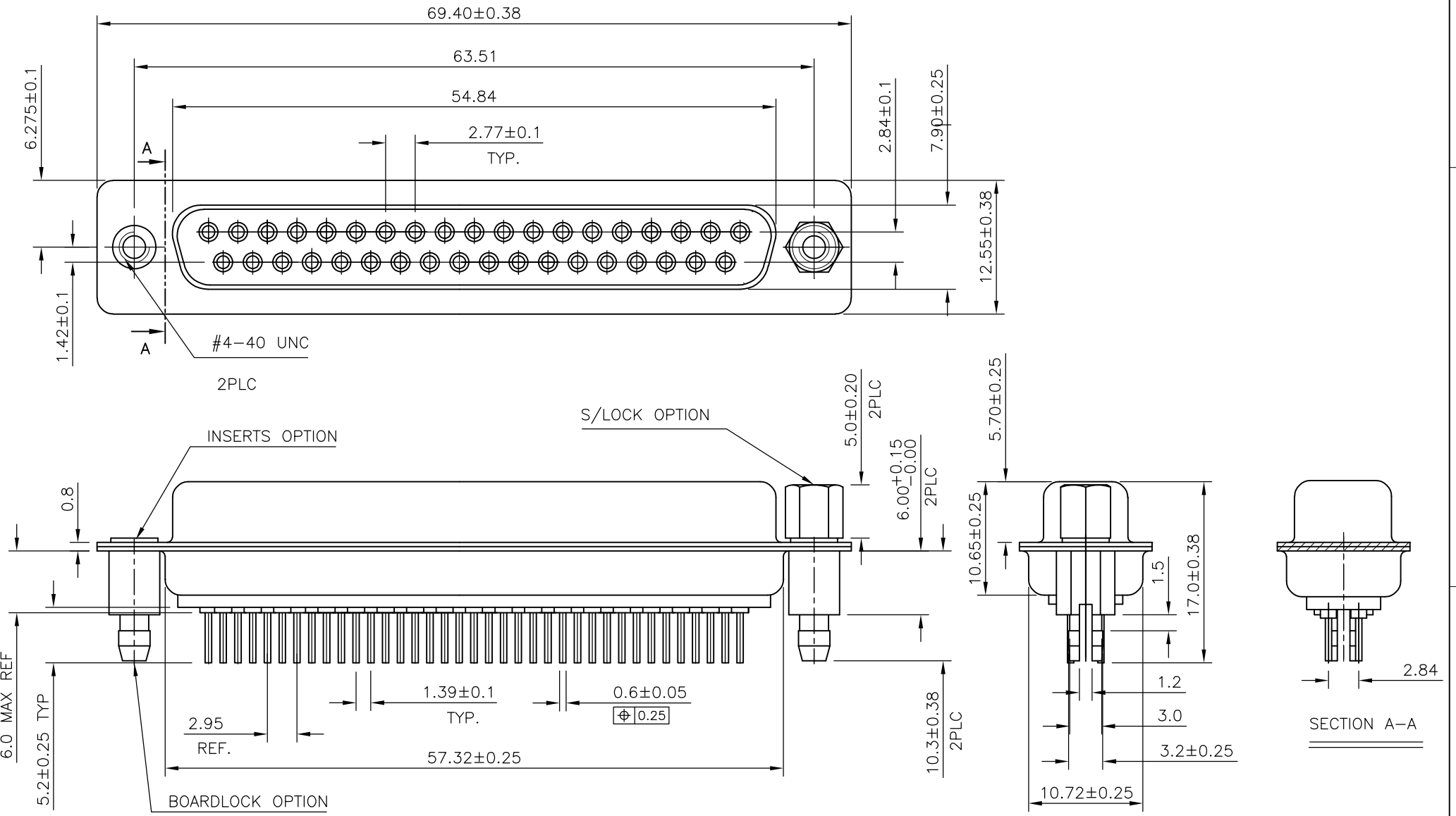


THIS DRAWING IS UNPUBLISHED. RELEASED FOR PUBLICATION APR ,2003.  
 © COPYRIGHT 2003 By - ALL RIGHTS RESERVED.

LOC	DIST	REVISIONS					
GP	00	P	LTR	DESCRIPTION	DATE	DWN	APVD
			J	REVISED PER ECO-14-000651	06FEB2014	AP	SB

- MATERIAL**  
 HOUSING : THERMOPLASTIC, UL94V-0, BLACK  
 CONTACTS : PHOSPHOR BRONZE  
 SHELL : STEEL  
 SCREW : BRASS.  
 BOARD LOCK : BRASS.  
 SCREW OF TORQUE : 5 Kg-cm MAX.
- FINISH**  
 CONTACT : 15μ" MIN.GOLD PLATING ON CONTACT AREA  
 100μ" MIN. TIN PLATING ON SOLDER TAILS  
 50μ" MIN. NICKEL UNDERPLATED OVERALL  
 SHELL : 100μ" MIN NICKEL PLATING  
 SCREW : 50μ" MIN. NICKEL PLATING.  
 BOARD LOCK : 50μ" MIN. NICKEL PLATING.
- CHARACTERISTICS**  
 CURRENT RATING : 3A  
 INSULATION RESISTANCE : 1000MOHMS MIN, 500VDC FOR 2MINS.  
 TEMPERATURE RATING : -55DEGC ~ +105DEGC  
 VOLTAGE RATING : 250VDC

4 OBSOLETE PARTS: OBSOLETE CIS STREAMLINING PER D.RENAUD/D.SINISI.



4 OBSOLETE	37W D SKT WITH B/L & M3 S/LOCK 15μ" GOLD	4-1634225-2
	37W D SKT WITH B/L & 4-40 S/LOCK 15μ" GOLD	3-1634225-2
4 OBSOLETE	37W D SKT WITH B/L & M3 INSERTS 15μ" GOLD	2-1634225-2
	37W D SKT WITH B/L & 4-40 INSERTS 15μ" GOLD	1-1634225-2
	DESCRIPTION	TE PART NO.

THIS DRAWING IS A CONTROLLED DOCUMENT.		DWN	J.SANDWELL	10APR03	<b>STE</b> TE Connectivity		
DIMENSIONS: mm		CHK	R.DYER	10APR03			
TOLERANCES UNLESS OTHERWISE SPECIFIED:		APVD	F.WHEELER-KING	10APR03	NAME		
0 PLC	± -	PRODUCT SPEC			D-SUB HD20, VERTICAL, 37P SKT CONNECTOR		
1 PLC	± 0.25	APPLICATION SPEC			SIZE	CAGE CODE	DRAWING NO
2 PLC	± 0.15	MATERIAL			A300779 C-1634225		
3 PLC	± -	FINISH			RESTRICTED TO	-	
4 PLC	± -	MATERIAL			WEIGHT	-	
ANGLES	± -	CUSTOMER DRAWING			SCALE	2:1	SHEET
						1 OF 2	REV
							J

THIS DRAWING IS UNPUBLISHED.

RELEASED FOR PUBLICATION APR , 2003.

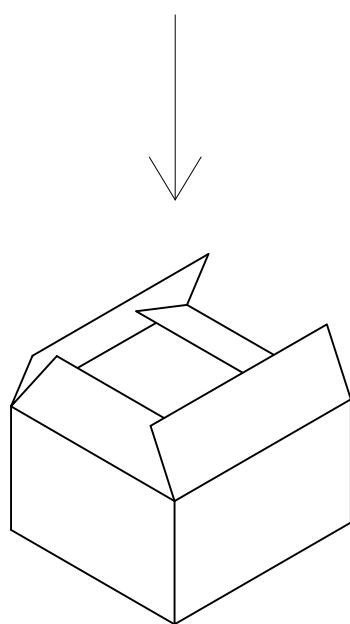
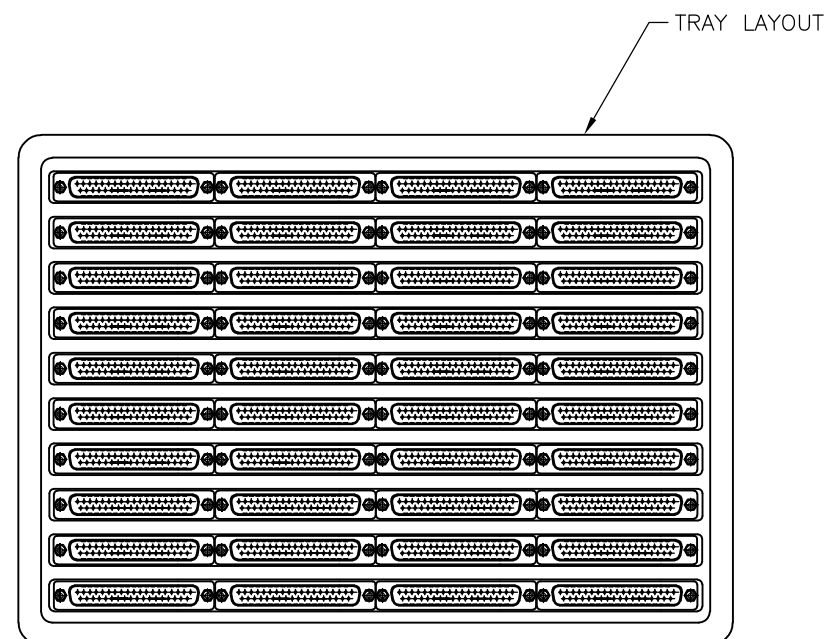
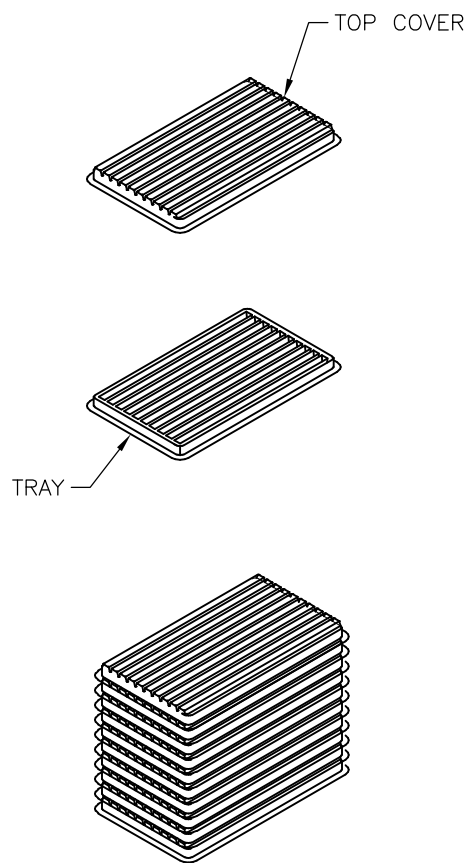
© COPYRIGHT 2003 By -

ALL RIGHTS RESERVED.


LOC GP DIST 00

REVISIONS

P	LTR	DESCRIPTION	DATE	DWN	APVD
-	-	SEE SHEET 1	-	-	-



- MATERIAL
- 1 TRAY: PVC
  - 2 SHIPPING CARTON: CORRUGATED FIBERBOARD
- DIMENSIONS
- 1 TRAY: L=310, W=230, H=21
  - 2 SHIPPING CARTON: L=330, W=245, H=160
- QUANTITY
- 40 PCS/TRAY
  - 10 TRAY/SHIPPING CARTON

THIS DRAWING IS A CONTROLLED DOCUMENT.		DWN J.SANDWELL 10APR03	 TE Connectivity														
DIMENSIONS: mm		CHK R.DYER 10APR03															
TOLERANCES UNLESS OTHERWISE SPECIFIED:		APVD F.WHEELER-KING 10APR03	NAME D-SUB HD20, VERTICAL, 37P SKT CONNECTOR														
<table border="1"> <tr><td>0 PLC</td><td>± -</td></tr> <tr><td>1 PLC</td><td>± 0.25</td></tr> <tr><td>2 PLC</td><td>± 0.15</td></tr> <tr><td>3 PLC</td><td>± -</td></tr> <tr><td>4 PLC</td><td>± -</td></tr> <tr><td>ANGLES</td><td>± -</td></tr> </table>		0 PLC	± -	1 PLC	± 0.25	2 PLC	± 0.15	3 PLC	± -	4 PLC	± -	ANGLES	± -	PRODUCT SPEC -	-		
0 PLC	± -																
1 PLC	± 0.25																
2 PLC	± 0.15																
3 PLC	± -																
4 PLC	± -																
ANGLES	± -																
MATERIAL -		FINISH -	APPLICATION SPEC -	SIZE A3	CAGE CODE 00779	DRAWING NO C-1634225	RESTRICTED TO -										
CUSTOMER DRAWING			WEIGHT -	SCALE 2:1	SHEET 2 OF 2	REV J											