



Chipsmall Limited consists of a professional team with an average of over 10 year of expertise in the distribution of electronic components. Based in Hongkong, we have already established firm and mutual-benefit business relationships with customers from,Europe,America and south Asia,supplying obsolete and hard-to-find components to meet their specific needs.

With the principle of “Quality Parts,Customers Priority,Honest Operation,and Considerate Service”,our business mainly focus on the distribution of electronic components. Line cards we deal with include Microchip,ALPS,ROHM,Xilinx,Pulse,ON,Everlight and Freescale. Main products comprise IC,Modules,Potentiometer,IC Socket,Relay,Connector.Our parts cover such applications as commercial,industrial, and automotives areas.

We are looking forward to setting up business relationship with you and hope to provide you with the best service and solution. Let us make a better world for our industry!



Contact us

Tel: +86-755-8981 8866 Fax: +86-755-8427 6832

Email & Skype: info@chipsmall.com Web: www.chipsmall.com

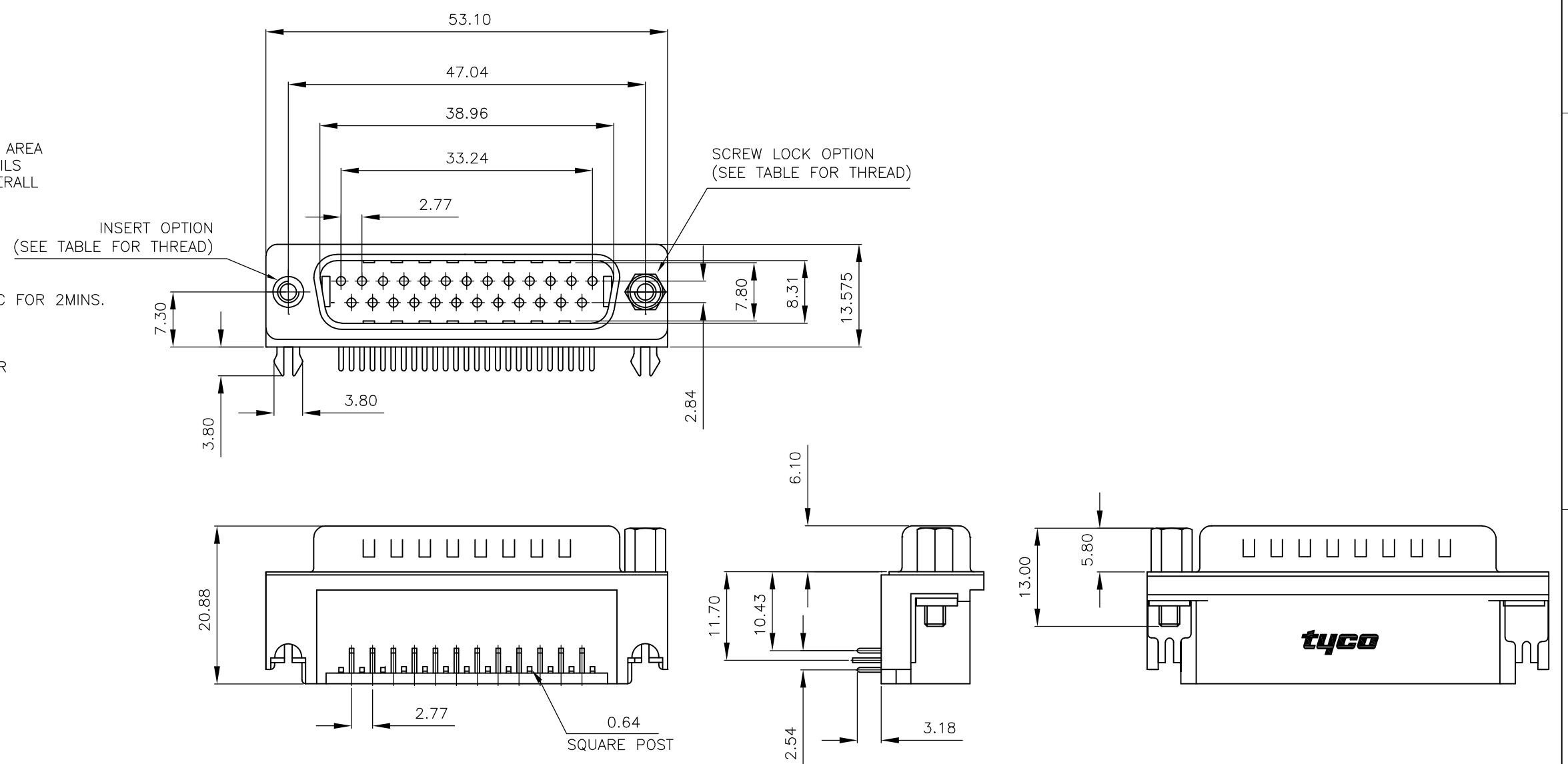
Address: A1208, Overseas Decoration Building, #122 Zhenhua RD., Futian, Shenzhen, China



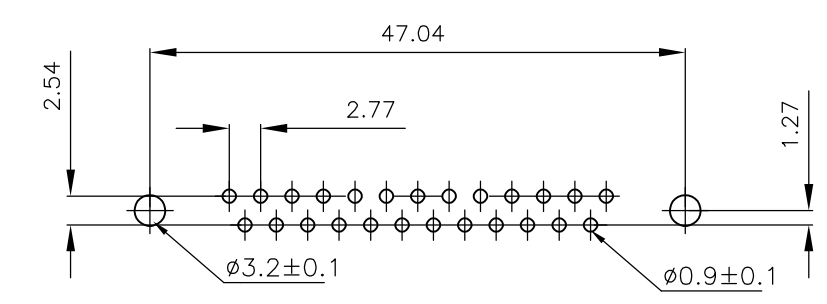
THIS DRAWING IS UNPUBLISHED. RELEASED FOR PUBLICATION
 © COPYRIGHT - By - ALL RIGHTS RESERVED.

| LOC | DIST | REVISIONS | | | |
|-----|------|-------------|---------------------------|-----------|-------|
| P | LTR | DESCRIPTION | DATE | DWN | APVD |
| E | B | C | REVISED PER ECO-14-000651 | 05FEB2014 | AP SB |

- FOR LOCAL DATA REFER TO YOUR LOCAL TE CONNECTIVITY SALES OFFICE.
 - ALL DIMENSIONS ARE NOMINAL FOR REFERENCE ONLY UNLESS OTHERWISE STATED.
 - MATERIAL :
 HOUSING : THERMOPLASTIC, UL94V-0
 BLACK COLOR
 CONTACTS : BRASS
 SHELL : STEEL
 BOARDLOCK : BRASS
 SCREW : BRASS
 - FINISH :
 CONTACT : 0.38µm MIN.GOLD PLATED ON CONTACT AREA
 2.54µm MIN. TIN PLATED ON SOLDER TAILS
 1.27µm MIN. NICKEL UNDERPLATED OVERALL
 SHELL : 2.54 µm MIN NICKEL PLATED.
 BOARD LOCK : 1.52µm MIN. TIN PLATED
 SCREW : 1.27µm MIN. NICKEL PLATED.
 - CHARACTERISTICS
 CURRENT RATING : 5A
 INSULATION RESISTANCE : 1000MOHMS MIN, 500VDC FOR 2MINS.
 TEMPERATURE RATING : -55DEGC ~ +105DEGC
 VOLTAGE RATING : 250VDC
- 6 OBSOLETE PARTS: OBSOLETE CIS STREAMLINING PER D.RENAUD/D.SINISI.



P.C.B. LAYOUT



| | | |
|------------|---|-------------|
| 6 OBSOLETE | 25 WAY D PLUG WITH BOARD LOCKS & 2 x M3 SCREW LOCKS, 0.38µm GOLD, RIGHT ANGLE | 4-1634582-2 |
| | 25 WAY D PLUG WITH BOARD LOCKS & 2 x 4-40 SCREW LOCKS, 0.38µm GOLD, RIGHT ANGLE | 3-1634582-2 |
| 6 OBSOLETE | 25 WAY D PLUG WITH BOARD LOCKS & 2 x M3 INSERTS, 0.38µm GOLD, RIGHT ANGLE | 2-1634582-2 |
| | 25 WAY D PLUG WITH BOARD LOCKS & 2 x 4-40 INSERTS, 0.38µm GOLD, RIGHT ANGLE | 1-1634582-2 |
| | DESCRIPTION | PART No. |

| | | | | |
|---|--|-------------------------------|--|----------------------|
| THIS DRAWING IS A CONTROLLED DOCUMENT. | | DWN J.SANDWELL 15SEP2003 | TE Connectivity | |
| DIMENSIONS: mm | | CHK S.EBBUTT 15SEP2003 | | |
| TOLERANCES UNLESS OTHERWISE SPECIFIED: | | APVD F.WHEELER-KING 15SEP2003 | NAME 25 WAY D-SUB PLUG WITH BOARD LOCK | |
| 0 PLC ± - 1 PLC ± - 2 PLC ± - 3 PLC ± - 4 PLC ± - ANGLES ± - | | PRODUCT SPEC - | SIZE A3 | |
| MATERIAL SEE NOTE | | APPLICATION SPEC - | CAGE CODE 00779 | DRAWING NO C-1634582 |
| FINISH - | | WEIGHT - | RESTRICTED TO - | |
| CUSTOMER DRAWING | | | SCALE NTS | SHEET 1 OF 2 |
| | | | REV C | |

THIS DRAWING IS UNPUBLISHED.

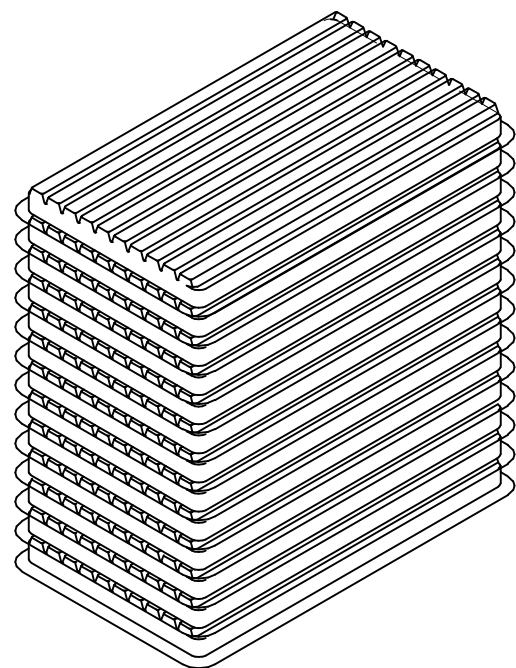
RELEASED FOR PUBLICATION

-. - .

ALL RIGHTS RESERVED.

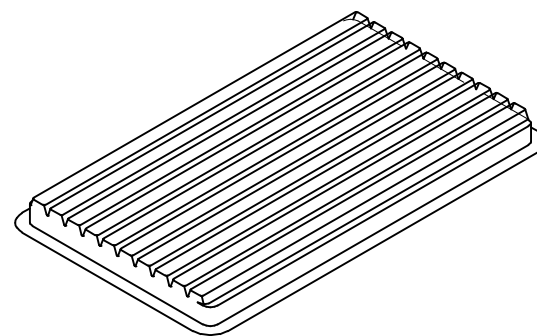
© COPYRIGHT - By -

| LOC | DIST | REVISIONS | | | |
|-----|------|-------------|------|-----|------|
| P | LTR | DESCRIPTION | DATE | DWN | APVD |
| | - | SEE SHEET 1 | - | - | - |

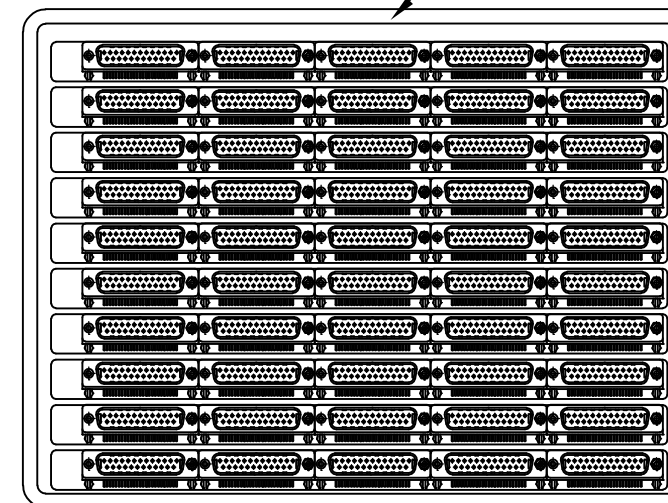


- 1 DIMENSION:
TRAY:L=310,W=220,H=23
SHIPPING BOX:L=335,W=230,H=320
- 2 QUANTITY:
50 PCS/TRAY
13 TRAY/SHIPPING BOX

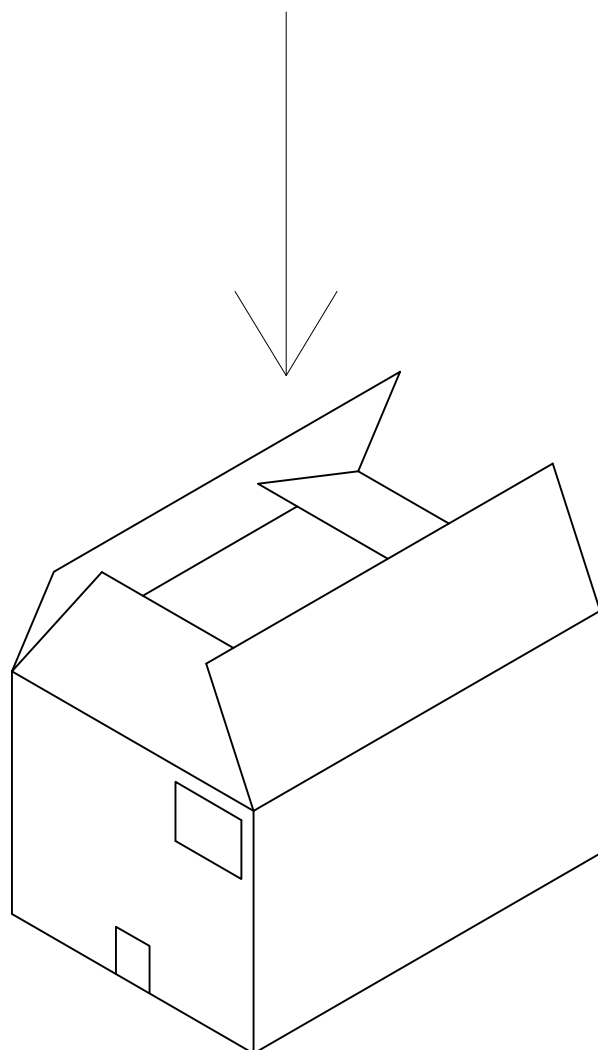
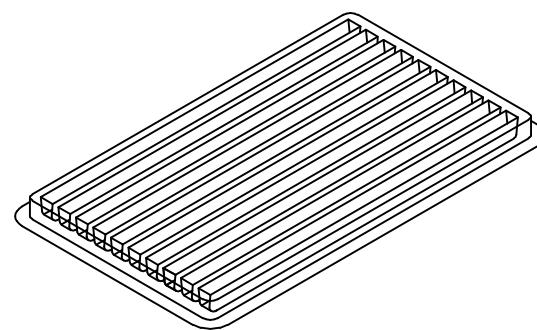
COVER


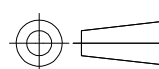


Tray Layout



TRAY



| | | | | | | | |
|---|--|-------------------------------------|---|-----------------|--------------------|-------------------------|--------------------|
| THIS DRAWING IS A CONTROLLED DOCUMENT. | | DWN J.SANDWELL 15SEP2003 |  TE Connectivity | | | | |
| DIMENSIONS: mm | | CHK S.EBBUTT 15SEP2003 | | | | | |
|  | | APVD F.WHEELER-KING 15SEP2003 | NAME 25 WAY D-SUB PLUG WITH BOARD LOCK | | | | |
| TOLERANCES UNLESS OTHERWISE SPECIFIED: | | PRODUCT SPEC | - | | | | |
| 0 PLC ± - 1 PLC ± - 2 PLC ± - 3 PLC ± - 4 PLC ± - ANGLES ± - | | APPLICATION SPEC | - | | | | |
| MATERIAL SEE NOTE | | FINISH - | WEIGHT - | SIZE A3 | CAGE CODE 00779 | DRAWING NO C-1634582 | RESTRICTED TO - |
| CUSTOMER DRAWING | | | SCALE NTS | SHEET 2 OF 2 | REV C | | |