



Chipsmall Limited consists of a professional team with an average of over 10 year of expertise in the distribution of electronic components. Based in Hongkong, we have already established firm and mutual-benefit business relationships with customers from,Europe,America and south Asia,supplying obsolete and hard-to-find components to meet their specific needs.

With the principle of "Quality Parts,Customers Priority,Honest Operation,and Considerate Service",our business mainly focus on the distribution of electronic components. Line cards we deal with include Microchip,ALPS,ROHM,Xilinx,Pulse,ON,Everlight and Freescale. Main products comprise IC,Modules,Potentiometer,IC Socket,Relay,Connector.Our parts cover such applications as commercial,industrial, and automotives areas.

We are looking forward to setting up business relationship with you and hope to provide you with the best service and solution. Let us make a better world for our industry!



Contact us

Tel: +86-755-8981 8866 Fax: +86-755-8427 6832

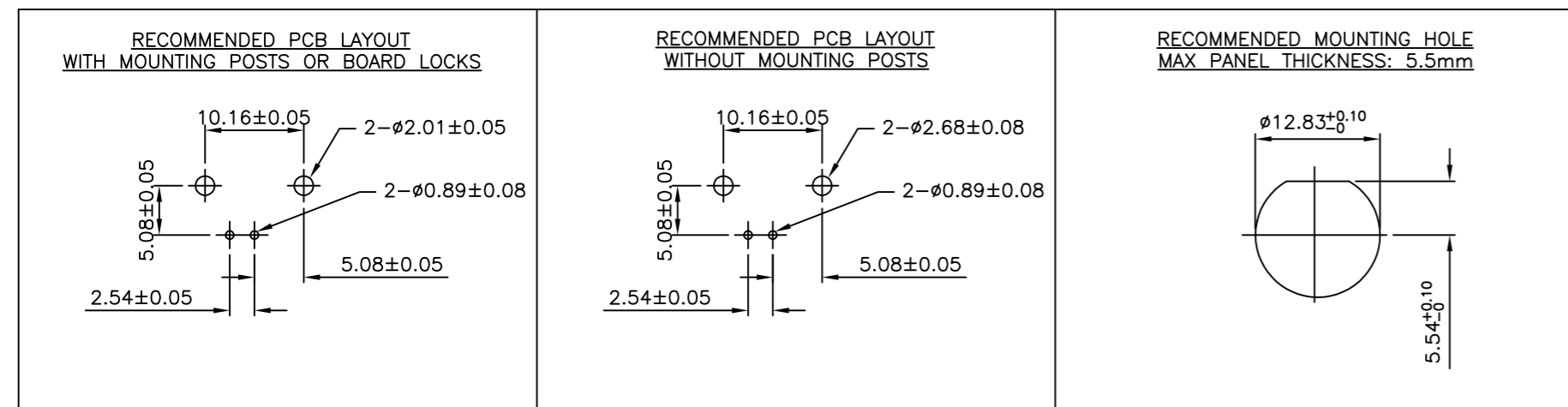
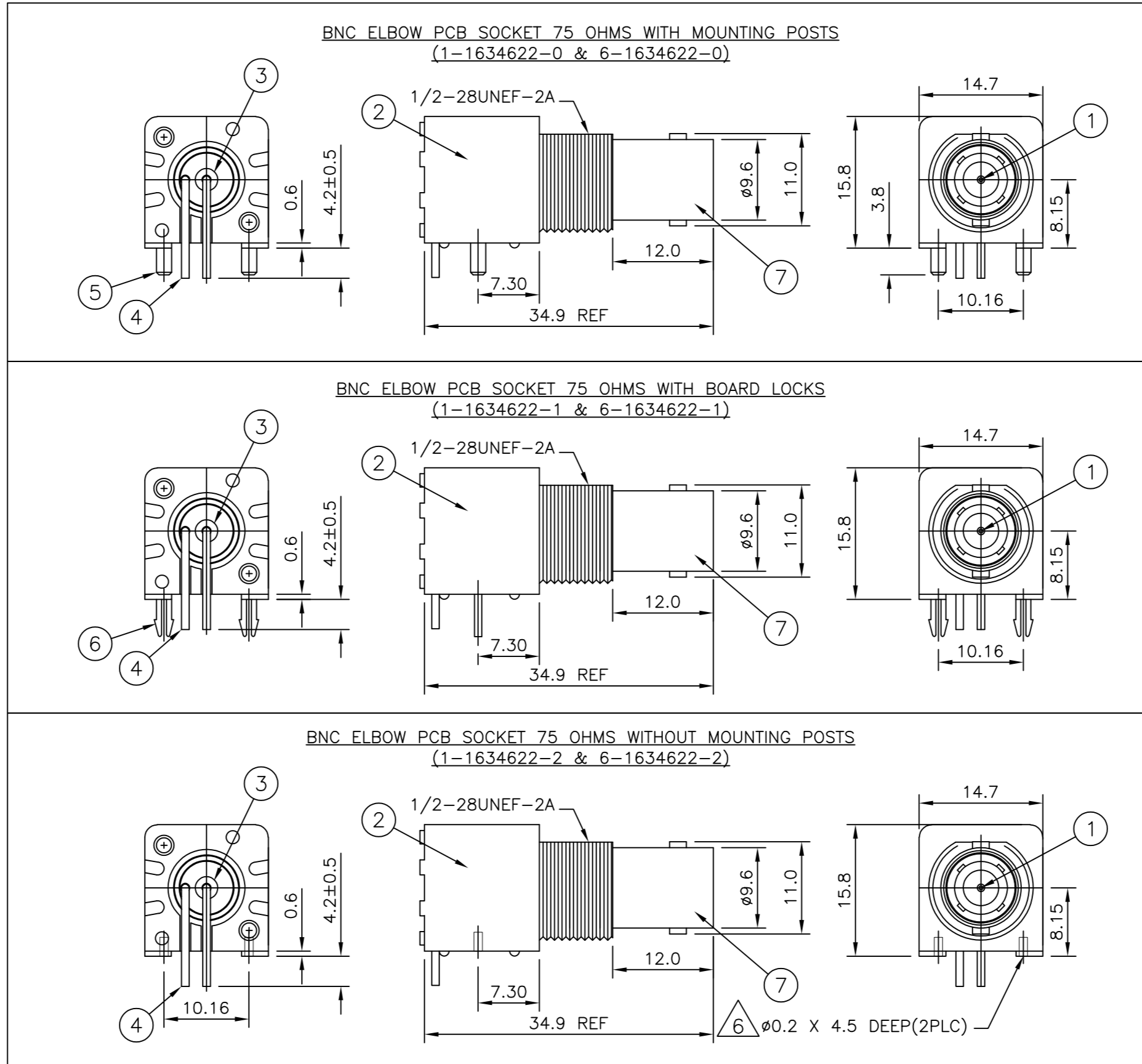
Email & Skype: info@chipsmall.com Web: www.chipsmall.com

Address: A1208, Overseas Decoration Building, #122 Zhenhua RD., Futian, Shenzhen, China



| LOC | | DIST | | REVISIONS | | | |
|-----|-----|---------------------------|-----------|-----------|--------|--|--|
| P | LTR | DESCRIPTION | DATE | DWN | APVD | | |
| | C1 | REVISED PER ECO-11-005033 | 31MAR11 | RK | HMR | | |
| | D | ECO-12-014680 | 20Aug2012 | TITAN | MARTIN | | |
| | E | ECO-12-018113 | 27DEC2012 | TITAN | MARTIN | | |

- NOTES:**
- 1 SINGLE PACK IN ACCORDANCE WITH AMP SPEC 107-3275
 - 2 50 TRAY PACK IN ACCORDANCE WITH AMP SPEC 107-3275
 - 3 GOLD PLATING
 - 4 NICKEL PLATING
 - 5 TIN PLATING
 - 6 RECOMMENDED SELF-TAPPING SCREW 221108-4
 7. RECOMMENDED MOUNT NUT 1-1634816-0
 8. RECOMMENDED LOCKWASHER 1-1634817-0
 9. FOR TECHNICAL DATA REFER TO YOUR LOCAL TE CONNECTIVITY SALES OFFICE
 10. ALL DIMENSIONS ARE NOMINAL FOR REFERENCE ONLY UNLESS OTHERWISE STATED



| Obsolete | Obsolete | Obsolete | Obsolete | Obsolete | Obsolete | Obsolete | Obsolete | Obsolete | Obsolete | Obsolete | Obsolete | Obsolete | Obsolete | Obsolete | Obsolete | Obsolete | Obsolete | Obsolete | Obsolete |
|--------------|----------|----------|----------|----------|----------|----------|----------|----------|----------|-----------------|----------|----------|----------|----------|----------|----------|----------|----------|----------|
| 1 | 1 | 1 | 1 | 1 | 1 | 1 | 1 | 1 | 1 | 1 | 1 | 1 | 1 | 1 | 1 | 1 | 1 | 1 | 1 |
| - | - | 2 | 2 | - | - | 2 | 2 | - | - | - | - | - | - | - | - | - | - | - | - |
| - | - | - | - | - | - | 2 | 2 | - | - | - | - | - | - | - | - | - | - | - | - |
| 1 | 1 | 1 | 1 | 1 | 1 | 1 | 1 | 1 | 1 | 1 | 1 | 1 | 1 | 1 | 1 | 1 | 1 | 1 | 1 |
| 1 | 1 | 1 | 1 | 1 | 1 | 1 | 1 | 1 | 1 | 1 | 1 | 1 | 1 | 1 | 1 | 1 | 1 | 1 | 1 |
| 1 | 1 | 1 | 1 | 1 | 1 | 1 | 1 | 1 | 1 | 1 | 1 | 1 | 1 | 1 | 1 | 1 | 1 | 1 | 1 |
| 1 | 1 | 1 | 1 | 1 | 1 | 1 | 1 | 1 | 1 | 1 | 1 | 1 | 1 | 1 | 1 | 1 | 1 | 1 | 1 |
| 1 | 1 | 1 | 1 | 1 | 1 | 1 | 1 | 1 | 1 | 1 | 1 | 1 | 1 | 1 | 1 | 1 | 1 | 1 | 1 |
| 6--2 | 1--2 | 6--1 | 1--1 | 6--0 | 1--0 | 1--0 | 1--0 | 1--0 | 1--0 | 1--0 | 1--0 | 1--0 | 1--0 | 1--0 | 1--0 | 1--0 | 1--0 | 1--0 | 1--0 |
| △ | △ | △ | △ | △ | △ | △ | △ | △ | △ | △ | △ | △ | △ | △ | △ | △ | △ | △ | △ |
| ZINC DIECAST | | | | | | | | | | △ BODY | | 7 | | | | | | | |
| BRASS | | | | | | | | | | △ BOARD LOCK | | 6 | | | | | | | |
| BRASS | | | | | | | | | | △ MOUNTING POST | | 5 | | | | | | | |
| BRASS | | | | | | | | | | △ SOLDER TAIL | | 4 | | | | | | | |
| PE-606 | | | | | | | | | | INSULATOR | | 3 | | | | | | | |
| PBT BLACK | | | | | | | | | | HOUSING | | 2 | | | | | | | |
| BRASS | | | | | | | | | | △ CONTACT | | 1 | | | | | | | |
| MATERIAL | | | | | | | | | | DESCRIPTION | | ITEM | | | | | | | |

THIS DRAWING IS A CONTROLLED DOCUMENT.

DWN RITA ZUO 05 Mar 09
 CHK ANSON MA 05 Mar 09
 APVD BOB ZHAO 05 Mar 09

TE Connectivity

BNC R/A INSULATED PCB SOCKET
75 OHM BLACK

108-112000

SIZE A2 CAGE CODE 00779 DRAWING NO. C=1634622 RESTRICTED TO -

SCALE NTS SHEET 1 OF 1 REV E

CUSTOMER DRAWING