



Chipsmall Limited consists of a professional team with an average of over 10 year of expertise in the distribution of electronic components. Based in Hongkong, we have already established firm and mutual-benefit business relationships with customers from,Europe,America and south Asia,supplying obsolete and hard-to-find components to meet their specific needs.

With the principle of “Quality Parts,Customers Priority,Honest Operation,and Considerate Service”,our business mainly focus on the distribution of electronic components. Line cards we deal with include Microchip,ALPS,ROHM,Xilinx,Pulse,ON,Everlight and Freescale. Main products comprise IC,Modules,Potentiometer,IC Socket,Relay,Connector.Our parts cover such applications as commercial,industrial, and automotives areas.

We are looking forward to setting up business relationship with you and hope to provide you with the best service and solution. Let us make a better world for our industry!



## Contact us

Tel: +86-755-8981 8866 Fax: +86-755-8427 6832

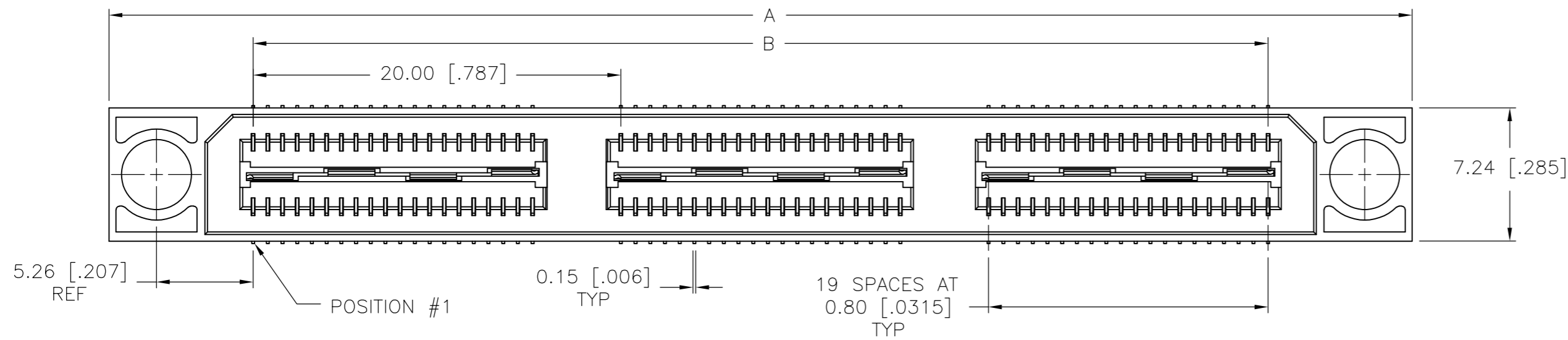
Email & Skype: info@chipsmall.com Web: www.chipsmall.com

Address: A1208, Overseas Decoration Building, #122 Zhenhua RD., Futian, Shenzhen, China

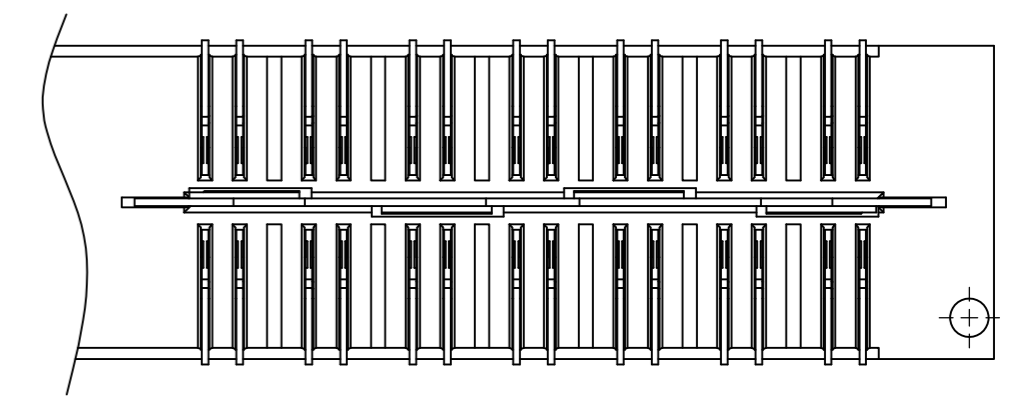
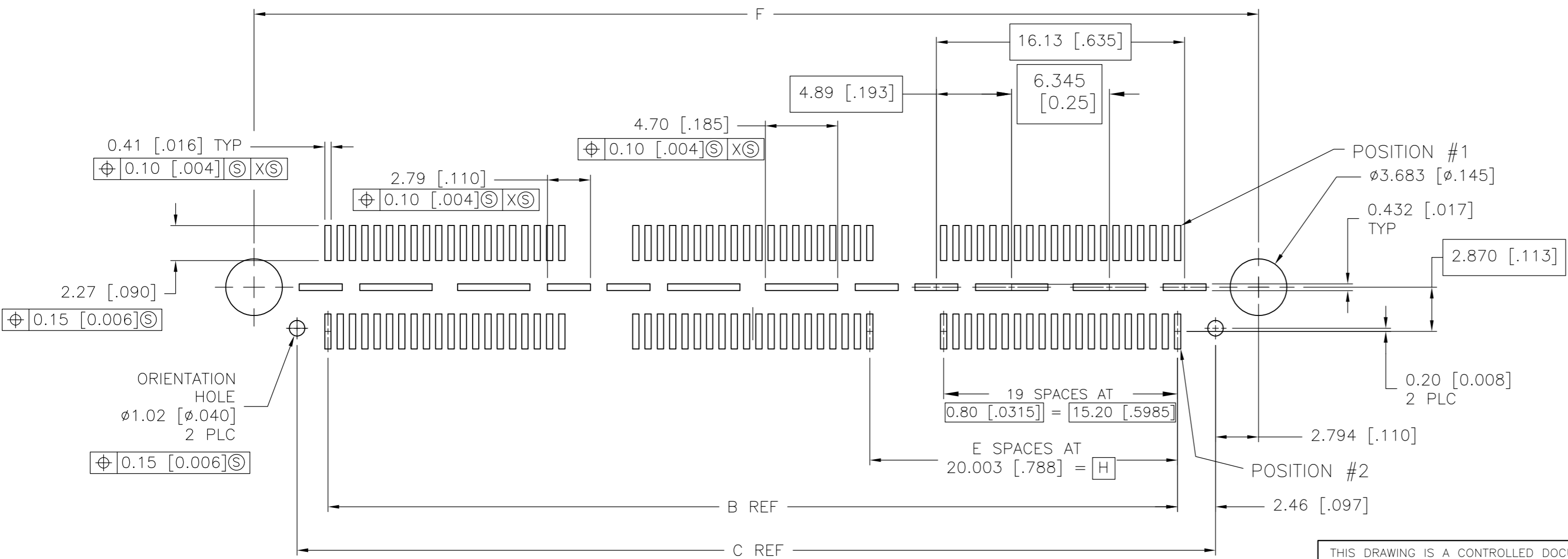
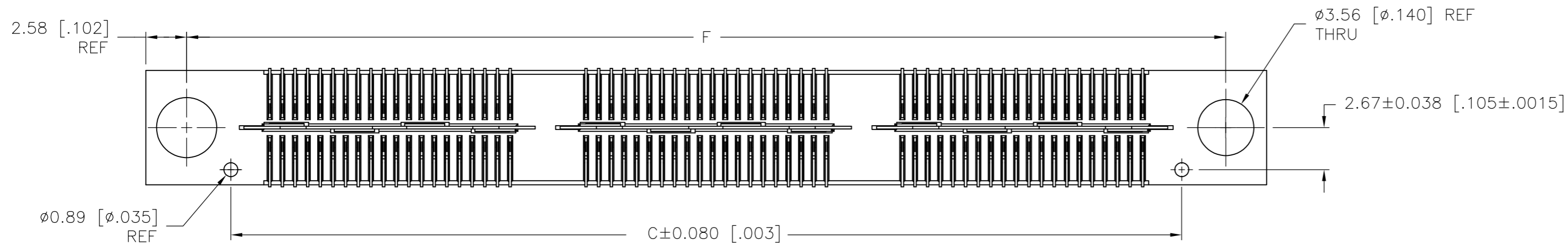
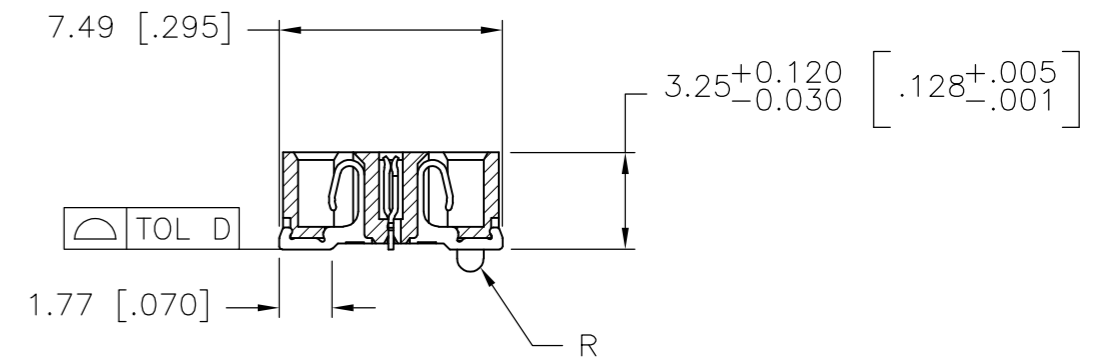
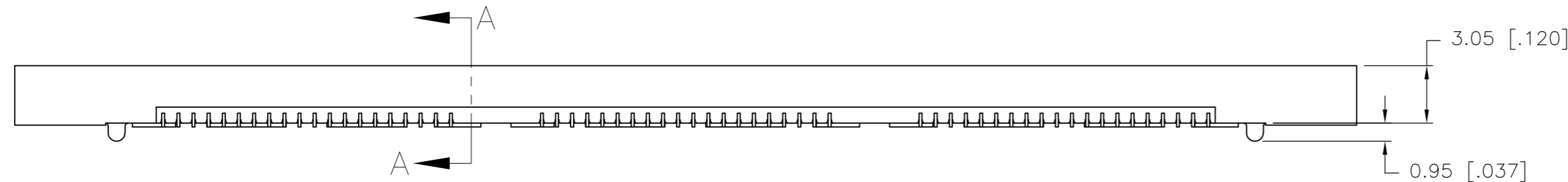


THIS DRAWING IS UNPUBLISHED. RELEASED FOR PUBLICATION  
 © COPYRIGHT BY TYCO ELECTRONICS CORPORATION. ALL RIGHTS RESERVED.

LOC		DIST		REVISIONS			
P	LTR	DESCRIPTION	DATE	DWN	APVD		
AD	00	L	REVISED PER ECO-07-024671	05NOV07	DH	DD	



- 1 HOUSING: LCP, BLACK.  
CONTACT & GROUND PLANE: PHOS BRONZE.
- 2 CONTACT PLATING: SELECT GOLD FLASH.
- 3 FOR STANDARD APPLICATIONS, ORIENTATION HOLE TO BE  $\phi 1.02$  [ $\phi 0.040$ ].

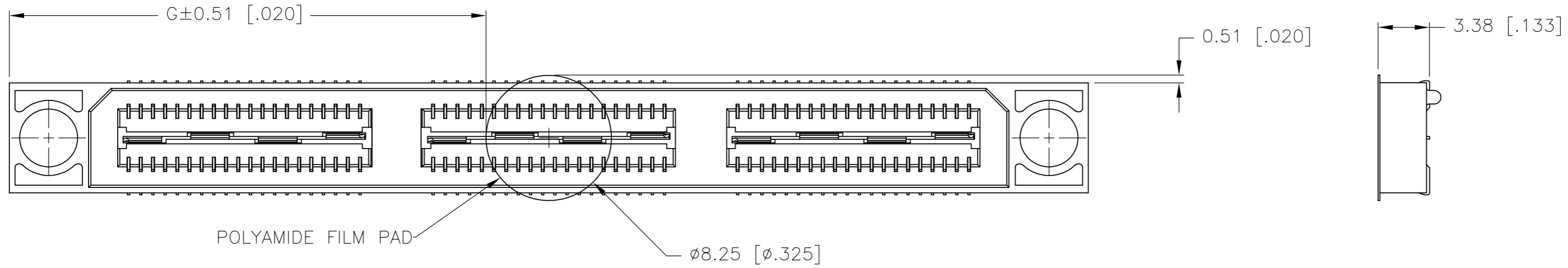


THIS DRAWING IS A CONTROLLED DOCUMENT.		DWN	26FEB03	Tyco Electronics Corporation Harrisburg, PA 17105-3608	
DIMENSIONS:		CHK	26FEB03		
mm [INCHES]		APVD	26FEB03		
TOLERANCES UNLESS OTHERWISE SPECIFIED:		PRODUCT SPEC			
0 PLC	± -	APPLICATION SPEC		NAME	RECEPTACLE ASSEMBLY, VERTICAL
1 PLC	± 0.3[.01]			SIZE	A2
2 PLC	± 0.13[.005]			CAGE CODE	00779
3 PLC	± 0.051[.0020]			DRAWING NO	C=1658071
4 PLC	± -			RESTRICTED TO	-
ANGLES	± 2°			SCALE	1:1
FINISH				SHEET	1 OF 2
MATERIAL				REV	L
				CUSTOMER DRAWING	

1658071

THIS DRAWING IS UNPUBLISHED. RELEASED FOR PUBLICATION  
 © COPYRIGHT BY TYCO ELECTRONICS CORPORATION. ALL RIGHTS RESERVED.

LOC	DIST	REVISIONS			
P	LTR	DESCRIPTION	DATE	DWN	APVD
AD	00	SEE SHEET 1	-	-	-



20.00(.7874)	21.32(.839)	45.72(1.800)	1	0.102(.0040)	40.13(1.580)	35.20(1.386)	50.90(2.004)	YES	POCKET TAPE	YES	56	7-1658071-2
0(.000)	11.32(.446)	25.72(1.013)	0	0.102(.0040)	20.13(.793)	15.20(.598)	30.90(1.217)	YES	POCKET TAPE	YES	28	7-1658071-1
20.00(.7874)	21.32(.839)	45.72(1.800)	1	0.102(.0040)	40.13(1.580)	35.20(1.386)	50.90(2.004)	YES	POCKET TAPE	NO	80	6-1658071-2
0(.000)	11.32(.446)	25.72(1.013)	0	0.102(.0040)	20.13(.793)	15.20(.598)	30.90(1.217)	YES	POCKET TAPE	NO	40	6-1658071-1
20.00(.7874)	-	45.72(1.800)	1	0.102(.0040)	40.13(1.580)	35.20(1.386)	50.90(2.004)	NO	POCKET TAPE	YES	56	5-1658071-2
0(.000)	-	25.72(1.013)	0	0.102(.0040)	20.13(.793)	15.20(.598)	30.90(1.217)	NO	POCKET TAPE	YES	28	5-1658071-1
20.00(.7874)	-	45.72(1.800)	1	0.102(.0040)	40.13(1.580)	35.20(1.386)	50.90(2.004)	NO	POCKET TAPE	NO	80	4-1658071-2
0(.000)	-	25.72(1.013)	0	0.102(.0040)	20.13(.793)	15.20(.598)	30.90(1.217)	NO	POCKET TAPE	NO	40	4-1658071-1
80.00(3.150)	51.32(2.020)	105.72(4.162)	4	0.152(.0060)	100.14(3.943)	95.20(3.748)	110.91(4.367)	YES	TRAY	YES	140	3-1658071-5
60.00(2.362)	41.32(1.627)	85.72(3.375)	3	0.152(.0060)	80.14(3.155)	75.20(2.961)	90.91(3.579)	YES	TRAY	YES	112	3-1658071-4
40.00(1.575)	31.32(1.233)	65.72(2.587)	2	0.152(.0060)	60.13(2.368)	55.20(2.173)	70.90(2.791)	YES	TRAY	YES	84	3-1658071-3
20.00(.7874)	21.32(.839)	45.72(1.800)	1	0.102(.0040)	40.13(1.580)	35.20(1.386)	50.90(2.004)	YES	TRAY	YES	56	3-1658071-2
0(.000)	11.32(.446)	25.72(1.013)	0	0.102(.0040)	20.13(.793)	15.20(.598)	30.90(1.217)	YES	TRAY	YES	28	3-1658071-1
80.00(3.150)	51.32(2.020)	105.72(4.162)	4	0.152(.0060)	100.14(3.943)	95.20(3.748)	110.91(4.367)	YES	TRAY	NO	200	2-1658071-5
60.00(2.362)	41.32(1.627)	85.72(3.375)	3	0.152(.0060)	80.14(3.155)	75.20(2.961)	90.91(3.579)	YES	TRAY	NO	160	2-1658071-4
40.00(1.575)	31.32(1.233)	65.72(2.587)	2	0.152(.0060)	60.13(2.368)	55.20(2.173)	70.90(2.791)	YES	TRAY	NO	120	2-1658071-3
20.00(.7874)	21.32(.839)	45.72(1.800)	1	0.102(.0040)	40.13(1.580)	35.20(1.386)	50.90(2.004)	YES	TRAY	NO	80	2-1658071-2
0(.000)	11.32(.446)	25.72(1.013)	0	0.102(.0040)	20.13(.793)	15.20(.598)	30.90(1.217)	YES	TRAY	NO	40	2-1658071-1
80.00(3.150)	-	105.72(4.162)	4	0.152(.0060)	100.14(3.943)	95.20(3.748)	110.91(4.367)	NO	TRAY	YES	140	1-1658071-5
60.00(2.362)	-	85.72(3.375)	3	0.152(.0060)	80.14(3.155)	75.20(2.961)	90.91(3.579)	NO	TRAY	YES	112	1-1658071-4
40.00(1.575)	-	65.72(2.587)	2	0.152(.0060)	60.13(2.368)	55.20(2.173)	70.90(2.791)	NO	TRAY	YES	84	1-1658071-3
20.00(.7874)	-	45.72(1.800)	1	0.102(.0040)	40.13(1.580)	35.20(1.386)	50.90(2.004)	NO	TRAY	YES	56	1-1658071-2
0(.000)	-	25.72(1.013)	0	0.102(.0040)	20.13(.793)	15.20(.598)	30.90(1.217)	NO	TRAY	YES	28	1-1658071-1
80.00(3.150)	-	105.72(4.162)	4	0.152(.0060)	100.14(3.943)	95.20(3.748)	110.91(4.367)	NO	TRAY	NO	200	1658071-5
60.00(2.362)	-	85.72(3.375)	3	0.152(.0060)	80.14(3.155)	75.20(2.961)	90.91(3.579)	NO	TRAY	NO	160	1658071-4
40.00(1.575)	-	65.72(2.587)	2	0.152(.0060)	60.13(2.368)	55.20(2.173)	70.90(2.791)	NO	TRAY	NO	120	1658071-3
20.00(.7874)	-	45.72(1.800)	1	0.102(.0040)	40.13(1.580)	35.20(1.386)	50.90(2.004)	NO	TRAY	NO	80	1658071-2
0(.000)	-	25.72(1.013)	0	0.102(.0040)	20.13(.793)	15.20(.598)	30.90(1.217)	NO	TRAY	NO	40	1658071-1
H	G	F	E	D	C	B	A	POLYIMIDE FILM PAD ▲	PACKAGING TYPE	DIFF. PAIR	NO OF POS	PART NUMBER

THIS DRAWING IS A CONTROLLED DOCUMENT.

DWN B.CARBO 26FEB03  
 CHK D.DIXON 26FEB03  
 APVD D.DIXON 26FEB03

TOLERANCES UNLESS OTHERWISE SPECIFIED:  
 0 PLC ± -  
 1 PLC ± 0.3[.01]  
 2 PLC ± 0.13[.005]  
 3 PLC ± 0.051[.0020]  
 4 PLC ± -  
 ANGLES ± 2°

MATERIAL FINISH

WEIGHT -

CUSTOMER DRAWING

Tyco Electronics Corporation  
 Harrisburg, PA 17105-3608

RECEPTACLE ASSEMBLY, VERTICAL,  
 0.80MM CL,  
 MICTOR SB

SIZE A2 CAGE CODE 00779 DRAWING NO. C=1658071 RESTRICTED TO -

SCALE 1:1 SHEET 2 OF 2 REV L