



Chipsmall Limited consists of a professional team with an average of over 10 year of expertise in the distribution of electronic components. Based in Hongkong, we have already established firm and mutual-benefit business relationships with customers from,Europe,America and south Asia,supplying obsolete and hard-to-find components to meet their specific needs.

With the principle of "Quality Parts,Customers Priority,Honest Operation,and Considerate Service",our business mainly focus on the distribution of electronic components. Line cards we deal with include Microchip,ALPS,ROHM,Xilinx,Pulse,ON,Everlight and Freescale. Main products comprise IC,Modules,Potentiometer,IC Socket,Relay,Connector.Our parts cover such applications as commercial,industrial, and automotives areas.

We are looking forward to setting up business relationship with you and hope to provide you with the best service and solution. Let us make a better world for our industry!



## Contact us

Tel: +86-755-8981 8866 Fax: +86-755-8427 6832

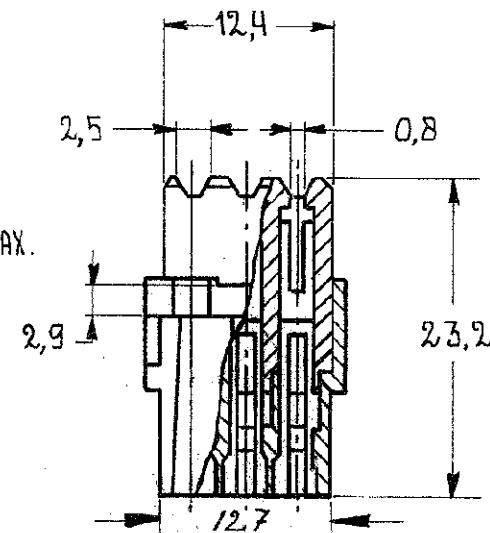
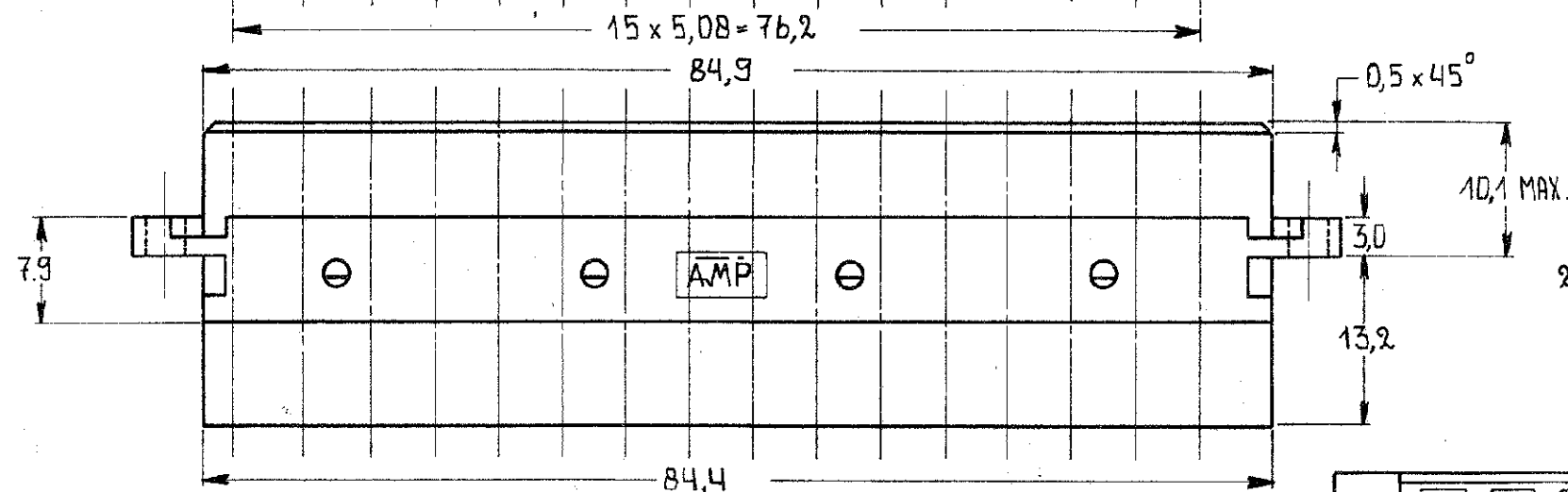
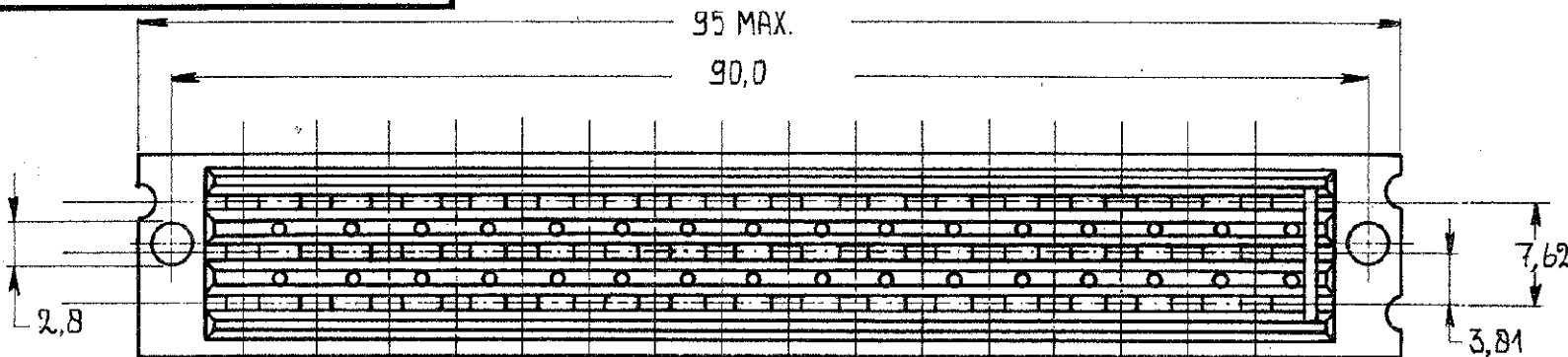
Email & Skype: info@chipsmall.com Web: www.chipsmall.com

Address: A1208, Overseas Decoration Building, #122 Zhenhua RD., Futian, Shenzhen, China



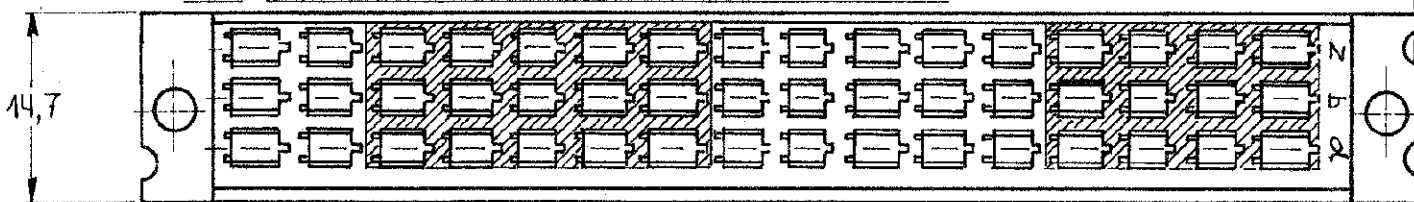
DRAWING MADE IN AMERICAN PROJECTION

REV	DESCRIPTION	DATE	DWN	APR
G1	ECO-11-005027	6APR11	RK	HMR

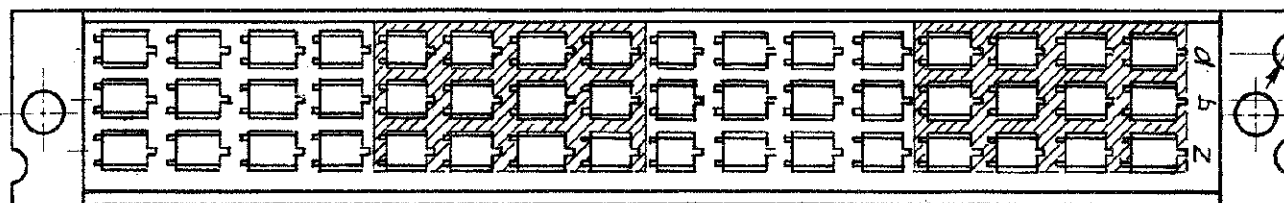


△ OBSOLETE

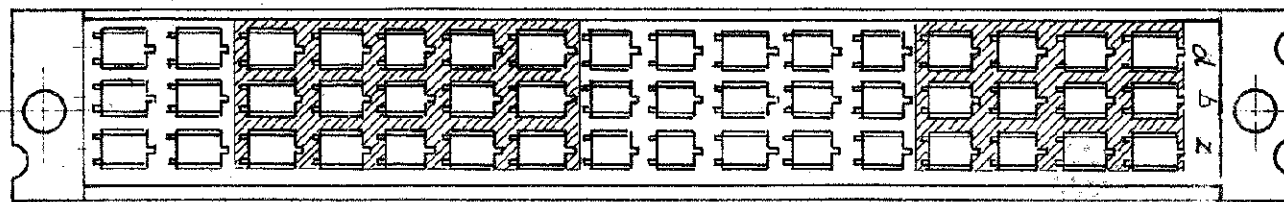
NOTE: BLOCK MARKING AND CAVITY NUMBERS PRINTED IN GREEN COLOR.



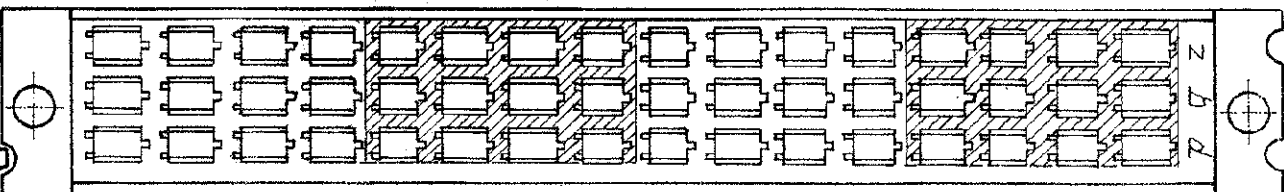
STYLE 3 FURTHER EQUAL TO 1.



STYLE 2.



STYLE 1



STYLE 4

166569-9	20% GLASS FILLED NORYL	GREY RAL 7032	4
166569-8	20% GLASS FILLED NORYL	GREY RAL 7032	3
166569-7	20% GLASS FILLED NORYL	GREY RAL 7032	1
166569-1	20% GLASS FILLED NORYL	GREY RAL 7032	2
ORDER NO.	MATERIAL	COLOR	STYLE

CUSTOMER COPY FOR REFERENCE ONLY

NUMBER 166569	DR L.VAN DER HEYDEN	DATE 29.09.80	 TE Connectivity	
	DATE 9.10.80	DATE 8.10.80		
	WIRE-RANGE	INSUL.-RANGE	FIRST USED	SCALE 2:1
	SIZE B	NO C 166569	SHEET 1 OF 2	
APP <i>[Signature]</i>	DATE 8.10.80	NAME HOUSING, 48 POS. MID IEC CONNECTOR FOR CRIMP/SNAP-IN TAB RECEPTACLES (FEM.)		
		REV G1		

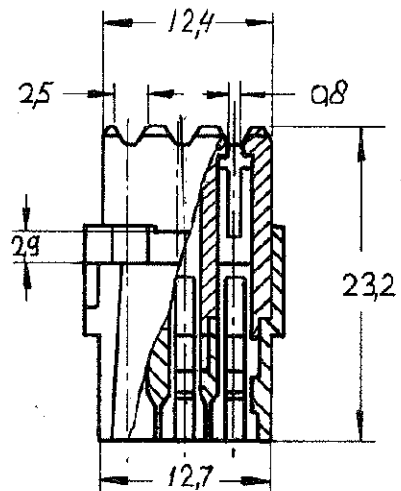
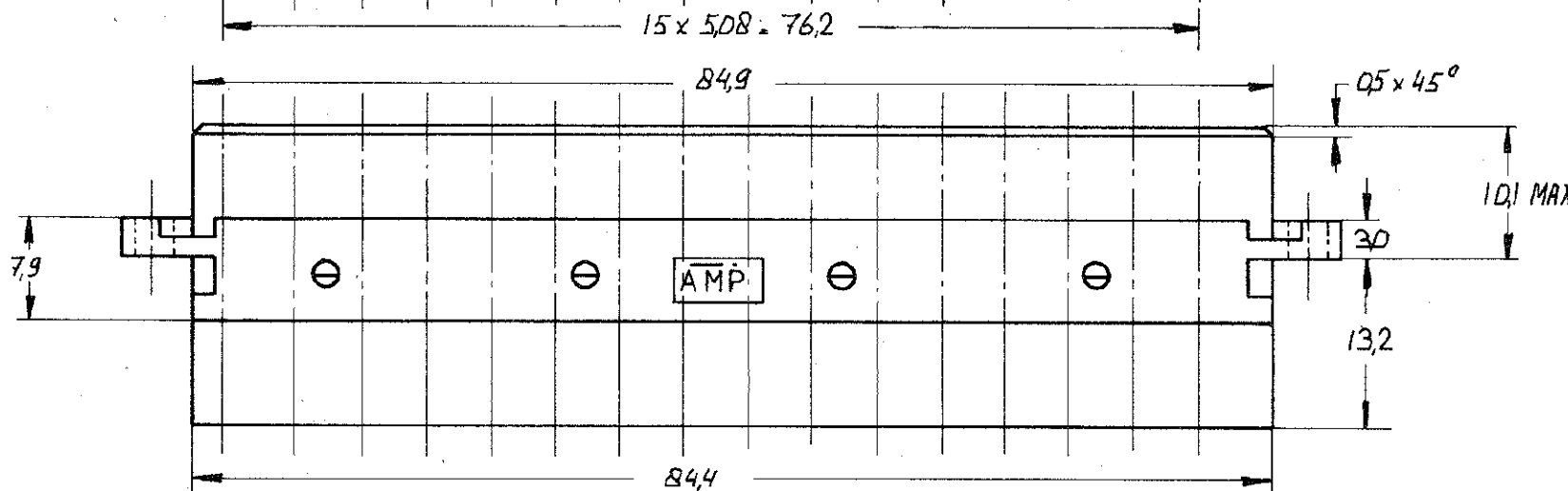
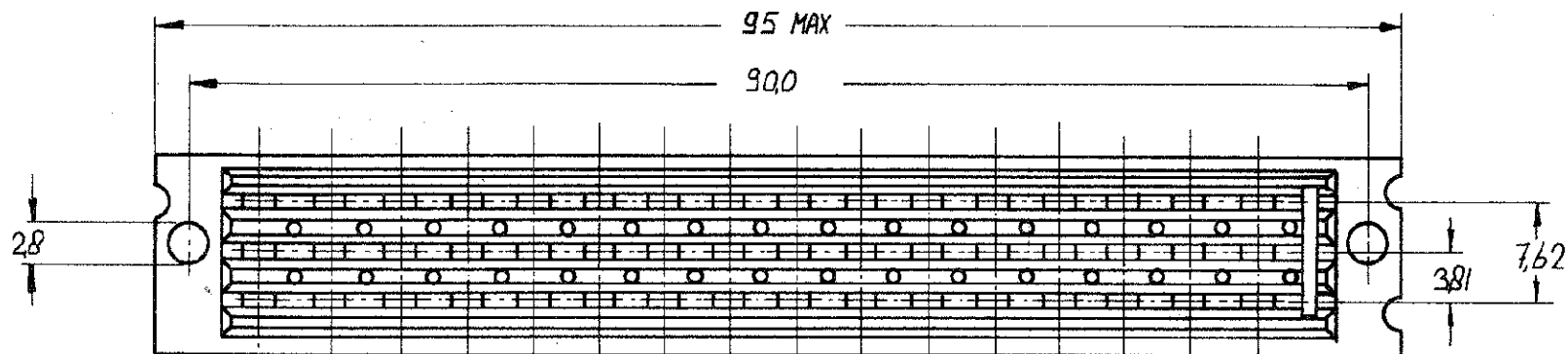
DIMENSIONS IN M.M. DO NOT SCALE PRINT

**DO NOT SCALE**  
DIMENSIONS IN mm

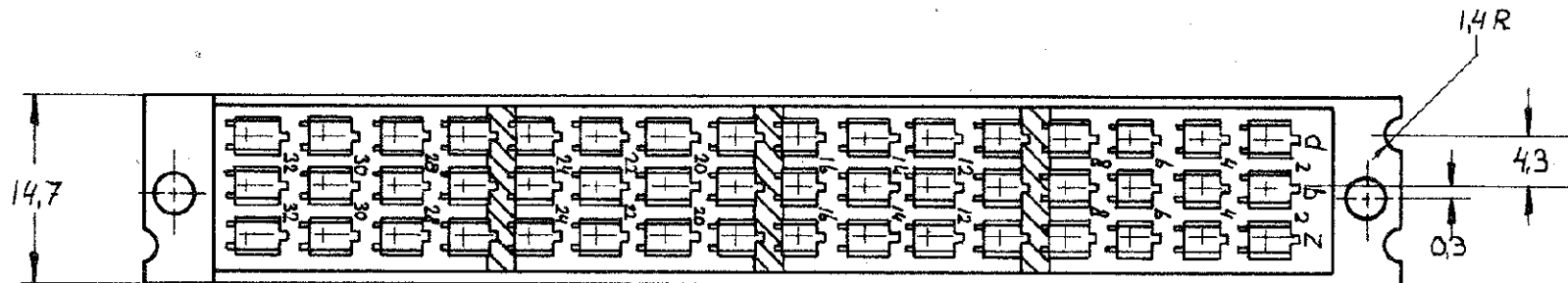
**METRIC**

THIRD ANGLE PROJECTION 

REV	DESCRIPTION	DATE	DWN	APR
-	SEE SHEET 1	-	-	-



**NOTE:**  
1: BLOCK MARKING AND CAVITY NUMBERS PRINTED IN GREEN COLOR.



GREY RAL 7032	GLASSFILLED NORYL 20%	1.166569.0
COLOR	MATERIAL	PART NUMBER

**CUSTOMER DRAWING**  
FOR REFERENCE ONLY  
WILL NOT BE UPDATED

**STE** TE Connectivity

THIS DRAWING IS UNPUBLISHED    RELEASED FOR PUBLICATION

DR. M.VAES 19.1.83	WIRE RANGE	NAME 48 POS FEMALE HOUSING TYPE F FOR CRIMP/SNAP IN CONTACT	REV. DATE D M Y	
CHK <i>[Signature]</i> 20-1-83	INSUL RANGE		6	04
APP.	SIZE A3	SHEET 2 OF 2	DRAWING NO <b>C</b> 166569	

REV. DATE D M Y		REV. LTR G1
6	04	

8      7      6      5      4      3      2      1