



Chipsmall Limited consists of a professional team with an average of over 10 year of expertise in the distribution of electronic components. Based in Hongkong, we have already established firm and mutual-benefit business relationships with customers from,Europe,America and south Asia,supplying obsolete and hard-to-find components to meet their specific needs.

With the principle of “Quality Parts,Customers Priority,Honest Operation,and Considerate Service”,our business mainly focus on the distribution of electronic components. Line cards we deal with include Microchip,ALPS,ROHM,Xilinx,Pulse,ON,Everlight and Freescale. Main products comprise IC,Modules,Potentiometer,IC Socket,Relay,Connector.Our parts cover such applications as commercial,industrial, and automotives areas.

We are looking forward to setting up business relationship with you and hope to provide you with the best service and solution. Let us make a better world for our industry!



Contact us

Tel: +86-755-8981 8866 Fax: +86-755-8427 6832

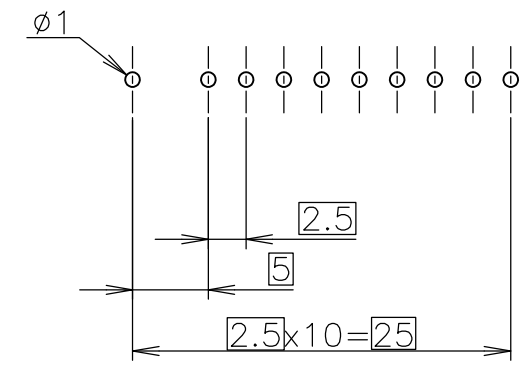
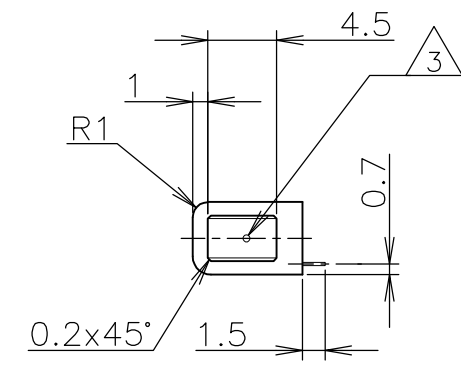
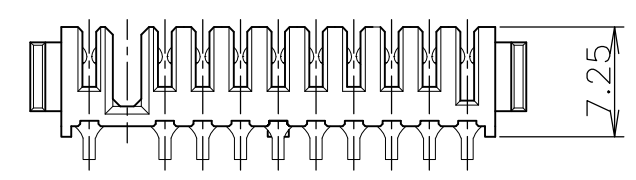
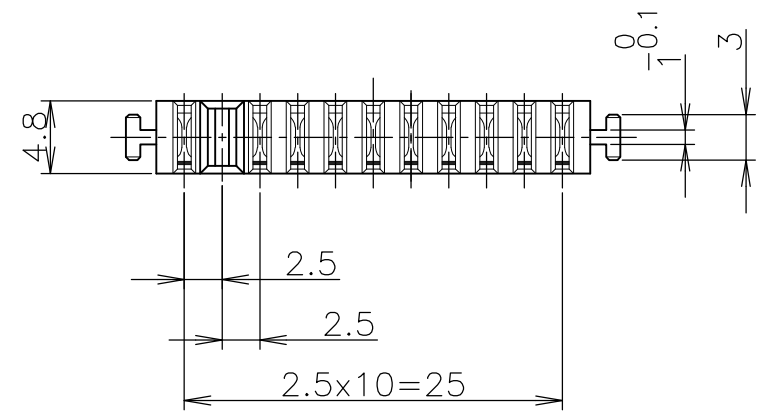
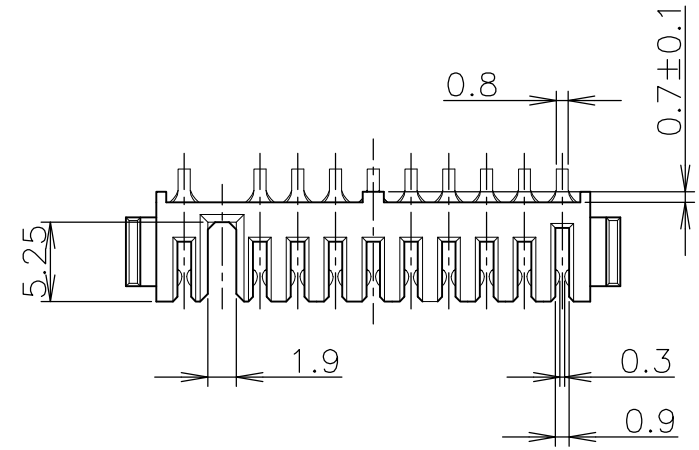
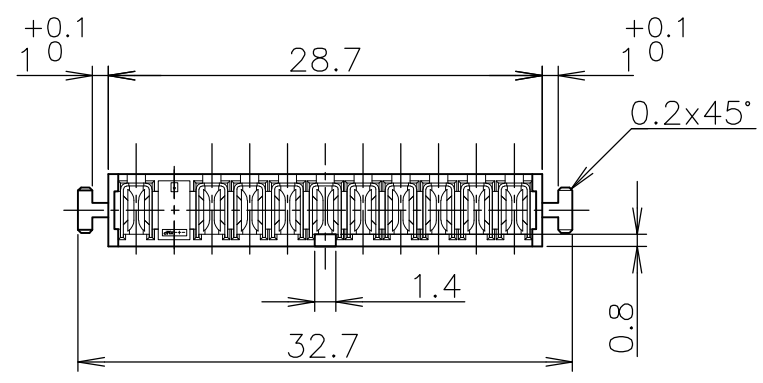
Email & Skype: info@chipsmall.com Web: www.chipsmall.com

Address: A1208, Overseas Decoration Building, #122 Zhenhua RD., Futian, Shenzhen, China



THIS DRAWING IS UNPUBLISHED. RELEASED FOR PUBLICATION OCT, 2002.
 © COPYRIGHT 2002 BY TYCO ELECTRONICS CORPORATION. ALL RIGHTS RESERVED.

LOC	DIST	REVISIONS					
ES		P	LTR	DESCRIPTION	DATE	DWN	APVD
			C1	REVISED PER ECR-09-023142	22OCT09	K.L.	S.Y.



基板取付参考寸法
 REFERENCE P.C.BOARD LAYOUT
 P.C.BOARD THK 0.8±1.2
 (VIEW FROM CONNECTOR MOUNTING SIDE)

- △ 材料
 - ・ハウジング：6Tナイロン、UL94V-0、黒
 - ・コンタクト：銅合金
- △ 仕上げ
 - ・コンタクト：ニッケル下地めっき 2μm以上
 - 接触部 金めっき 0.3μm以上
 - 半田付け部 錫めっき 2~5μm
- △ 1-1674231-1のみ図示する位置に白マーキングあり
- △ MATERIAL
 - ・HOUSING: 6T NYLON, UL94V-0, BLACK
 - ・CONTACT: COPPER ALLOY
- △ FINISH
 - ・CONTACT: Ni ALL OVER UNDER PL. 2μm MIN.
 - GOLD PL. 0.3μm MIN. AT CONTACT AREA
 - TIN PL. 2~5μm AT LEAD AREA
- △ WHITE MARKING TO THIS POSITION,
1-1674231-1 ONLY

△	1-1674231-1
-	1674231-1
NOTE	PART NO.

WIRE RANGE 抱合電線断面積	INSULATION DIA 被覆外径
-----------------------	------------------------

THIS DRAWING IS A CONTROLLED DOCUMENT.		DWN T.KATANO	01OCT02	tyco Tyco Electronics Corporation Shanghai, P.R.China, 200233
DIMENSIONS: 単位： 耗 MM		CHK K.IKEGAMI	02OCT02	
TOLERANCES UNLESS OTHERWISE SPECIFIED: 一般公差		APVD K.KODAIRA	03OCT02	NAME 名称 2.5mm PITCH BATTERY CONNECTOR RECEPTACLE ASSEMBLY (10P)
0 PLC ± 0.3		PRODUCT SPEC 製品規格 108-5775		
1 PLC ± 0.3		APPLICATION SPEC 取付適用規格		SIZE
2 PLC ± 0.3				CAGE CODE
3 PLC ± 0.3				DRAWING NO 番号
4 PLC ± 0.3				RESTRICTED TO
ANGLES ± 3'				
MATERIAL 材料	FINISH 仕上	WEIGHT 1.1 g	A3	00779
△1	△2	G-1674231		
CUSTOMER DRAWING				SCALE 尺度 2:1
				SHEET 1 OF 1
				REV C1