



Chipsmall Limited consists of a professional team with an average of over 10 year of expertise in the distribution of electronic components. Based in Hongkong, we have already established firm and mutual-benefit business relationships with customers from,Europe,America and south Asia,supplying obsolete and hard-to-find components to meet their specific needs.

With the principle of “Quality Parts,Customers Priority,Honest Operation,and Considerate Service”,our business mainly focus on the distribution of electronic components. Line cards we deal with include Microchip,ALPS,ROHM,Xilinx,Pulse,ON,Everlight and Freescale. Main products comprise IC,Modules,Potentiometer,IC Socket,Relay,Connector.Our parts cover such applications as commercial,industrial, and automotives areas.

We are looking forward to setting up business relationship with you and hope to provide you with the best service and solution. Let us make a better world for our industry!



## Contact us

Tel: +86-755-8981 8866 Fax: +86-755-8427 6832

Email & Skype: info@chipsmall.com Web: www.chipsmall.com

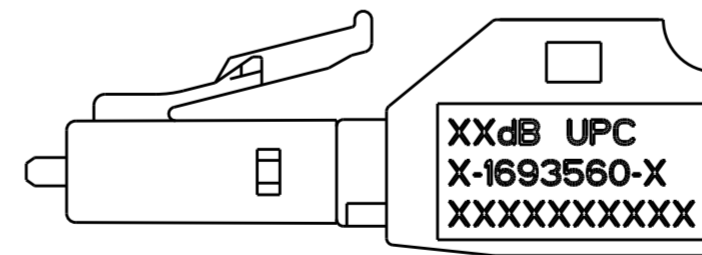
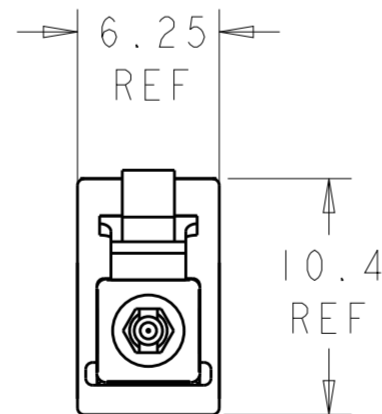
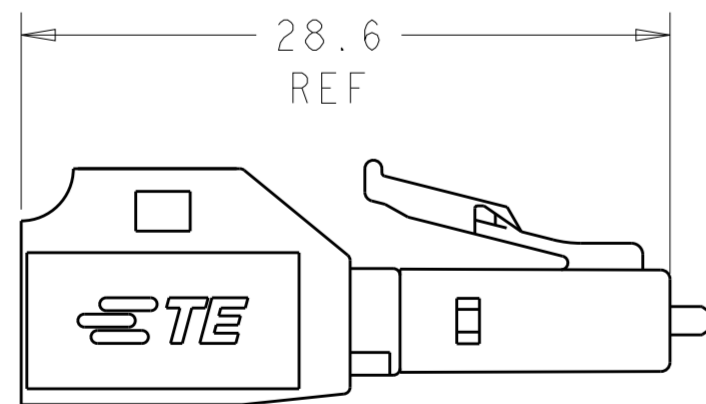
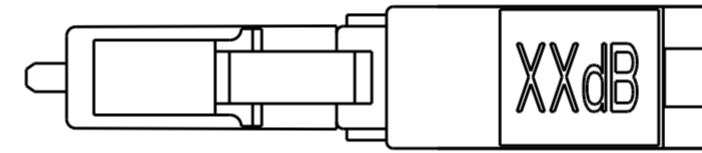
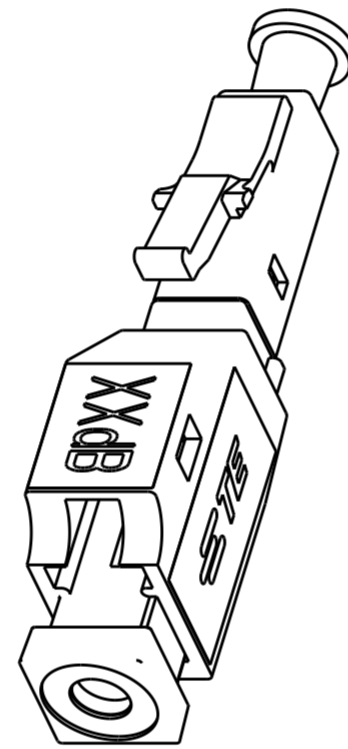
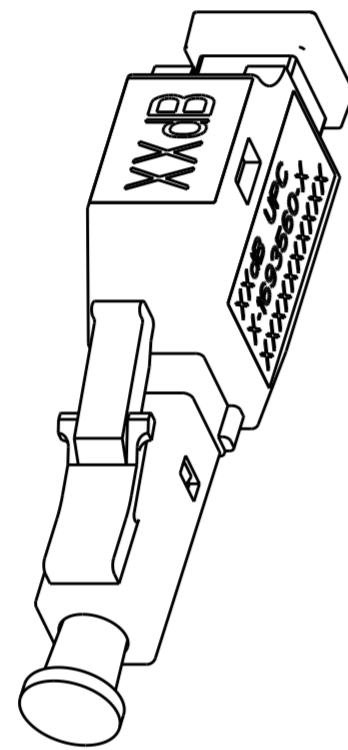
Address: A1208, Overseas Decoration Building, #122 Zhenhua RD., Futian, Shenzhen, China



THIS DRAWING IS UNPUBLISHED. RELEASED FOR PUBLICATION 20  
 © COPYRIGHT 20 ALL RIGHTS RESERVED.

LOC	DIST	REVISIONS					
		P	LTR	DESCRIPTION	DATE	DWN	APVD
HG	-		D	REV PER ECR-10-001039	20JAN2010	JZ	RZ
			E	REV PER ECR-11-015981	05SEP2011	LL	CT
			F	UPDATE OPERATING WAVELENGTH 1260-1625nm	21AUG2012	PL	RZ

PERFORMANCE REQUIREMENTS:  
 OPERATING WAVELENGTH: 1260-1625nm  
 REFLECTANCE: AVG. -55dB  
 OPERATING TEMPERATURE: -40°C TO +85°C  
 ATTENUATION TOLERANCE, AMBIENT:  
 FOR 0 dB ATTENUATORS: +0.5dB MAX  
 FOR ATTENUATORS < 5dB: ±0.5dB  
 FOR ATTENUATORS ≥ 5dB: ±10% OF NOMINAL ATTENUATION VALUE  
 MEASURED WITH REFERENCE QUALITY LAUNCH LEADS:  
 - REFLECTANCE: ≤ -60dB  
 - FIBER CORE ECCENTRICITY < 0.3um



NOTES:

⚠ OBSOLETE PARTS: OBSOLETE CIS STREAMLINING PER D.RENAUD/D.SINISI.

20	2-1693560-0
19	1-1693560-9
18	1-1693560-8
17	1-1693560-7
16	1-1693560-6
15	1-1693560-5
14	1-1693560-4
13	1-1693560-3
12	1-1693560-2
11	1-1693560-1
10	1-1693560-0
9	1693560-9
8	1693560-8
7	1693560-7
6	1693560-6
5	1693560-5
4	1693560-4
3	1693560-3
2	1693560-2
1	1693560-1
⚠ OBSOLETE	0 <del>1-1693560-0</del>
NOMINAL ATTENUATION VALUE (dB)	PART NUMBER

THIS DRAWING IS A CONTROLLED DOCUMENT.		DWN	01NOV2006	
		CHK	E. MCCORMICK 01NOV2006	
		APVD	E. HOPKINS 01NOV2006	
		APVD	S. BUCHTER 01NOV2006	
DIMENSIONS:		PRODUCT SPEC		
mm		108-2221		
		APPLICATION SPEC		
		114-1129		
MATERIAL		WEIGHT		
		-		
		CUSTOMER DRAWING		
		SIZE	CAGE CODE	DRAWING NO
		A2	00779	C-1693560
		RESTRICTED TO		
		SCALE 3:1		SHEET 1 OF 1 REV F