



Chipsmall Limited consists of a professional team with an average of over 10 year of expertise in the distribution of electronic components. Based in Hongkong, we have already established firm and mutual-benefit business relationships with customers from,Europe,America and south Asia,supplying obsolete and hard-to-find components to meet their specific needs.

With the principle of “Quality Parts,Customers Priority,Honest Operation,and Considerate Service”,our business mainly focus on the distribution of electronic components. Line cards we deal with include Microchip,ALPS,ROHM,Xilinx,Pulse,ON,Everlight and Freescale. Main products comprise IC,Modules,Potentiometer,IC Socket,Relay,Connector.Our parts cover such applications as commercial,industrial, and automotives areas.

We are looking forward to setting up business relationship with you and hope to provide you with the best service and solution. Let us make a better world for our industry!



Contact us

Tel: +86-755-8981 8866 Fax: +86-755-8427 6832

Email & Skype: info@chipsmall.com Web: www.chipsmall.com

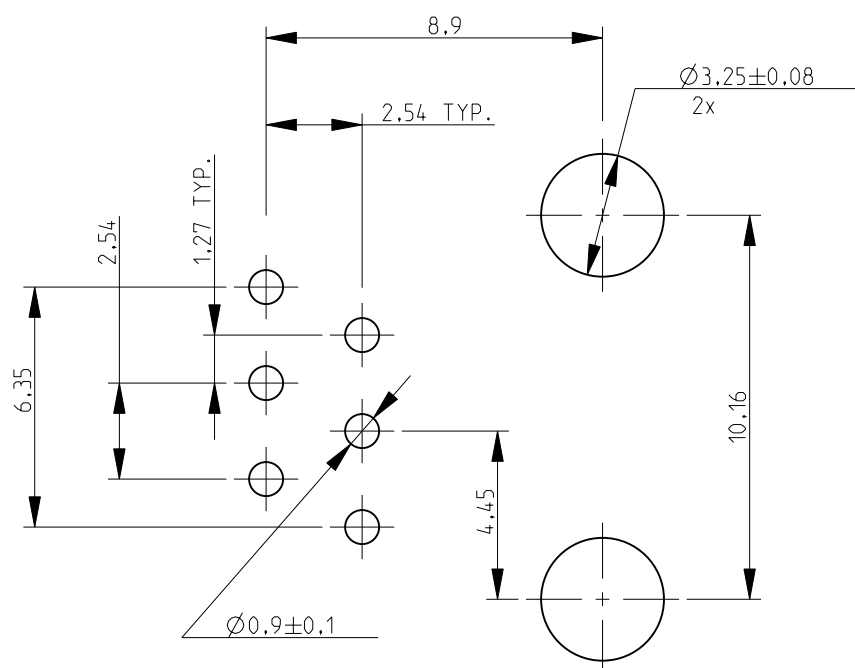
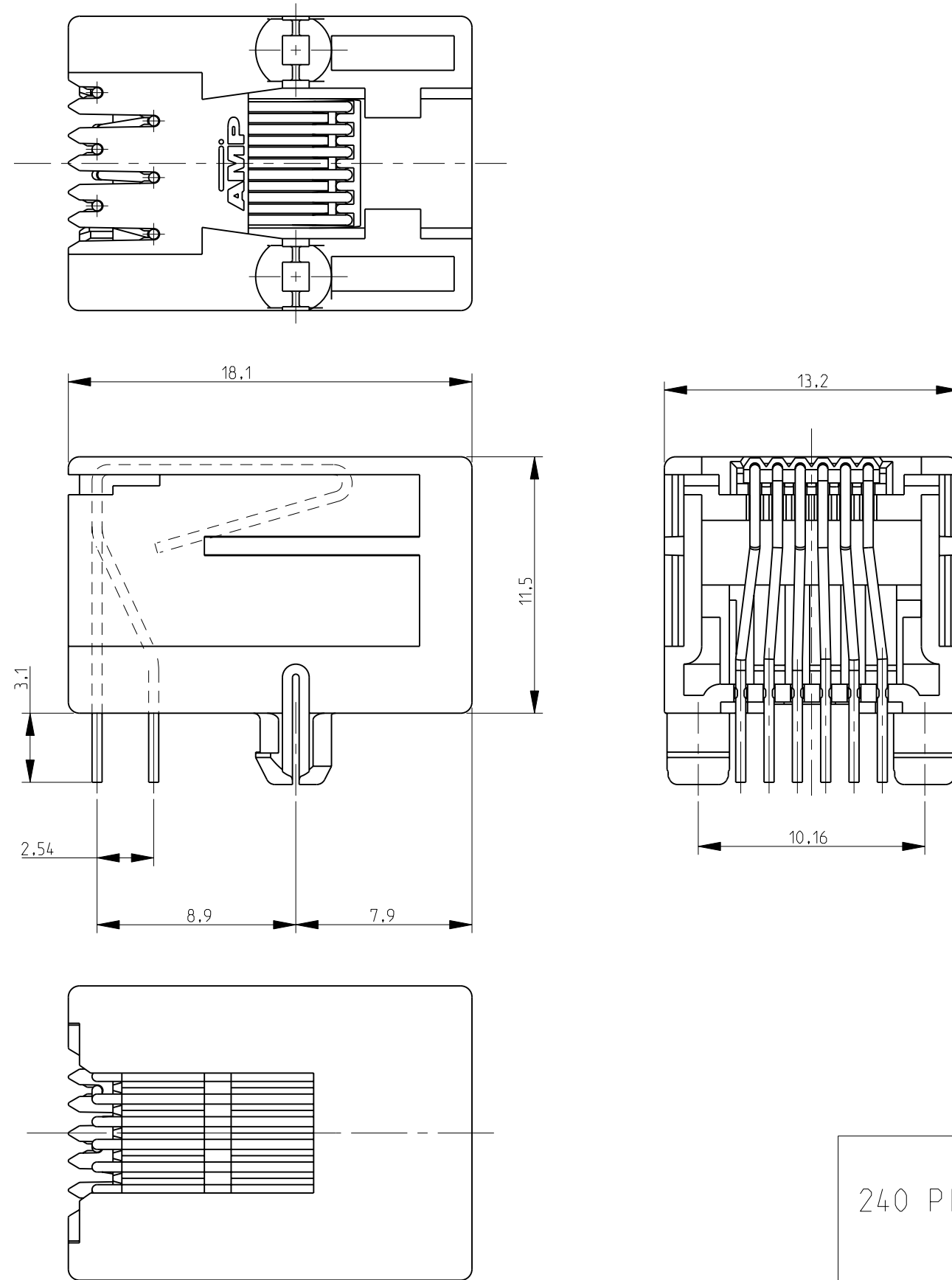
Address: A1208, Overseas Decoration Building, #122 Zhenhua RD., Futian, Shenzhen, China



THIS DRAWING IS UNPUBLISHED. RELEASED FOR PUBLICATION 2000
 © COPYRIGHT 2000 ALL RIGHTS RESERVED.

LOC	DIST	REVISIONS					
		P	LTR	DESCRIPTION	DATE	DWN	APVD
IR	-	C		ECR-09-021454	29-09-09	PS	PCH
		C1		TE LOGO UPDATE	28APR11	RK	HMR
		C2		DURABILITY CYCLE UPDATED AFTER TESTING	26AUG11	PS	RRP
		-		-	-	-	-

- 1 SEE SHEET 2 FOR MODULAR JACK 6 POS./4 CONTACTS
- 2 FOR APPLICATION INFORMATION SEE SPEC. 114-19019.
- 3 TOLERANCES UNLESS OTHERWISE SPECIFIED: ± 0.15mm.
- 4 DURABILITY IS 200 CYCLES MAX ACCORDING TO TEST REPORT 502-19807 THIS WILL TAKE PRECEDENCE OVER THE PRODUCT SPECIFICATION.



PRINTED CIRCUIT BOARD LAYOUT (6 POS./6 CONTACTS)

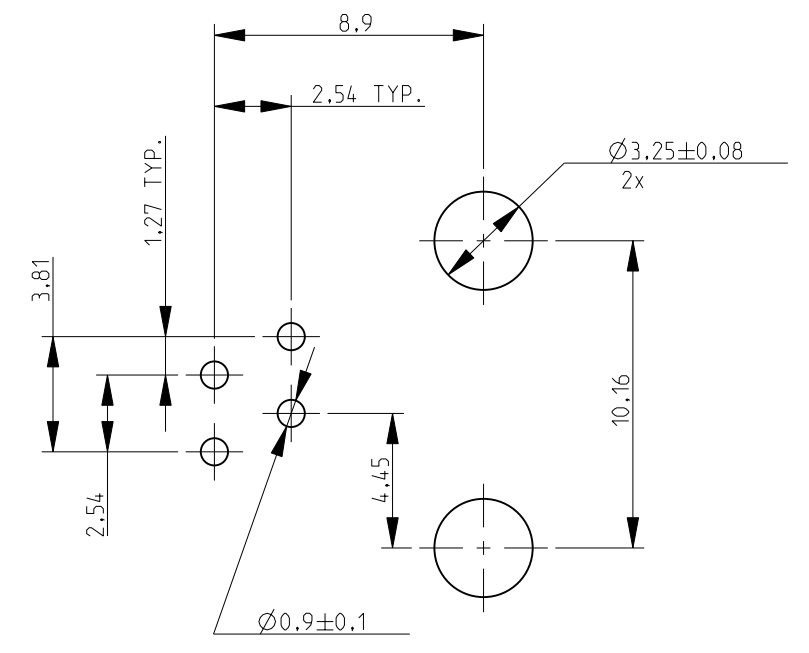
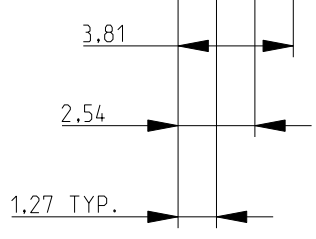
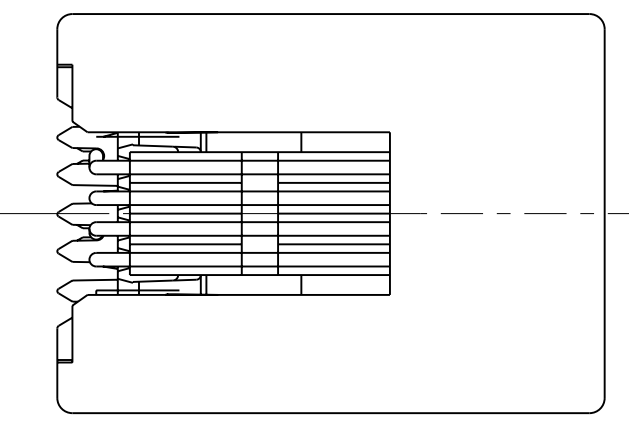
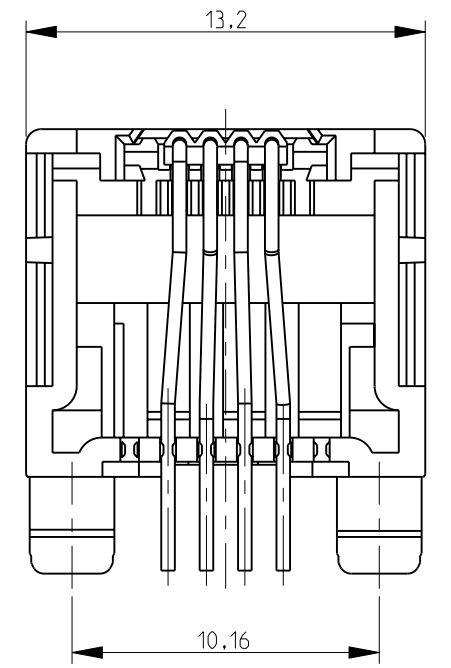
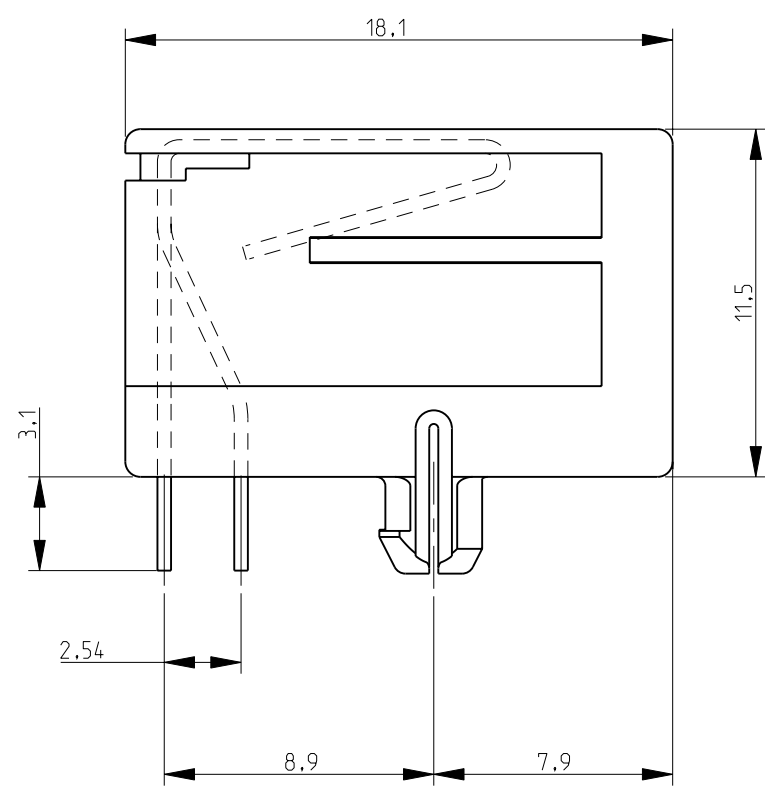
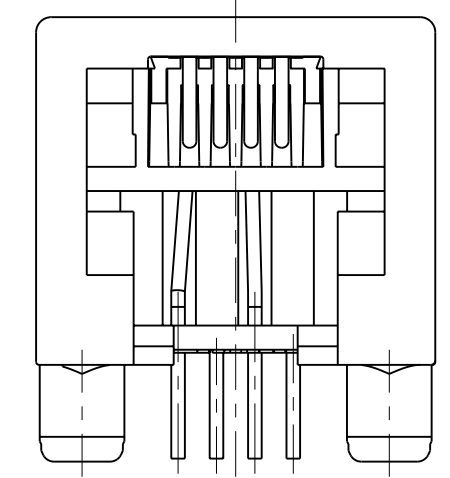
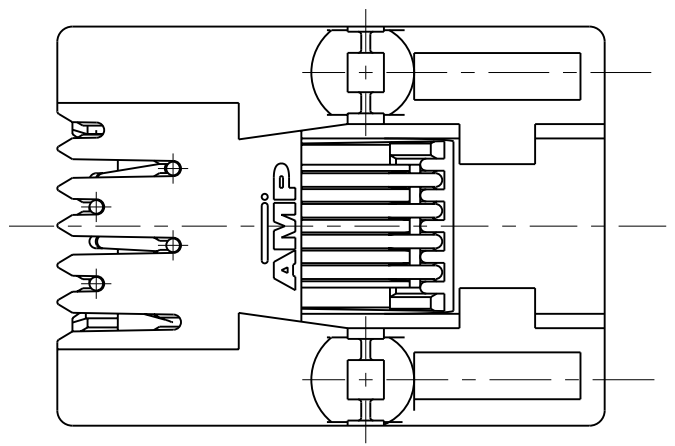
(VIEW SHOWN IS CIRCUIT (NONCOMPONENT) SIDE OF BOARD)
 PRINTED CIRCUIT BOARD THICKNESS: 1.6 mm NOMINAL.
 TOLERANCES UNLESS OTHERWISE SPECIFIED: ± 0.05

240 PIECES IN A TRAY	6 POS./6 CONTACTS.	IN CONTACT AREA: 0.15 µm MIN. SEL. GOLD OVER 1.2 µm MIN. NICKEL.	HOUSING COLOR BLACK PBT, UL 94 V-0	1-1705950-1
TAPE MOUNTED 800 PCS/REEL		SOLDER TINES: 2.5 µm MIN. TIN OVER 1.2 µm MIN. NICKEL.	CONTACT INSERT: PBT, UL 94 V-0	1705950-1
PACKAGING	REMARKS	FINISH	MATERIAL	P/N

THIS DRAWING IS A CONTROLLED DOCUMENT.		DWN J.V.D.HEIJDEN 14FEB05	TE Connectivity	
		CHK P.WILLEMS 14FEB05		
		APVD J.BROEKSTEEG 14FEB05	NAME MODULAR JACK, SIDE ENTRY, 6/6 FOR PRINTED CIRCUIT BOARD	
DIMENSIONS: mm		PRODUCT SPEC 108-19064	SIZE A2	CAGE CODE C=1705950
TOLERANCES UNLESS OTHERWISE SPECIFIED:		APPLICATION SPEC 114-19019	DRAWING NO	RESTRICTED TO
0 PLC ±		WEIGHT		
1 PLC ±0.1				
2 PLC ±0.01				
3 PLC ±0.001				
4 PLC ±0.0001				
ANGLES ±				
FINISH				
MATERIAL		CUSTOMER DRAWING		
		SCALE 4:1	SHEET 1 OF 2	REV. C2

THIS DRAWING IS UNPUBLISHED. RELEASED FOR PUBLICATION 2000
 © COPYRIGHT 2000 ALL RIGHTS RESERVED.

LOC	DIST	REVISIONS					
		P	LTR	DESCRIPTION	DATE	DWN	APVD
IR	-	-	-	SEE SHEET 1	-	-	-



PRINTED CIRCUIT BOARD LAYOUT (6 POS./4 CONTACT)

[VIEW SHOWN IS CIRCUIT (NONCOMPONENT) SIDE OF BOARD]
 PRINTED CIRCUIT BOARD THICKNESS: 1.6 mm NOMINAL.
 TOLERANCES UNLESS OTHERWISE SPECIFIED: ± 0.05.

- SEE SHEET 1 FOR MODULAR JACK 6 POS./6 CONTACTS.
- FOR APPLICATION INFORMATION SEE SPEC. 114-19019.
- TOLERANCES UNLESS OTHERWISE SPECIFIED: ±0.15.
- OBSELETE
- DURABILITY IS 200 CYCLES MAX ACCORDING TO TEST REPORT 502-19807 THIS WILL TAKE PRECEDENCE OVER THE PRODUCT SPECIFICATION.

PACKAGING	REMARKS	FINISH	MATERIAL	P/N
TAPE MOUNTED 800 PCS/REEL	6POS/ 4 CONTACTS	IN CONTACT AREA: 0,15 µm MIN. SEL. GOLD OVER 1,2 µm MIN. NICKEL SOLDER TINES: 2,5 µm MIN. TIN OVER 1,2 µm MIN. NICKEL	HOUSING COLOR YELLOW: PBT, UL 94 V-0 CONTACT INSERT: PBT, UL 94 V-0 CONTACTS: Ph-BRONZE	1-1705950-3
240 PIECES IN A TRAY			HOUSING COLOR BLACK: PBT, UL 94 V-0 CONTACT INSERT: PBT, UL 94 V-0 CONTACTS: Ph-BRONZE	1-1705950-2
TAPE MOUNTED 800 PCS/REEL			HOUSING COLOR GREY: PBT, UL 94 V-0 CONTACT INSERT: PBT, UL 94 V-0 CONTACTS: Ph-BRONZE	1705950-2
TAPE MOUNTED 800 PCS/REEL			HOUSING COLOR GREEN: PBT, UL 94 V-0 CONTACT INSERT: PBT, UL 94 V-0 CONTACTS: Ph-BRONZE	1705950-5
TAPE MOUNTED 800 PCS/REEL			HOUSING COLOR GREEN: PBT, UL 94 V-0 CONTACT INSERT: PBT, UL 94 V-0 CONTACTS: Ph-BRONZE	1705950-4

THIS DRAWING IS A CONTROLLED DOCUMENT.		DWN J.V.D.HEIJDEN 14FEB05	TE Connectivity	
		CHK P.WILLEMS 14FEB05		
		APVD J.BROEKSTEEG 14FEB05	NAME MODULAR JACK, SIDE ENTRY, 6/6 FOR PRINTED CIRCUIT BOARD	
DIMENSIONS: mm		PRODUCT SPEC 108-19064	SIZE A2	CAGE CODE C=1705950
TOLERANCES UNLESS OTHERWISE SPECIFIED:		APPLICATION SPEC 114-19019	RESTRICTED TO	
0 PLC ±		WEIGHT	-	
1 PLC ±0.1		CUSTOMER DRAWING		
2 PLC ±0.01		SCALE 4:1		
3 PLC ±0.001		SHEET 2 OF 2		
4 PLC ±0.0001		REV C2		
ANGLES ±				
FINISH				