



Chipsmall Limited consists of a professional team with an average of over 10 year of expertise in the distribution of electronic components. Based in Hongkong, we have already established firm and mutual-benefit business relationships with customers from,Europe,America and south Asia,supplying obsolete and hard-to-find components to meet their specific needs.

With the principle of "Quality Parts,Customers Priority,Honest Operation,and Considerate Service",our business mainly focus on the distribution of electronic components. Line cards we deal with include Microchip,ALPS,ROHM,Xilinx,Pulse,ON,Everlight and Freescale. Main products comprise IC,Modules,Potentiometer,IC Socket,Relay,Connector.Our parts cover such applications as commercial,industrial, and automotives areas.

We are looking forward to setting up business relationship with you and hope to provide you with the best service and solution. Let us make a better world for our industry!



## Contact us

Tel: +86-755-8981 8866 Fax: +86-755-8427 6832

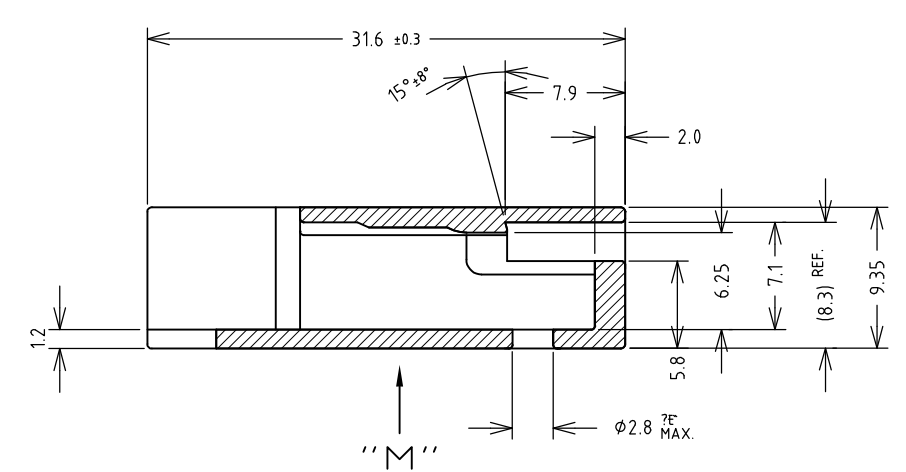
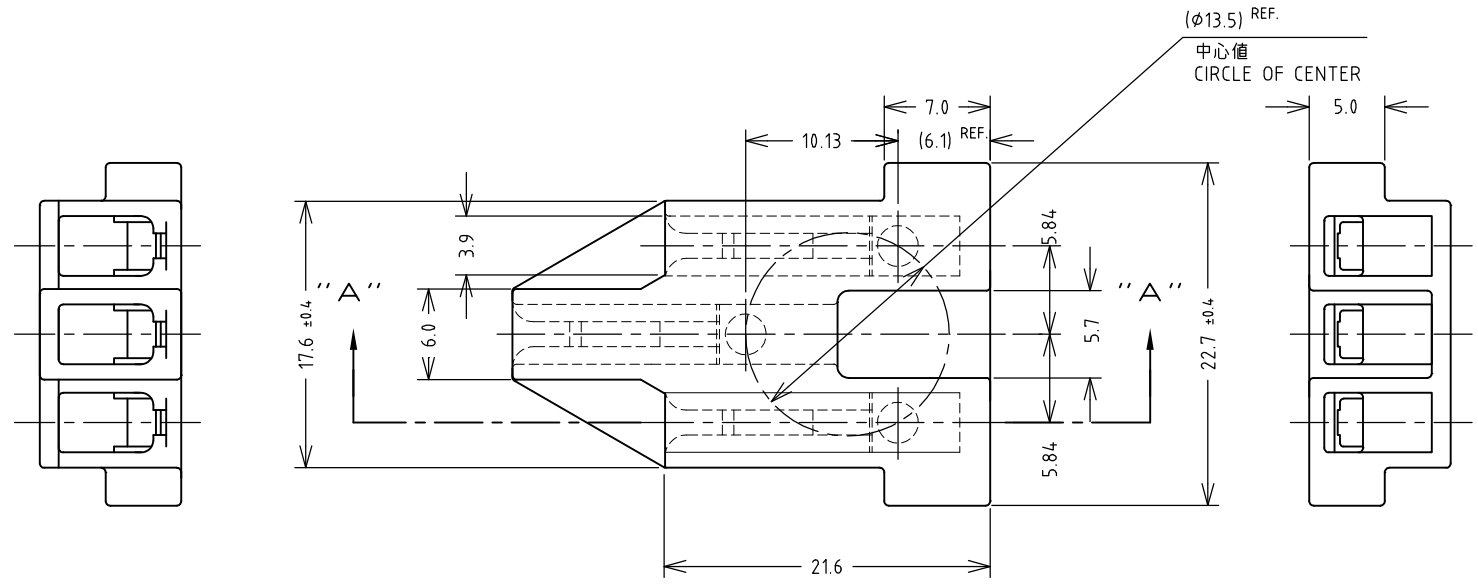
Email & Skype: info@chipsmall.com Web: www.chipsmall.com

Address: A1208, Overseas Decoration Building, #122 Zhenhua RD., Futian, Shenzhen, China

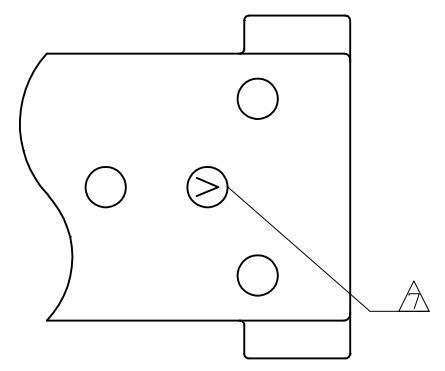


THIS DRAWING IS UNPUBLISHED. RELEASED FOR PUBLICATION MAY, 21 .  
 © COPYRIGHT 02 By - ALL RIGHTS RESERVED.

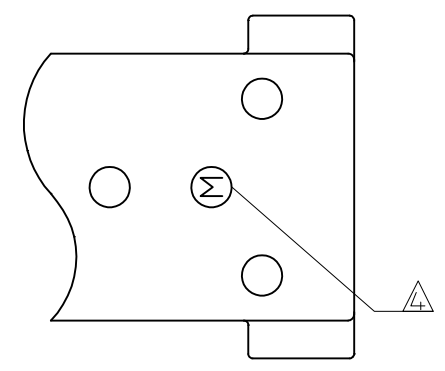
LOC	DIST	REVISIONS					
		P	LTR	DESCRIPTION	DATE	DWN	APVD
J	-		P4	REVISED AS PER ECR-15-018360	17DEC2014	MKD	RRP



断面 "A" - "A"  
SECT



矢視 "M" 1-171370-2  
VIEW



矢視 "M" 1-171370-1  
VIEW

注記:

1. 一般公差 : ±0.2
  2. 適用ピン リセプタクル型番 : □-170063-□, □-353937-□, □-1123655-□
  3. 適用規格番号 : 108-5143 (型番171370-1, 1-171370-1)
- △ 裏面上I.Dマーク : 型番1-171370-1のみ M 表示 文字の向きは任意とする。
  - △ ミューラスRタイプ : UL94V-0, CTI 600V
  - △ フェノール ノンアンモニア : UL94V-0, CTI 175 ~ 249V以上
  - △ 裏面上I.Dマーク : 型番1-171370-2のみ L 表示 文字の向きは任意とする。

NOTES:

1. GENERAL TOLERANCE ±0.2
  2. APPLICABLE CONTACT PART No.: □-170063-□, □-353937-□, □-1123655-□
  3. PRODUCT SPEC No.: 108-5143 (FOR PART No.171370-1 AND 1-171370-1)
- △ I.D MARK ON REAR SIDE : INDICATION M AT PART No.1-171370-1 ONLY. DIRECTION OF CHARACTERS IS FREE.
  - △ MEWLUS "R" TYPE : UL94V-0, CTI 600V MIN
  - △ PHENOLIC NONAMMONIA UL94V-0, CTI 175 ~ 249V
  - △ I.D MARK ON REAR SIDE : INDICATION L AT PART No.1-171370-2 ONLY. DIRECTION OF CHARACTERS IS FREE.

△ 1-171370-2	△ フェノール (PHENOLIC)	黒 (BLACK)
△ 1-171370-1	△ ミューラス Rタイプ (MEWLUS "R" TYPE)	黒 (BLACK)
171370-1	フェノリック (PHENOLIC)	黒 (BLACK)
型番 (PART No.)	材料 (MATERIAL)	色 (COLOR)

THIS DRAWING IS A CONTROLLED DOCUMENT.		DWN M.SUZUKI 21MAY2002	<b>STE</b> TE Connectivity	
DIMENSIONS: 単位: 耗 mm		CHK M.SHINDO 21MAY2002		
TOLERANCES UNLESS OTHERWISE SPECIFIED: 一般公差		APVD M.SHINDO 21MAY2002	2.3 DIA CLUSTER BLOCK Φ2.3 クラスタブロック	
0 PLC ±		PRODUCT SPEC 製品規格		
1 PLC ±		APPLICATION SPEC 取付適用規格	NAME 名称	RESTRICTED TO
2 PLC ±		WEIGHT	SIZE	
3 PLC ±		SEE NOTES 3.	CAGE CODE	DRAWING NO 番号
4 PLC ±			A3	
ANGLES ±		CUSTOMER DRAWING	SCALE 尺度	SHEET 1 of 3
FINISH 仕上			4:1	
MATERIAL 材料 SEE TABLE				

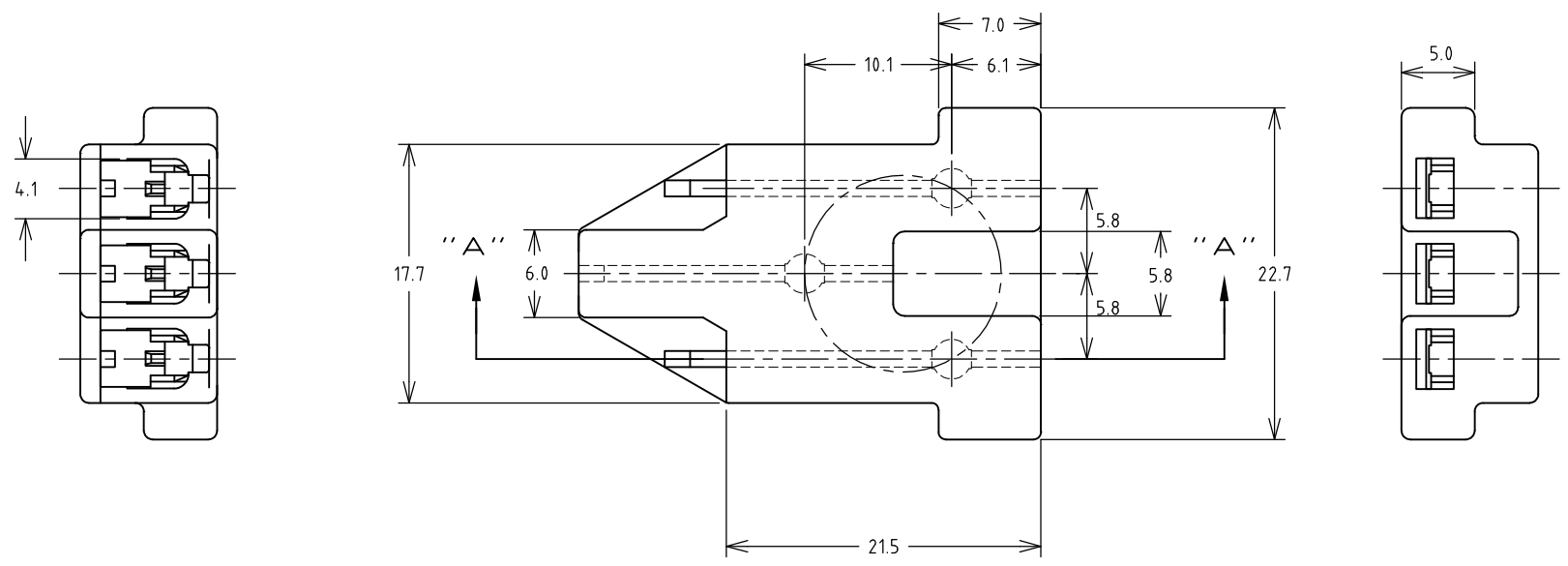
THIS DRAWING IS UNPUBLISHED.

RELEASED FOR PUBLICATION MAY, 21

ALL RIGHTS RESERVED.

© COPYRIGHT 02 By -

LOC	DIST	REVISIONS					
J		変更					
		P	LTR	DESCRIPTION	DATE	DWN	APVD
			-	SEE SHEET 1	-	-	-



注記:

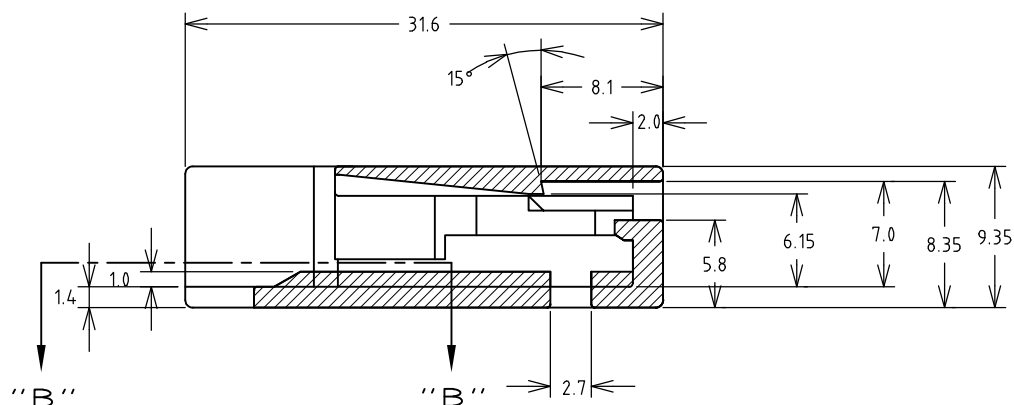
1. 一般公差 : ±0.2
2. 適用ピン リセプタクル型番 : □-170063-□, □-353937-□, □-1123655-□
3. 適用規格番号: 108-5205(型番171370-3)  
108-61239(型番171370-4)  
108-5541(型番171370-5)

- △4 PARTS COMPLY WITH GLOW WIRE 750 PER IEC 60335-1.
- △5 MUST BE APPLIED ON THE OUTSIDE OF COMPRESSOR.

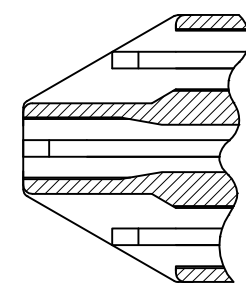
NOTES:

1. GENERAL TOLERANCE ±0.2
2. APPLICABLE CONTACT PART No.:  
□-170063-□, □-353937-□, □-1123655-□
3. PRODUCT SPEC No.: 108-5205(FOR PART No.171370-3)  
108-61239(FOR PART No.171370-4)  
108-5541(FOR PART No.171370-5)

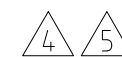
- △4 GLOW WIRE 750(IEC 60335-1), CTI 600V(HALOGEN FREE)
- △5 MUST BE APPLIED ON THE OUTSIDE OF COMPRESSOR.



断面 "A" - "A" SECT



断面 "B" - "B" SECT



171370-5	PBT ガラス強化 PBT GLASS FILLED(UL94V-0)	灰色 (GRAY)
171370-4	PBT ガラス強化 PBT GLASS FILLED(UL94V-0)	黒 (BLACK)
171370-3	PBT ガラス強化 PBT GLASS FILLED(UL94HB)	自然色 (NATURAL)
型番 (PART No.)	材 料 (MATERIAL)	色 (COLOR)

THIS DRAWING IS A CONTROLLED DOCUMENT.		DWN	TE Connectivity														
DIMENSIONS: 単位: 耗 mm		CHK				NAME 名称											
TOLERANCES UNLESS OTHERWISE SPECIFIED: 一般公差		APVD				2.3 DIA CLUSTER BLOCK											
<table border="1"> <tr><td>0 PLC</td><td>±</td></tr> <tr><td>1 PLC</td><td>±</td></tr> <tr><td>2 PLC</td><td>±</td></tr> <tr><td>3 PLC</td><td>±</td></tr> <tr><td>4 PLC</td><td>±</td></tr> <tr><td>ANGLES</td><td>±</td></tr> </table>		0 PLC				±	1 PLC	±	2 PLC	±	3 PLC	±	4 PLC	±	ANGLES	±	PRODUCT SPEC 製品規格 SEE NOTE 3
0 PLC	±																
1 PLC	±																
2 PLC	±																
3 PLC	±																
4 PLC	±																
ANGLES	±																
MATERIAL 材料 SEE TABLE		FINISH 仕上	APPLICATION SPEC 取付適用規格	SIZE	CAGE CODE	DRAWING NO 番号	RESTRICTED TO										
			WEIGHT	A3	00779	G-171370	-										
CUSTOMER DRAWING			SCALE 尺度	4:1	SHEET	2 OF 3	REV P4										

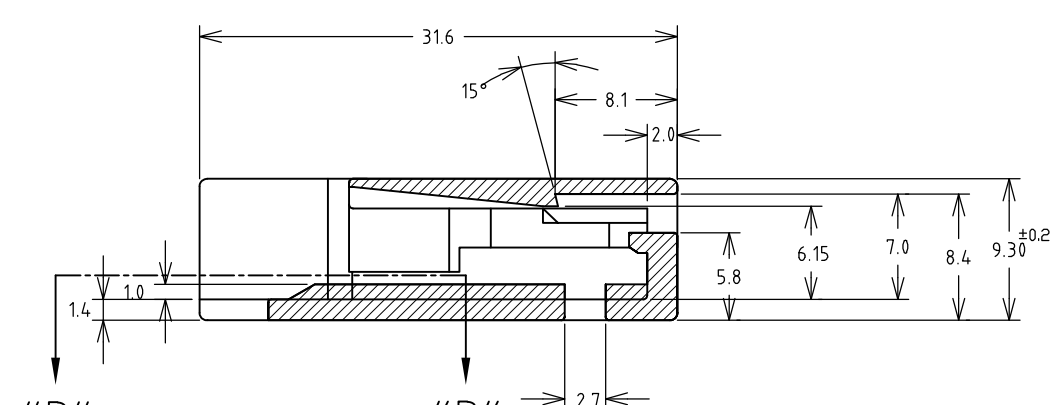
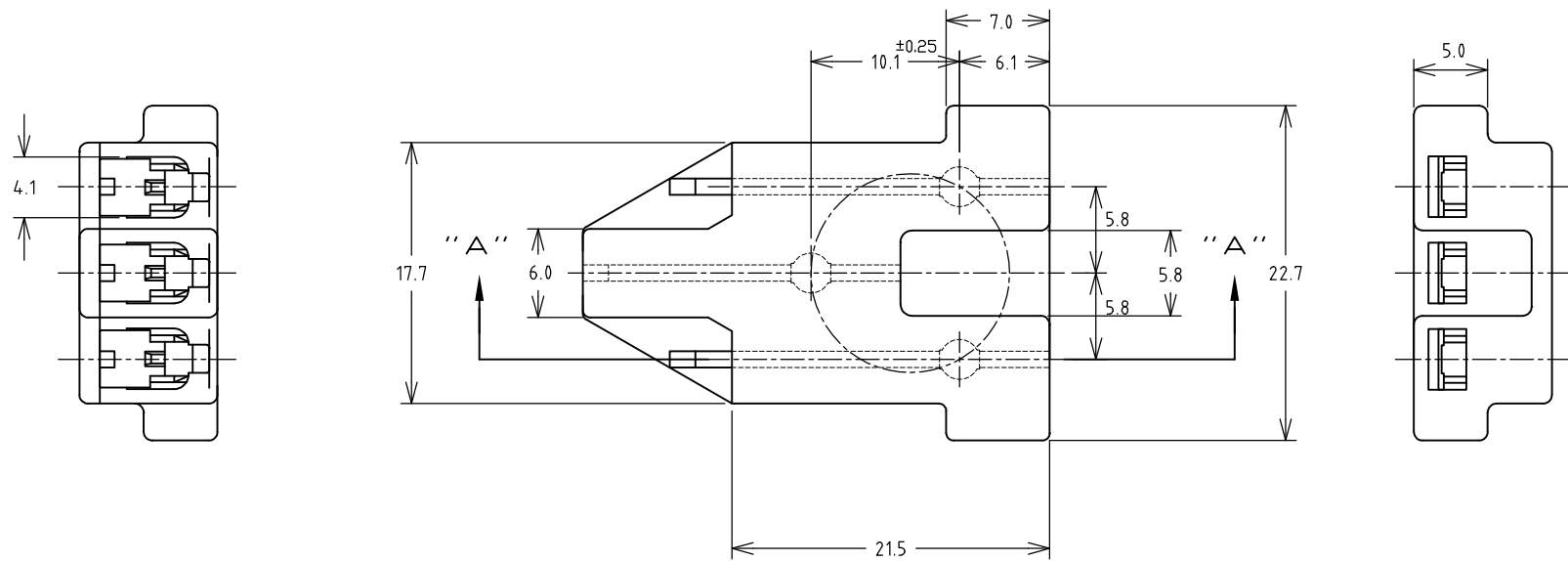
THIS DRAWING IS UNPUBLISHED.

RELEASED FOR PUBLICATION MAY, 21 .

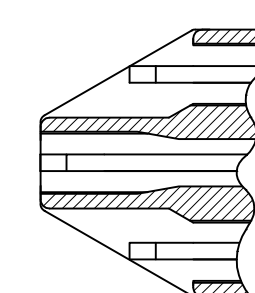
© COPYRIGHT 02 By -

ALL RIGHTS RESERVED.

LOC	DIST	REVISIONS					
		P	LTR	DESCRIPTION	DATE	DWN	APVD
J		-		SEE SHEET 1	-	-	-



断面“A-A”-“A-A” SECT



断面“B-B”-“B-B” SECT

- 注記:
1. 一般公差 : ±0.2
  2. 適用ピン リセプタクル型番 : □-170063-□, □-353937-□, □-1123655-□
  3. 適用規格番号: 108-140004 (型番171370-7)
  4. PRELIMINARY-NOT FOR PRODUCTION
  5. PARTS COMPLY WITH GLOW WIRE REQUIREMENTS DETAILED IN IEC 60335-1

- NOTES:
1. GENERAL TOLERANCE ±0.2
  2. APPLICABLE CONTACT PART No. : □-170063-□, □-353937-□, □-1123655-□
  3. PRODUCT SPEC No.: 108-140004 (FOR PART No.171370-7)
  4. PRELIMINARY-NOT FOR PRODUCTION
  5. PARTS COMPLY WITH GLOW WIRE REQUIREMENTS DETAILED IN IEC 60335-1
  6. PRELIMINARY PART

6	171370-8	PPS (UL94V-0)	(NATURAL)
5	171370-6	PA 6 GLASS FILLED	自然色 (NATURAL)
	171370-7	液晶ポリマー (UL94V-0) LCP (UL94V-0)	自然色 (NATURAL)
	型番 (PART No.)	材料 (MATERIAL)	色 (COLOR)

THIS DRAWING IS A CONTROLLED DOCUMENT.		DWN	<b>STE</b> TE Connectivity		
DIMENSIONS: 単位: 耗 mm		CHK			
TOLERANCES UNLESS OTHERWISE SPECIFIED: 一般公差		APVD	NAME 名称		
0 PLC ±		PRODUCT SPEC 製品規格		2.3 DIA CLUSTER BLOCK	
1 PLC ±		SEE NOTE 3		Φ2.3 クラスタブロック	
2 PLC ±		APPLICATION SPEC 取付適用規格		SIZE	CAGE CODE
3 PLC ±		WEIGHT		A3	00779
4 PLC ±		CUSTOMER DRAWING		DRAWING NO 番号	RESTRICTED TO
ANGLES ±		SCALE 尺度 4:1		G-171370	-
FINISH 仕上		SHEET 3 of 3		REV P4	
MATERIAL 材料 SEE TABLE		SCALE 4:1		SHEET 3 of 3	
		REV P4			