



Chipsmall Limited consists of a professional team with an average of over 10 year of expertise in the distribution of electronic components. Based in Hongkong, we have already established firm and mutual-benefit business relationships with customers from,Europe,America and south Asia,supplying obsolete and hard-to-find components to meet their specific needs.

With the principle of “Quality Parts,Customers Priority,Honest Operation,and Considerate Service”,our business mainly focus on the distribution of electronic components. Line cards we deal with include Microchip,ALPS,ROHM,Xilinx,Pulse,ON,Everlight and Freescale. Main products comprise IC,Modules,Potentiometer,IC Socket,Relay,Connector.Our parts cover such applications as commercial,industrial, and automotives areas.

We are looking forward to setting up business relationship with you and hope to provide you with the best service and solution. Let us make a better world for our industry!



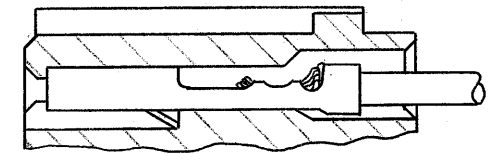
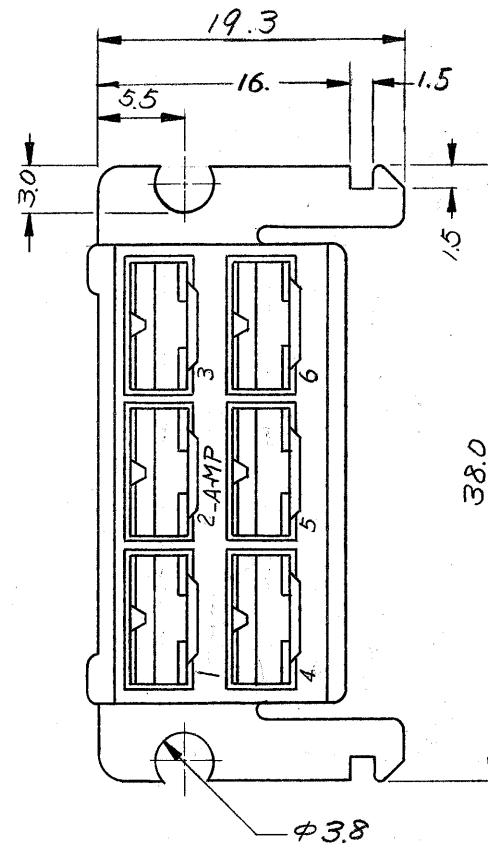
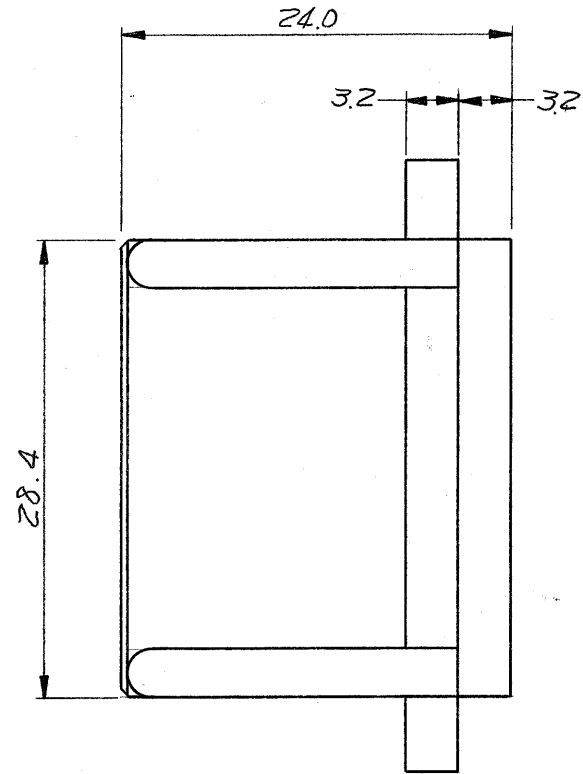
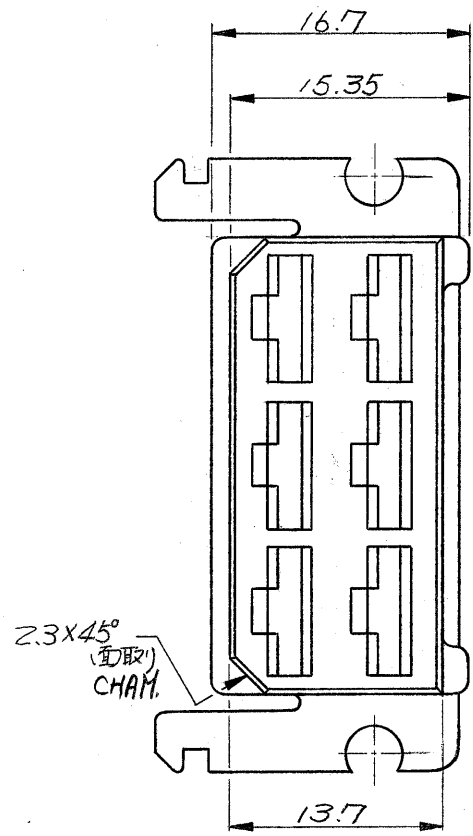
## Contact us

Tel: +86-755-8981 8866 Fax: +86-755-8427 6832

Email & Skype: info@chipsmall.com Web: www.chipsmall.com

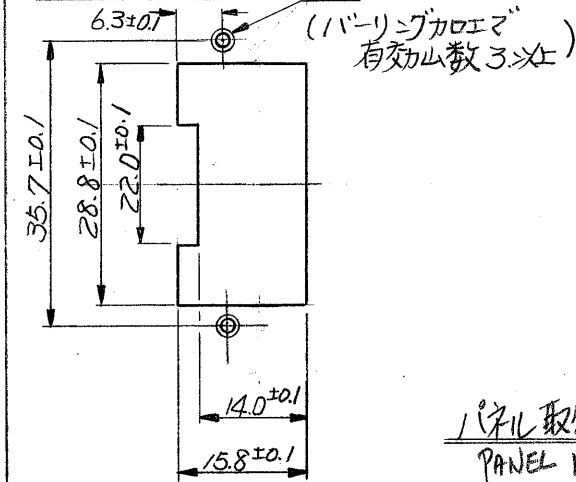
Address: A1208, Overseas Decoration Building, #122 Zhenhua RD., Futian, Shenzhen, China





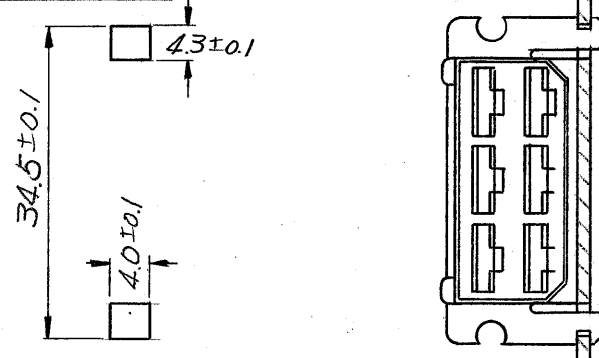
ファステナーファストン嵌合状態  
(FASTEN-FASTON MATING STATE)

PANEL CUTTING DIMENSION  
パネル打抜寸法



パネル取付応用例(オ1)  
PANEL INSTALLATION

PANEL CUTTING DIMENSION  
パネル打抜寸法



パネル取付応用例(オ2)  
PANEL INSTALLATION

1-171432-9	710N6-6	黒 (BLACK)
1-8		灰 (GRAY)
1-7		紫 (VIOLET)
1-6		青 (BLUE)
1-5		緑 (GREEN)
1-4		黄 (YELLOW)
1-3		橙 (ORANGE)
1-2		赤 (RED)
1-171432-1		茶 (BROWN)
171432-1	710=6-6	自然色 (NATURAL COLOR)
ハウジング番号	材料	色

- 注:
- △ 適用端子型番: 170092.
  - △ 適用タブハウジング型番: 171433.
- NOTES:
- △ APPLIED CONTACT P/N; 170092
  - △ APPLIED TAB HSG P/N; 171433

C-171432			
A	REVISED (1-8 OBSOLETE)	KY	3/10/92
01	ADDED (REV-A)	H.S.	4/1/94
0	RELEASED	KY	7/2/94
LTR.	変更 (REVISION RECORD)	DR.	CHK. DATE

組立部品 (REQUIRED PER ASSEMBLY)	番号 (NUMBER)	名称 (NAME)	摘要 (REMARKS)	ITEM NO.
	Copyright ©1992年	Copyright ©1992 AMP (Japan), LTD. ALL RIGHTS RESERVED.	参考図面 (CUSTOMER COPY) (REFERENCE ONLY)	
	材料 (MATERIAL)	SEE TABLE 表参照	AMP   AMP (JAPAN), LTD. Tokyo, Japan	
	仕上 (FINISH)	—	分類 (CLASS)	
	DR.	K. YUO 8/15/74	一般公差 [TOLERANCE EXCEPT AS NOTED]	尺度 (SCALE)
	CHK.	C. Sasaki 9/2/74	±0.4 ±1.0	—
	DE.		名称 (NAME)	6POS. CIRCUIT FASTEN-FASTON REC HOUSING
	APP.	J. Sato 9/9/74	6極	ファステナーファストンリセプタクルハウジング
記事 (DESCRIPTION)			LOG	SIZE
			J	B
			C-171432	A

単位: 耗 DIMENSIONS IN MM. DO NOT SCALE PRINT