



Chipsmall Limited consists of a professional team with an average of over 10 year of expertise in the distribution of electronic components. Based in Hongkong, we have already established firm and mutual-benefit business relationships with customers from,Europe,America and south Asia,supplying obsolete and hard-to-find components to meet their specific needs.

With the principle of “Quality Parts,Customers Priority,Honest Operation,and Considerate Service”,our business mainly focus on the distribution of electronic components. Line cards we deal with include Microchip,ALPS,ROHM,Xilinx,Pulse,ON,Everlight and Freescale. Main products comprise IC,Modules,Potentiometer,IC Socket,Relay,Connector.Our parts cover such applications as commercial,industrial, and automotives areas.

We are looking forward to setting up business relationship with you and hope to provide you with the best service and solution. Let us make a better world for our industry!



Contact us

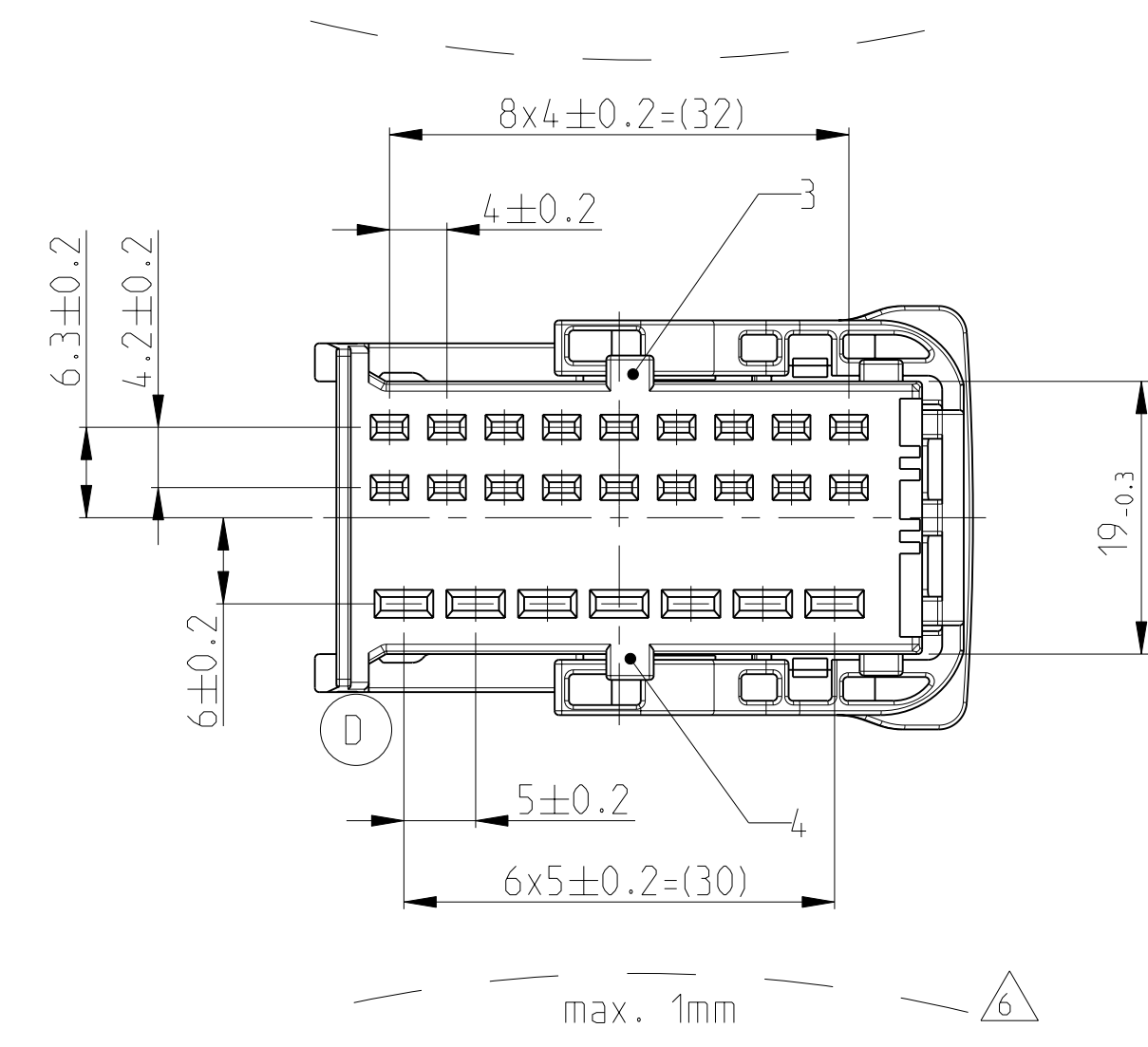
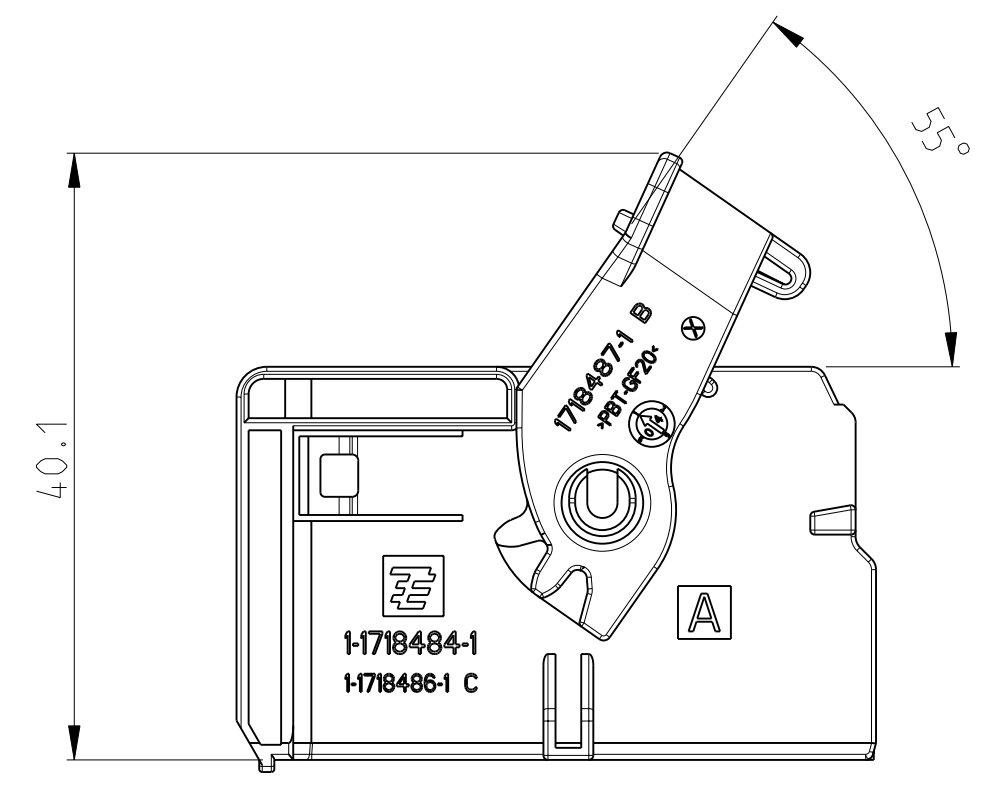
Tel: +86-755-8981 8866 Fax: +86-755-8427 6832

Email & Skype: info@chipsmall.com Web: www.chipsmall.com

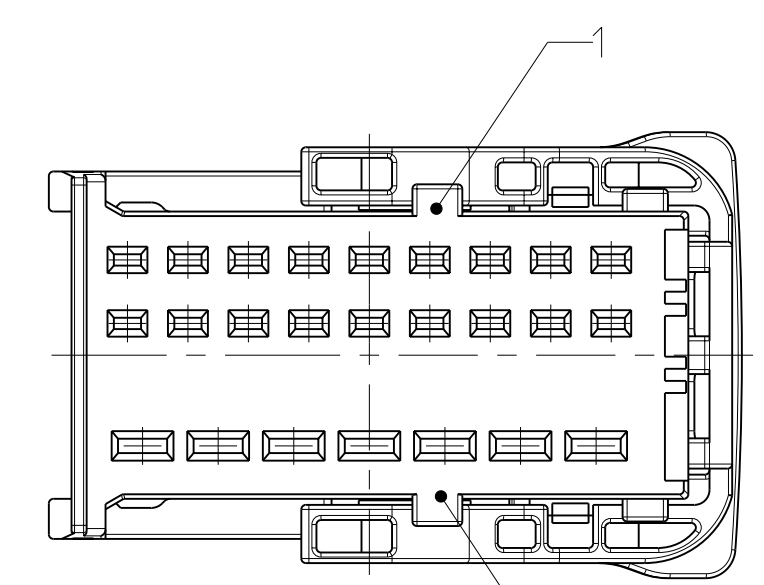
Address: A1208, Overseas Decoration Building, #122 Zhenhua RD., Futian, Shenzhen, China



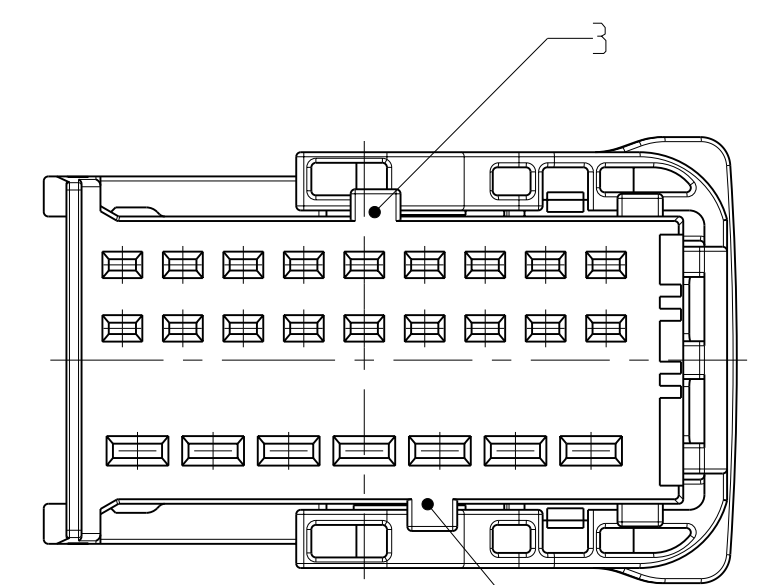
CARRIER IN PRE LOCKED POSITION
 Träger in Vorraststellung



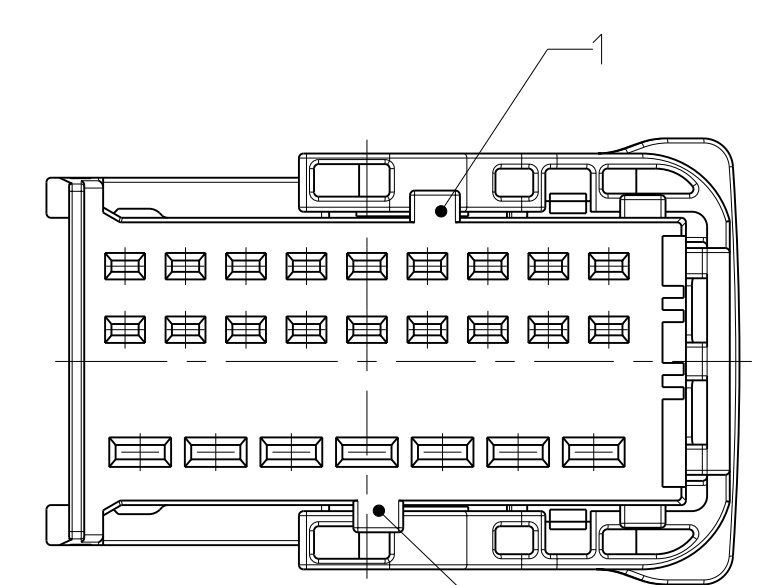
FURTHER CODING
 weitere Kodierung



CODING B
 Kodierung



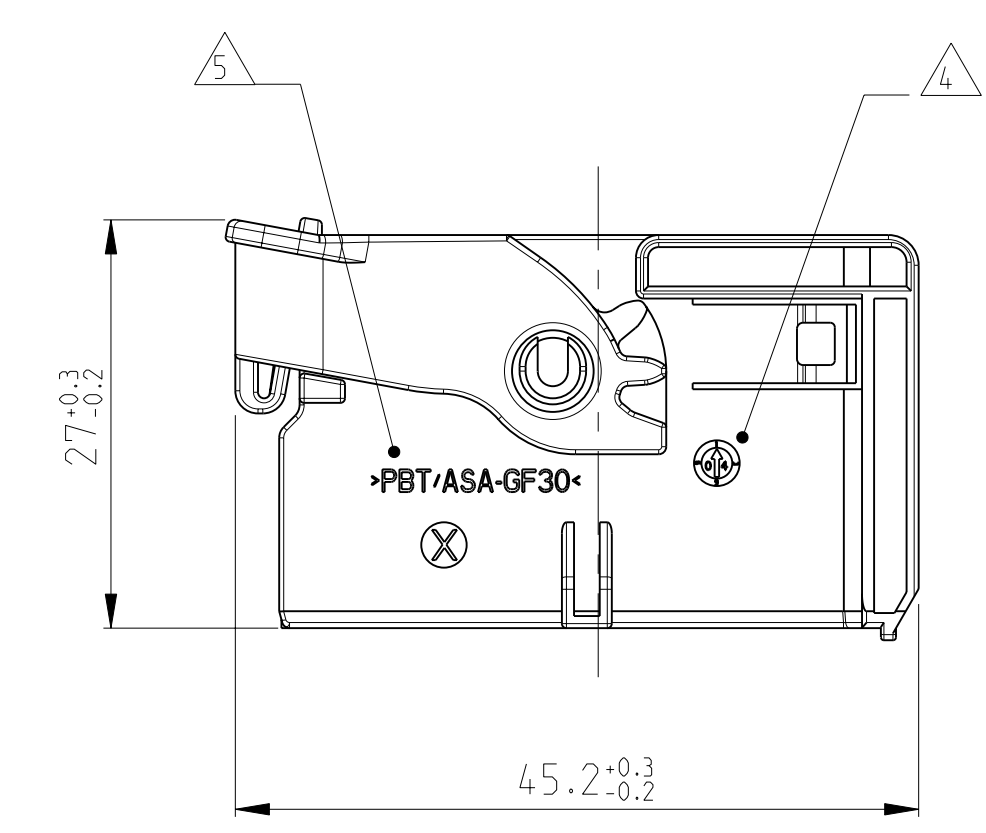
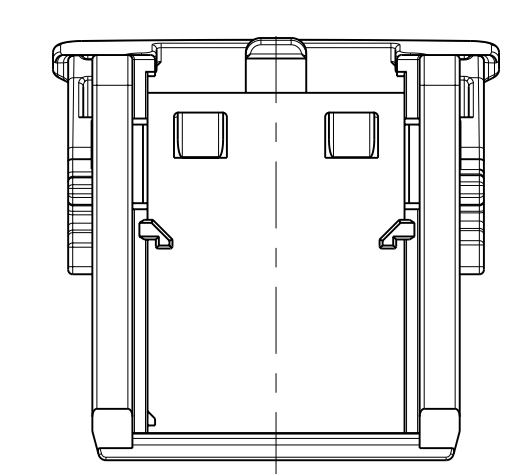
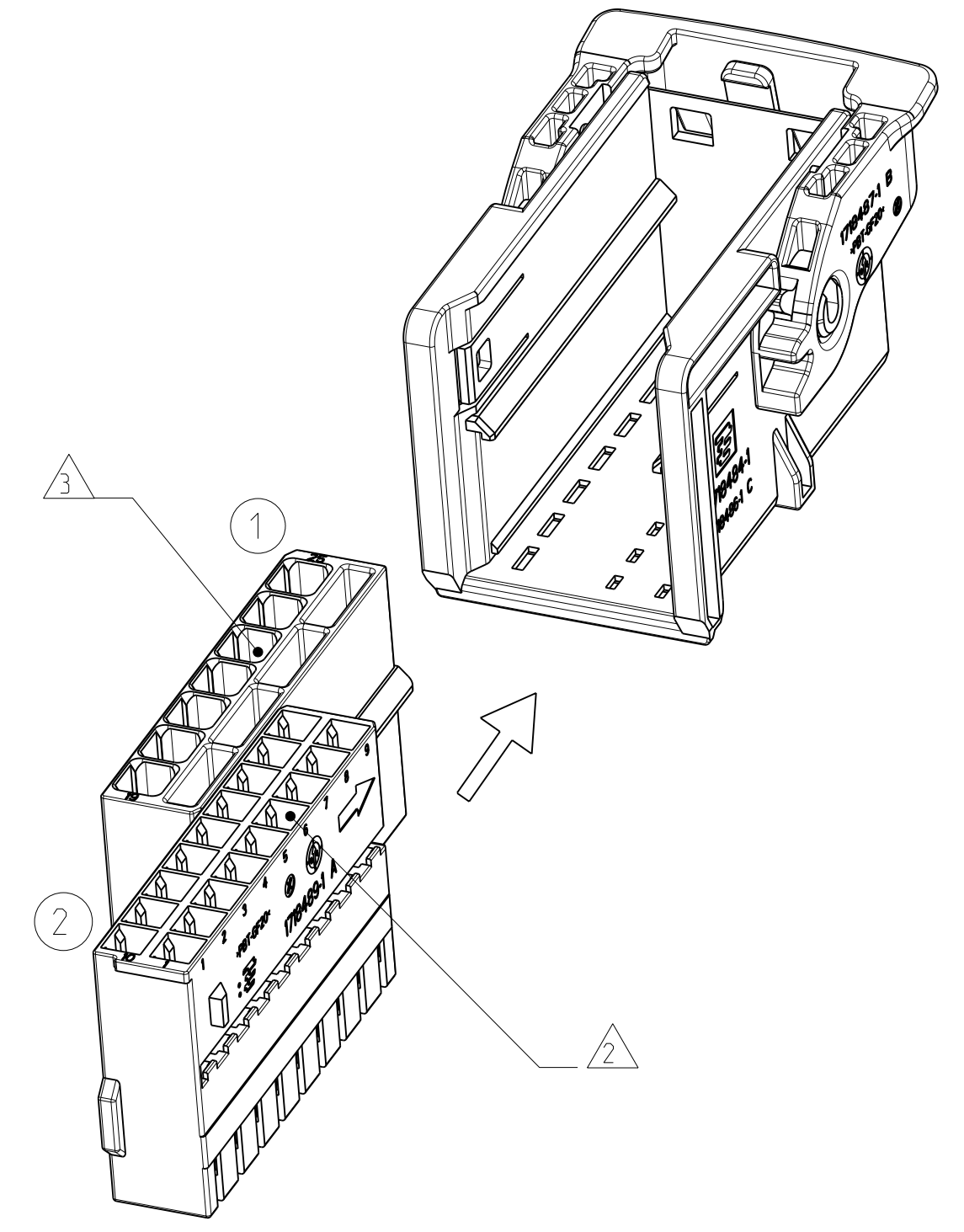
CODING C
 Kodierung



CODING D
 Kodierung

CARRIER WITH RECEPTACLE INSERTS
 ASSEMBLY SEQUENCE

Träger mit Buchseneinsätze
 Montage Reihenfolge



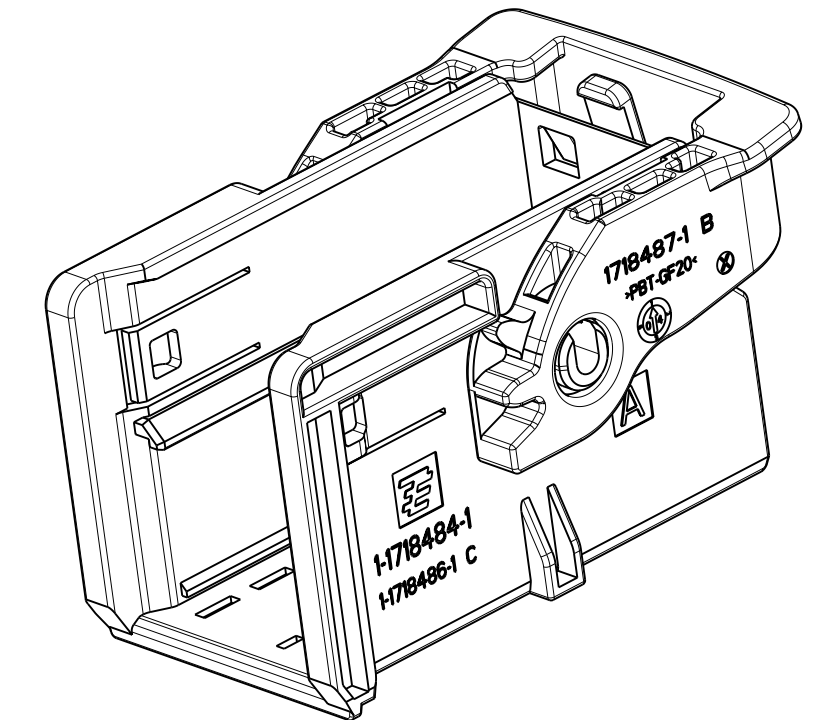
NOTES
 Bemerkungen

- 1 TYCO ELECTRONICS (TE) LOGO AND TE NUMBER
Tyco Electronics (TE) Logo und TE Nummer
- 2 FITS TO TE RECEPTACLE INSERT AMP MCP 1.5K
18 POSITION. 1718489-1
Passend zu TE Buchseneinsatz AMP MCP 1.5K
18 polig. 1718489-1
- 3 FITS TO TE RECEPTACLE INSERT AMP MCP 2.8
7 POSITION. 1718488-1
Passend zu TE Buchseneinsatz AMP MCP 2.8
7 polig. 1718488-1
- 4 PRODUCTION DATE
Produktionsdatum
- 5 MATERIAL IDENTIFICATION ACC TO VDA 260
Werkstoffkennzeichnung nach VDA 260
- 6 WARPAGE TO . . . PERMITTED
Verzug zulässig bis . . .
- 7 CODING MARKING
Kodierungskennzeichnung
- 8 BULK PACKAGING IN CORRUGATED BOX
Schüttgut im Versandkarton
- 9 FITS TO TE COUNTERPART 1.5/2.8 MM TAB HOUSING. 18-7POS
1718491
Passend zu TE Gegenstecker 1.5/2.8 mm Flachsteckergeh.. 18-7pol.
1718491
- 10 MALFUNCTION CAUSED BY LACQUER IS NOT
COVERED BY TE WARRANTY
Funktionsbeeinträchtigung durch Lackieren liegt nicht
im Einfluss und Gewährleistungsumfang von TE

CODING A AS SHOWN
 Kodierung A wie gezeigt

DELIVERY CONDITIONS:
 Lieferzustand:

LEVER IN LOCKED POSITION
 Hebel in Verriegelungsstellung



CODE Kodierung	TE ORDER-NO. TE Bestell-Nr.	REV.	QTY Anzahl	MAT. Farbe	DESCRIPTION Beschreibung	REV.	ITEM
D	1-1718484-4	D	1	PBT-GF20	YELLOW gelb	LEVER Hebel	B 2
			1	PBT/ASA-GF30	YELLOW GREEN gelbgrün	CARRIER CODE D Träger-Kodierung D	C 1
C	1-1718484-3	D	1	PBT-GF20	YELLOW gelb	LEVER Hebel	B 2
			1	PBT/ASA-GF30	LIGHT BLUE lichtblau	CARRIER CODE C Träger-Kodierung C	C 1
B	1-1718484-2	D	1	PBT-GF20	YELLOW gelb	LEVER Hebel	B 2
			1	PBT/ASA-GF30	DUSTY GREY staubgrau	CARRIER CODE B Träger-Kodierung B	C 1
A	1-1718484-1	D	1	PBT-GF20	YELLOW gelb	LEVER Hebel	B 2
			1	PBT/ASA-GF30	BLACK schwarz	CARRIER CODE A Träger-Kodierung A	C 1

DIMENSIONS MASSENMÄßEN		TOLERANCES UNLESS OTHERWISE SPECIFIED ACC. TO DIN 9130-140		DWN F. Ellrod		DATE 23 JUL 2004		DRAWING NO. 1718484-1		SHEET 1 OF 1	
PLC	±	PLC	±	APVD	Ch. Eberwein	NAME	Tyco Electronics	DATE	22 FEB 2010	SCALE	2:1
PLC	±	PLC	±	PRODUCT SPEC	108-18957	DESCRIPTION	CARRIER FOR AMP MCP1.5K/2.8 RECEPTACLE INSERTS. 18-7POS	DWN	FE	REV	CE
PLC	±	PLC	±	APPLICATION SPEC	114-18663	PRODUCT SPEC	108-18957	DATE	22 FEB 2010	REV	CE
PLC	±	PLC	±	VERARBEITUNGSSPEZ.	114-18663	APPLICATION SPEC	114-18663	DATE	01 MAR 2011	REV	CE
PLC	±	PLC	±	WEIGHT GEWICHT	8.6 g	WEIGHT GEWICHT	8.6 g	DATE	01 MAR 2011	REV	CE
PLC	±	PLC	±	CUSTOMER Drawing		CUSTOMER Drawing		DATE	01 MAR 2011	REV	CE