



Chipsmall Limited consists of a professional team with an average of over 10 year of expertise in the distribution of electronic components. Based in Hongkong, we have already established firm and mutual-benefit business relationships with customers from,Europe,America and south Asia,supplying obsolete and hard-to-find components to meet their specific needs.

With the principle of “Quality Parts,Customers Priority,Honest Operation,and Considerate Service”,our business mainly focus on the distribution of electronic components. Line cards we deal with include Microchip,ALPS,ROHM,Xilinx,Pulse,ON,Everlight and Freescale. Main products comprise IC,Modules,Potentiometer,IC Socket,Relay,Connector.Our parts cover such applications as commercial,industrial, and automotives areas.

We are looking forward to setting up business relationship with you and hope to provide you with the best service and solution. Let us make a better world for our industry!



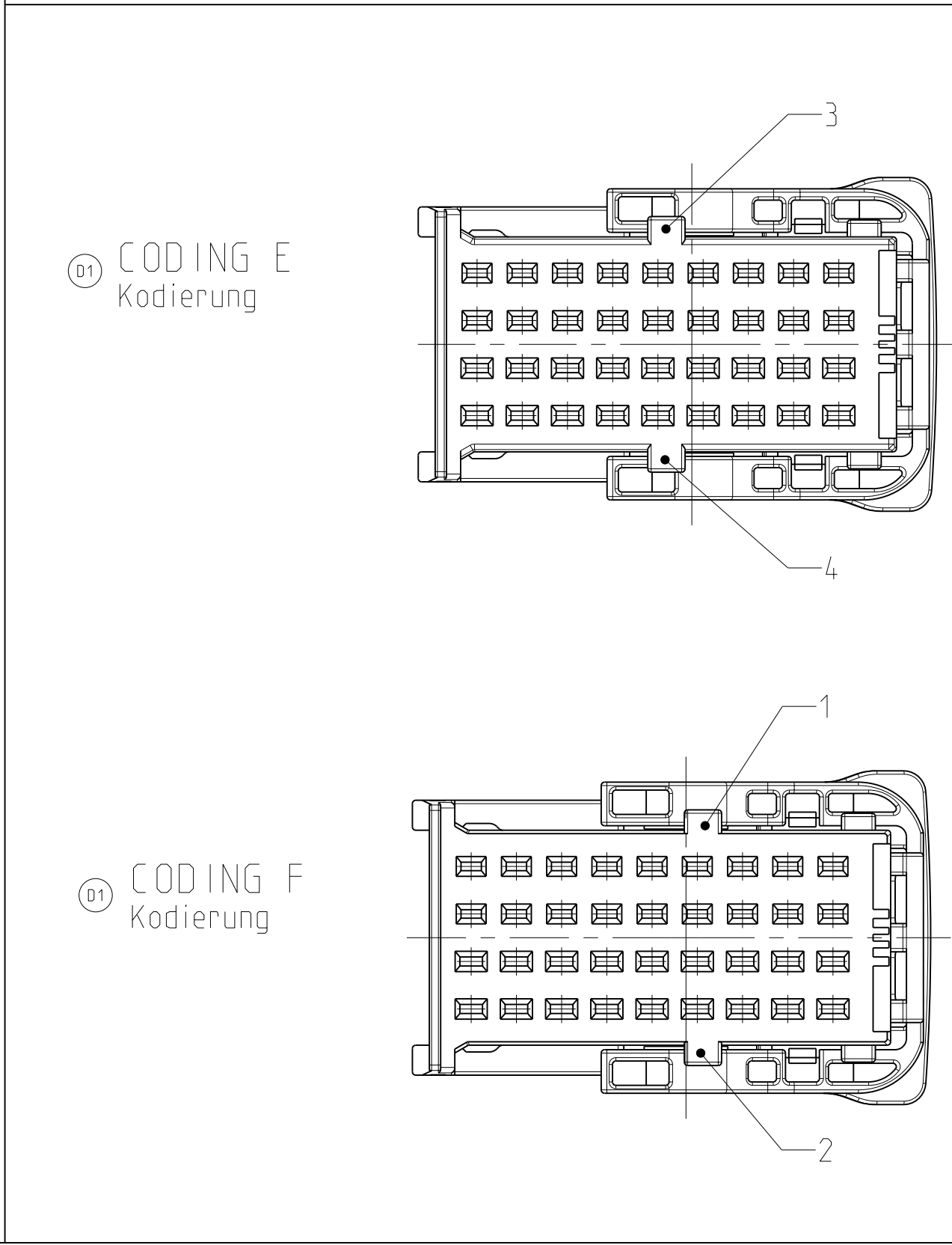
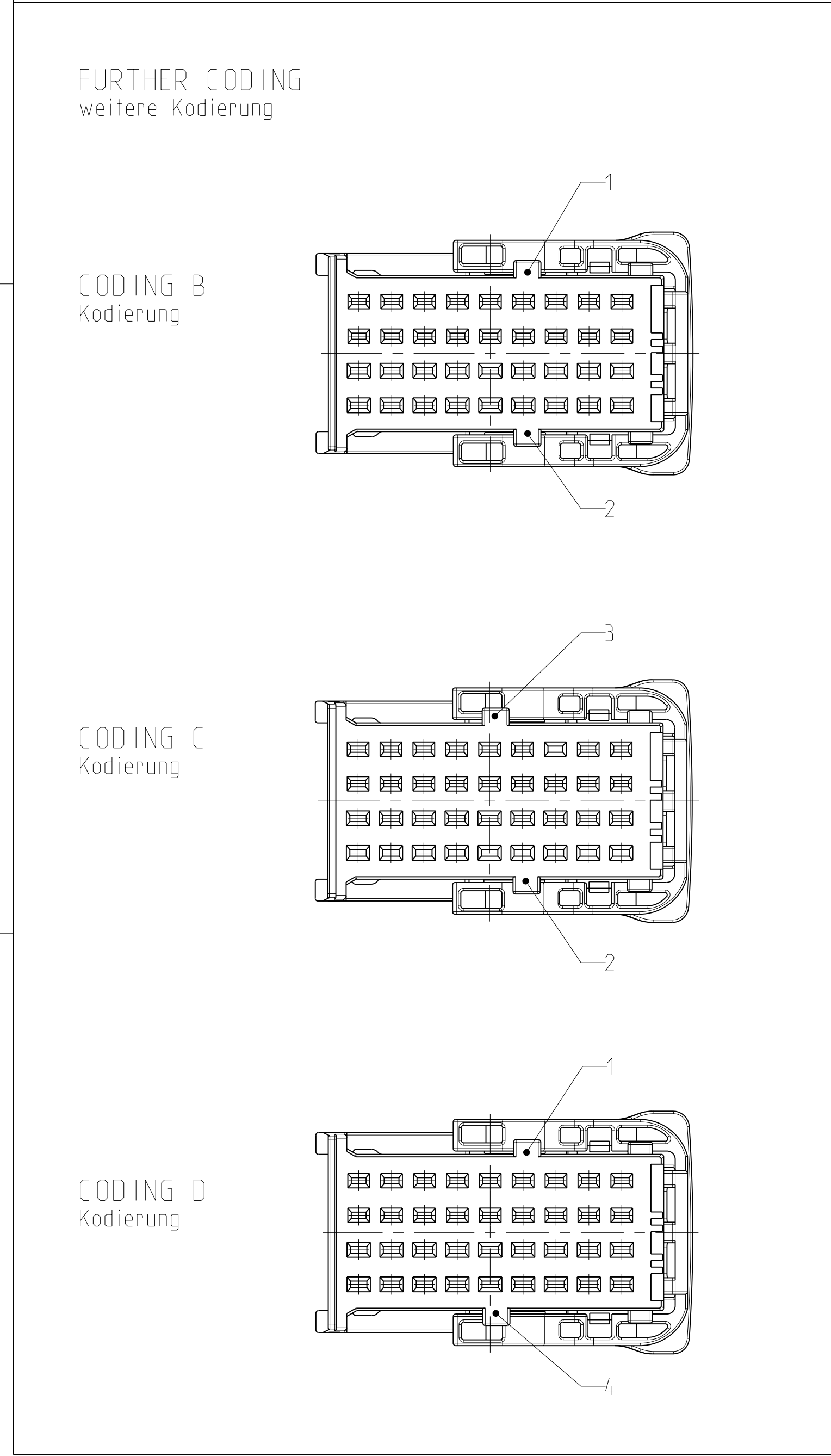
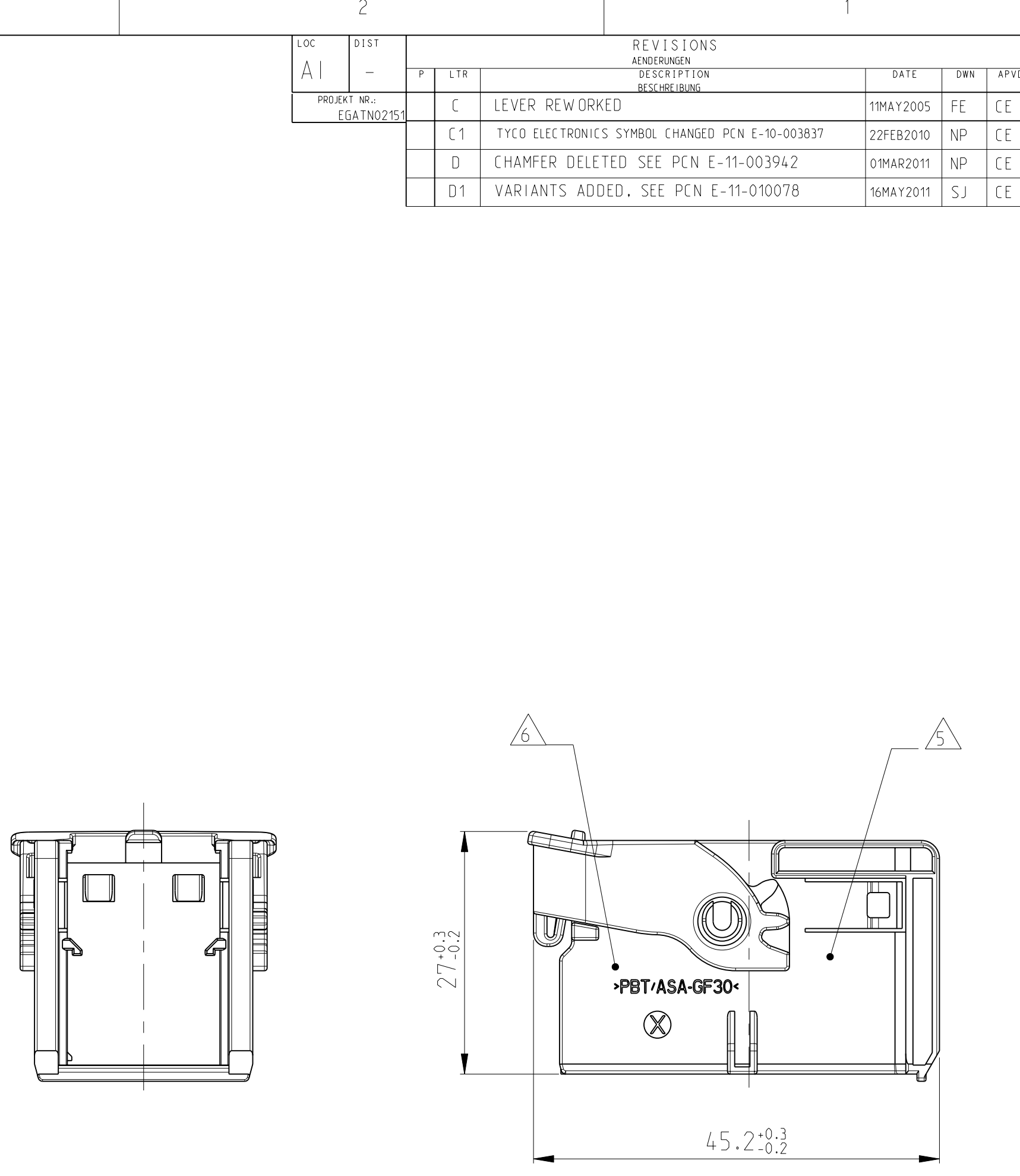
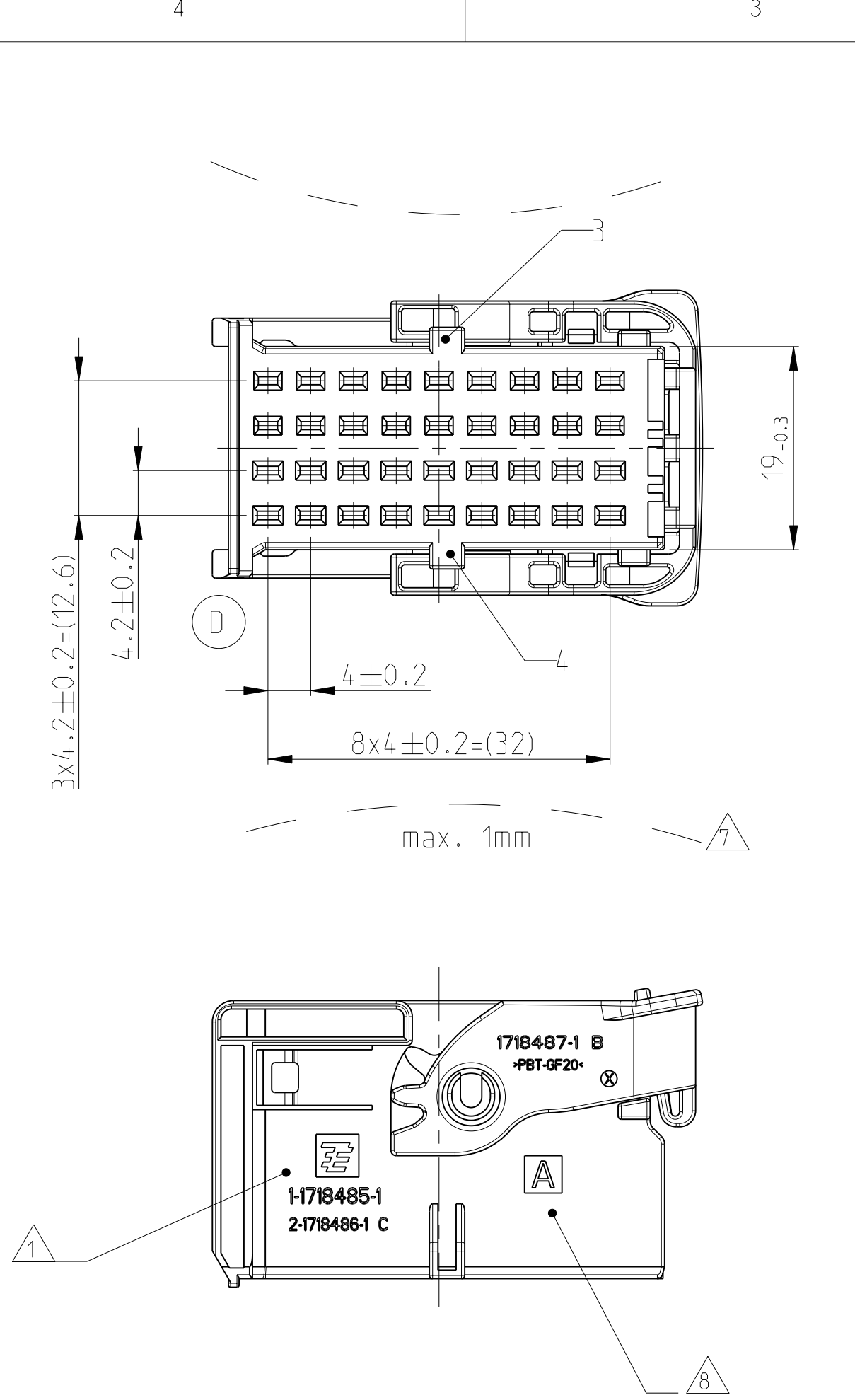
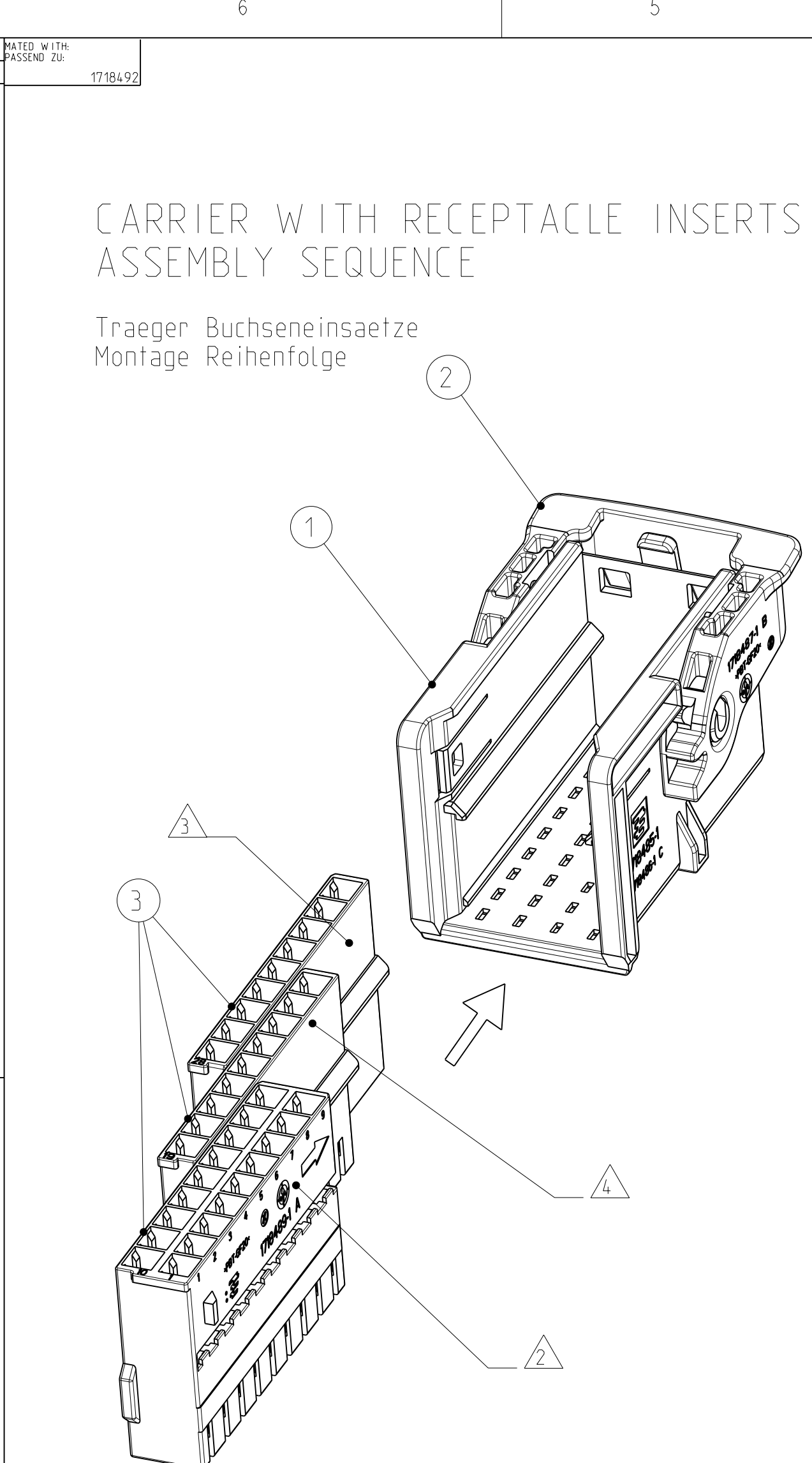
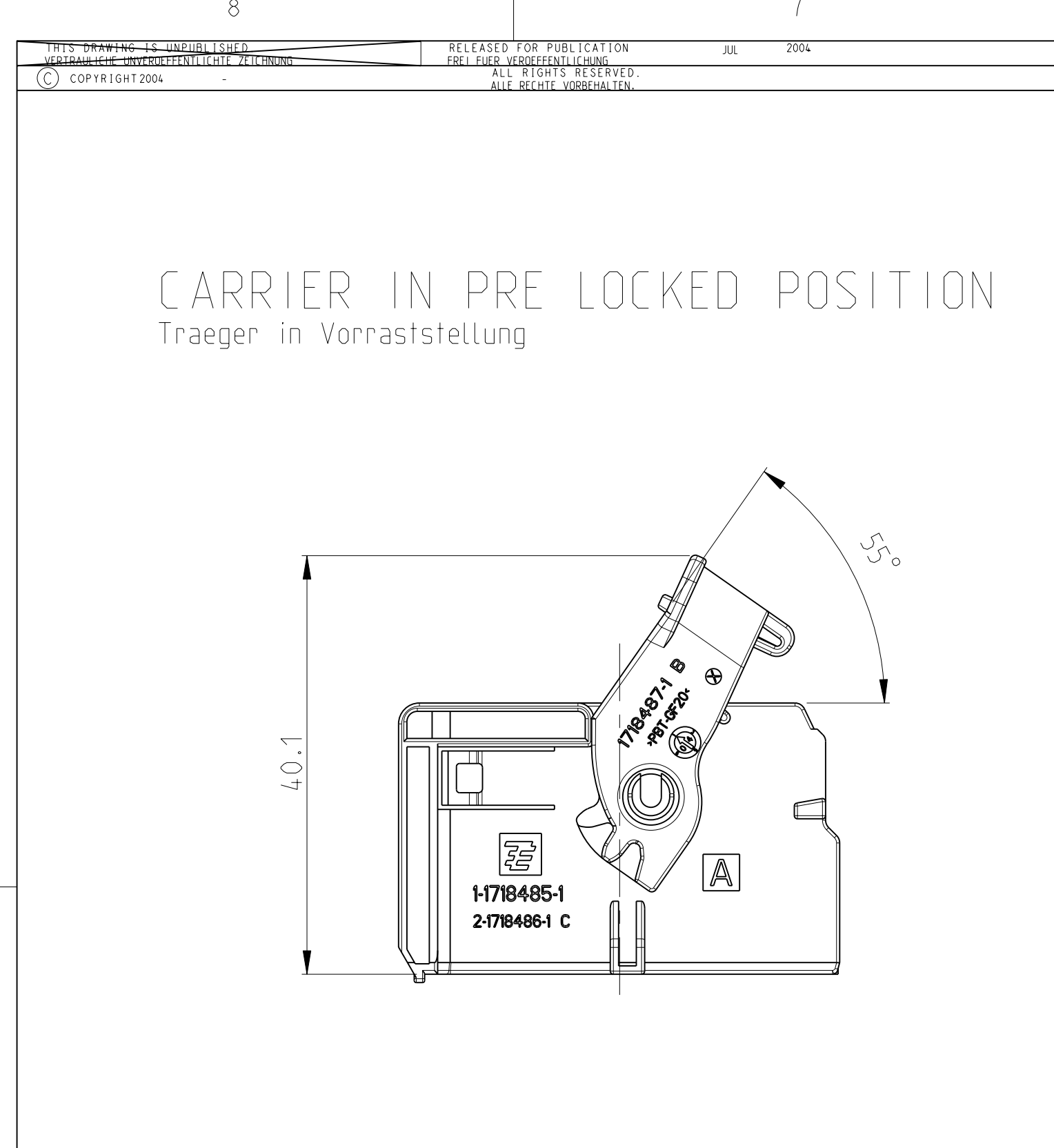
## Contact us

Tel: +86-755-8981 8866 Fax: +86-755-8427 6832

Email & Skype: info@chipsmall.com Web: www.chipsmall.com

Address: A1208, Overseas Decoration Building, #122 Zhenhua RD., Futian, Shenzhen, China





**NOTES**  
Bemerkungen

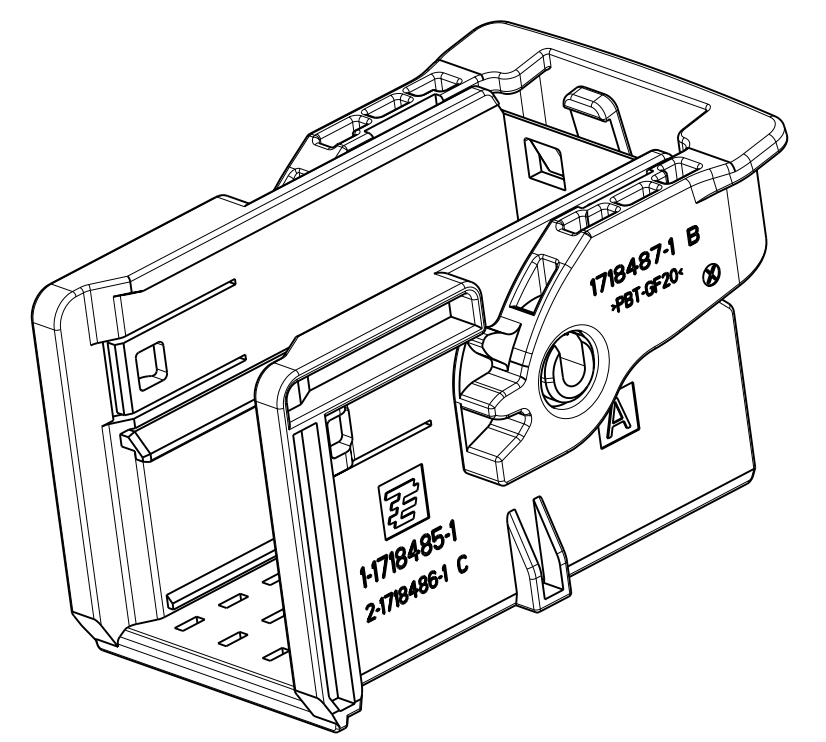
- 1 TE LOGO AND TE NUMBER  
TE Logo und TE Nummer
- 2 FITS TO TE RECEPTACLE INSERT AMP MCP 1.5K 18 POSITION, 1718489-1  
Passend zu TE Buchseneinsatz AMP MCP 1.5K 18 polig, 1718489-1
- 3 FITS TO TE RECEPTACLE INSERT AMP MCP 1.5K 9 POSITION, 1718490-1, CAVITY-NO: 28-36  
Passend zu TE Buchseneinsatz AMP MCP 1.5K 9 polig, 1718490-1, Kammernummerierung: 28-36
- 4 FITS TO TE RECEPTACLE INSERT AMP MCP 1.5K 9 POSITION, 1718490-2, CAVITY-NO: 19-27  
Passend zu TE Buchseneinsatz AMP MCP 1.5K 9 polig, 1718490-2, Kammernummerierung: 19-27
- 5 PRODUCTION DATE  
Produktionsdatum
- 6 MATERIAL IDENTIFICATION ACC TO VDA 260  
Werkstoffkennzeichnung nach VDA 260
- 7 WARPAGE TO . . . PERMITTED  
Verzug zulässig bis . . .
- 8 CODING MARKING  
Kodierungskennzeichnung
- 9 BULK PACKAGING IN CORRUGATED BOX  
Schuetzfolie im Versandkarton
- 10 FITS TO TE COUNTERPART 1.5 MM TAB HOUSING, 36POS 1718492  
Passend zu TE Gegenstecker 1.5 mm Flachsteckergeh., 36pol., 1718492
- 11 FITS TO TE COUNTERPART 11POS. MIXED TAB HEADER 1718523  
Passend zu TE Gegenstecker 11pol., Messerleiste 1718523
- 12 FITS TO TE INTERFACE DRAWING 114-18664  
Passend zu TE Ausfuehrungsvorschrift 114-18664
- 13 MALFUNCTION CAUSED BY LACQUER IS NOT COVERED BY TE WARRANTY  
Funktionsbeeintraechtigung durch Lackieren liegt nicht im Einfluss und Gewaehrleistungsumfang von TE

CODE Kodierung	TE ORDER-NO. TE Bestell-Nr.	REV.	QTY Anzahl	MAT.	COLOUR Farbe	DESCRIPTION Beschreibung	REV.	ITEM
F	1-1718485-6	D	1	PBT-GF20	YELLOW gelb	LEVER Hebel	B	2
F	1-1718485-6	D	1	PBT/ASA-GF30	PASTEL ORANGE pastelorange	CARRIER CODE F Traeger Kodierung F	C	1
E	1-1718485-5	D	1	PBT-GF20	YELLOW gelb	LEVER Hebel	B	2
E	1-1718485-5	D	1	PBT/ASA-GF30	DUSTY GREY staubgrau	CARRIER CODE E Traeger Kodierung E	C	1
D	1-1718485-4	D	1	PBT-GF20	YELLOW gelb	LEVER Hebel	B	2
D	1-1718485-4	D	1	PBT/ASA-GF30	WATER BLUE wasserblau	CARRIER CODE D Traeger Kodierung D	C	1
C	1-1718485-3	D	1	PBT-GF20	YELLOW gelb	LEVER Hebel	B	2
C	1-1718485-3	D	1	PBT/ASA-GF30	EMERALD GREEN smaragdgrün	CARRIER CODE C Traeger Kodierung C	C	1
B	1-1718485-2	D	1	PBT-GF20	YELLOW gelb	LEVER Hebel	B	2
B	1-1718485-2	D	1	PBT/ASA-GF30	TRAFFIC PURPLE verkehrsviolett	CARRIER CODE B Traeger Kodierung B	C	1
A	1-1718485-1	D	1	PBT-GF20	YELLOW gelb	LEVER Hebel	B	2
A	1-1718485-1	D	1	PBT/ASA-GF30	FAWN BROWN rethraun	CARRIER CODE A Traeger Kodierung A	C	1

**CODING A AS SHOWN**  
Kodierung A wie gezeigt

**DELIVERY CONDITIONS:**  
Lieferzustand:

**LEVER IN LOCKED POSITION**  
Hebel in Verriegelungsstellung



THIS DRAWING IS A CONTROLLED DOCUMENT.  
Dieses Zeichnungsdokument ist durch AMP kontrolliert.  
Änderungen sind ohne schriftliche Genehmigung von AMP nicht zulässig.  
Änderungen sind ohne schriftliche Genehmigung von AMP nicht zulässig.

DATE: 23 JUL 2004  
DRAWING NO: 1718485-1  
SCALE: 2:1

TE Connectivity  
CARRIER FOR AMP MCP1.5K RECEPTACLE INSERTS, 36POS.  
Traeger fuer AMP MCP1.5K Buchseneinsaeetze, 36pol.

WEIGHT: 8.6g

CUSTOMER DRAWING