



Chipsmall Limited consists of a professional team with an average of over 10 year of expertise in the distribution of electronic components. Based in Hongkong, we have already established firm and mutual-benefit business relationships with customers from,Europe,America and south Asia,supplying obsolete and hard-to-find components to meet their specific needs.

With the principle of "Quality Parts,Customers Priority,Honest Operation,and Considerate Service",our business mainly focus on the distribution of electronic components. Line cards we deal with include Microchip,ALPS,ROHM,Xilinx,Pulse,ON,Everlight and Freescale. Main products comprise IC,Modules,Potentiometer,IC Socket,Relay,Connector.Our parts cover such applications as commercial,industrial, and automotives areas.

We are looking forward to setting up business relationship with you and hope to provide you with the best service and solution. Let us make a better world for our industry!



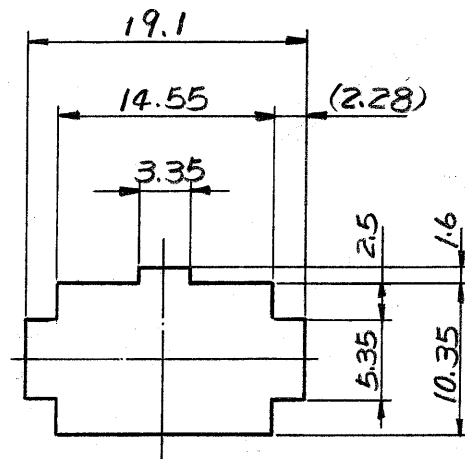
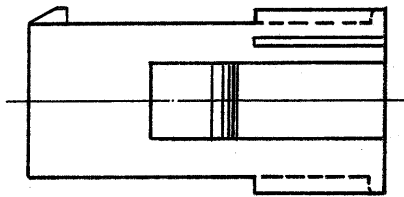
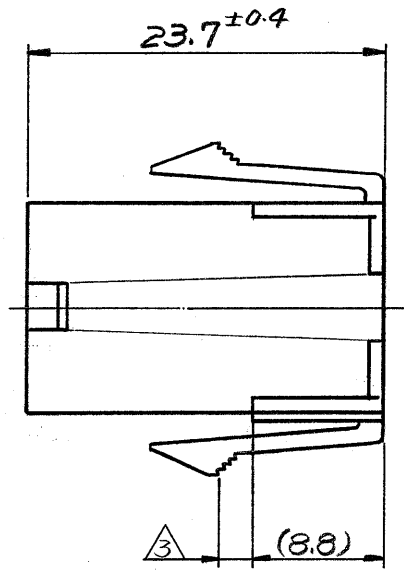
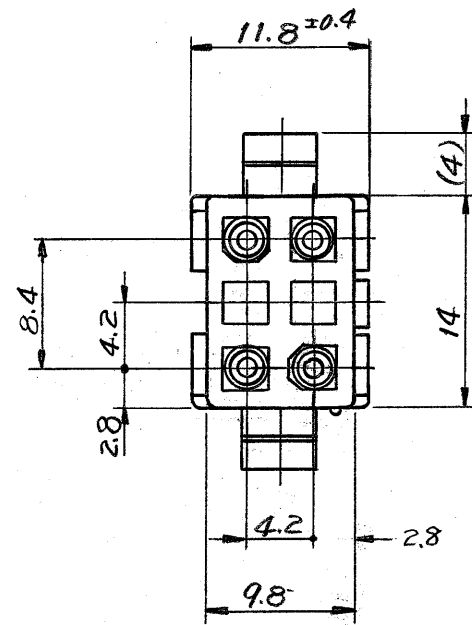
Contact us

Tel: +86-755-8981 8866 Fax: +86-755-8427 6832

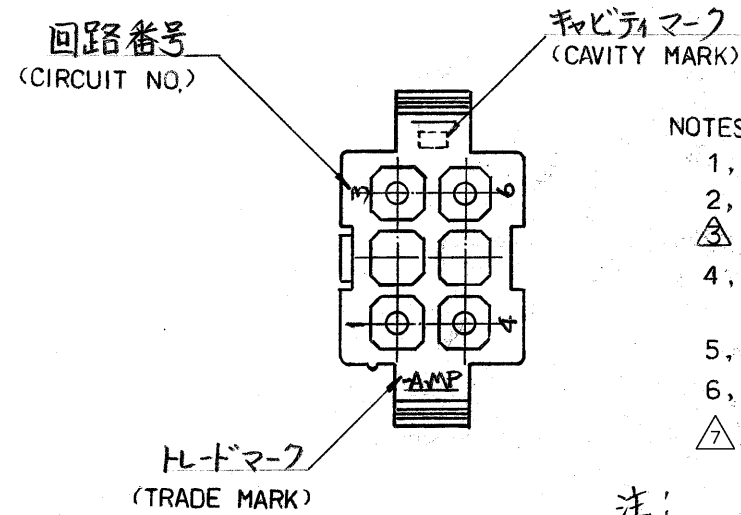
Email & Skype: info@chipsmall.com Web: www.chipsmall.com

Address: A1208, Overseas Decoration Building, #122 Zhenhua RD., Futian, Shenzhen, China





寸法公差は±0.20
(TOLERANCE: ±0.2)
パネル取付穴
(DIMENSION OF PANEL)



NOTES:

- 1, APPLIED CONTACT P/N: 170359, 170360, 170361, 170362
 - 2, MATING CONN: PLUG HOUSING P/N 172339
 - △ PANEL THICKNESS: 0.8 ~ 2.0 mm
 - 4, PRESS DIRECTION OF PANEL MUST BE SAME AS HOUSING INSERTED DIRECTION.
 - 5, INSTRUCTION SHEET: IS-105J
 - 6, PRODUCT SPEC: 108-5151
- △ OBSOLETE PARTS: OBSOLETE CIS STREAMLINING PER D.RENAUD/D.SINISI

注:

1. 使用端子型番は 170359, 170360, 170361, 170362
2. 嵌合相手ハウジング型番は 172339
- △ 適用パネル厚 0.8 ~ 20 mm
4. 取付穴打抜方向とハウジングの挿入方向は同じとする。
5. 取扱説明書: IS-105J
6. 適用製品仕様書: 108-5151

OBSOLETE	黄 (YELLOW)	1 - 172331 - 4
	黒 (BLACK)	1 - 172331 - 9
	青 (BLUE)	1 - 172331 - 6
	緑 (GREEN)	1 - 172331 - 5
	赤 (RED)	1 - 172331 - 2
	自然色 (NATURAL)	172331 - 1
	色 (COLOR)	型番 (P/N)

材料 (MATERIAL) 6/6 ナイロン (UL94V-2) (NYLON 6/6 UL94V-2)		一般公差 TOLERANCE ± 0.3 EXCEPT ± 1° AS NOTED		TE Connectivity	
仕上 (FINISH) 色: 表参照 HOUSING COLOR: SEE TABLE		DR. <i>R. Yuzasa 4/20/11</i> CHK. <i>J. Taniguchi</i> DE. <i>4/21/11</i> APP.		名称 (NAME) MINI-UNIVERSAL MATE-N-LOK CONN. CAP HOUSING 6Pos. (UL94V-2) 6極 ミニユニバーサル マイテンロック コネクター カップハウジング (UL94V-2)	
		SIZE B	LOC J	番号 (NO.) C-172331	
		尺度 (SCALE) 2:1		REV. A3	SHEET #

単位: 概 寸法は mm 単位で表示されません

PRINT DIST

A3	REVISED PER ECO-11-005030	RK	HMR	01APR11
LTR.	変更 (REVISION RECORD)	DR.	CHK.	DATE