



Chipsmall Limited consists of a professional team with an average of over 10 year of expertise in the distribution of electronic components. Based in Hongkong, we have already established firm and mutual-benefit business relationships with customers from,Europe,America and south Asia,supplying obsolete and hard-to-find components to meet their specific needs.

With the principle of “Quality Parts,Customers Priority,Honest Operation,and Considerate Service”,our business mainly focus on the distribution of electronic components. Line cards we deal with include Microchip,ALPS,ROHM,Xilinx,Pulse,ON,Everlight and Freescale. Main products comprise IC,Modules,Potentiometer,IC Socket,Relay,Connector.Our parts cover such applications as commercial,industrial, and automotives areas.

We are looking forward to setting up business relationship with you and hope to provide you with the best service and solution. Let us make a better world for our industry!



## Contact us

Tel: +86-755-8981 8866 Fax: +86-755-8427 6832

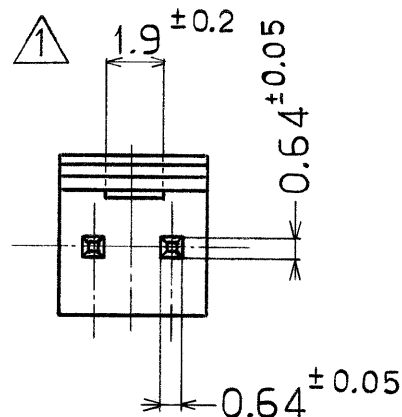
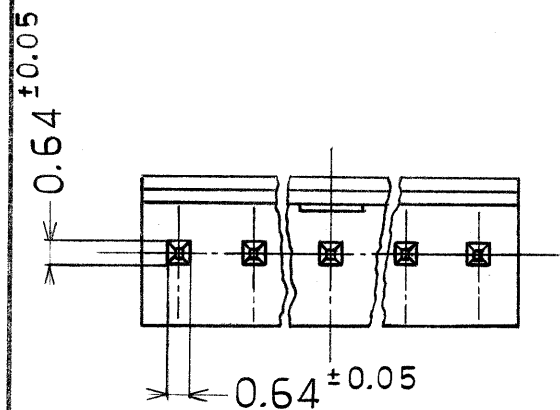
Email & Skype: info@chipsmall.com Web: www.chipsmall.com

Address: A1208, Overseas Decoration Building, #122 Zhenhua RD., Futian, Shenzhen, China



© 19 年日本エー・エム・ピー株式会社  
AMP社の諸製品は特許又は特許出願中

© 19 BY AMP (Japan) Ltd.  
ALL RIGHTS RESERVED. AMP  
PRODUCTS COVERED BY PATENTS  
AND/OR PATENTS PENDING

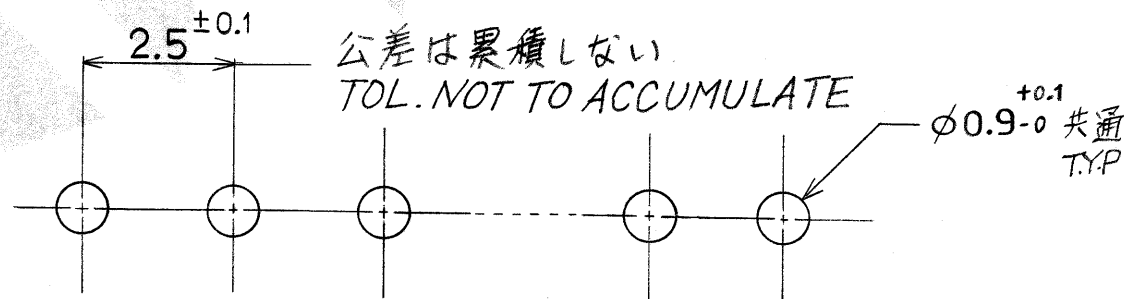
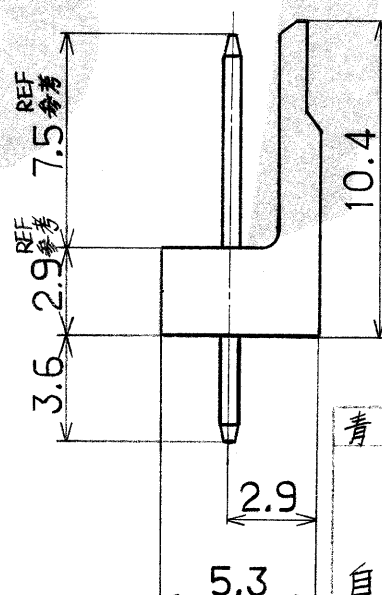
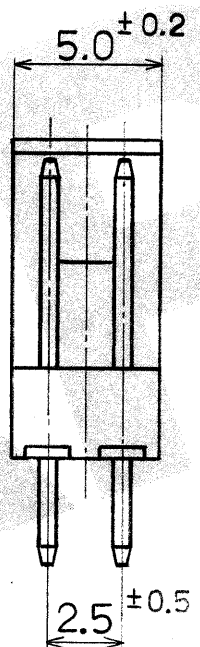
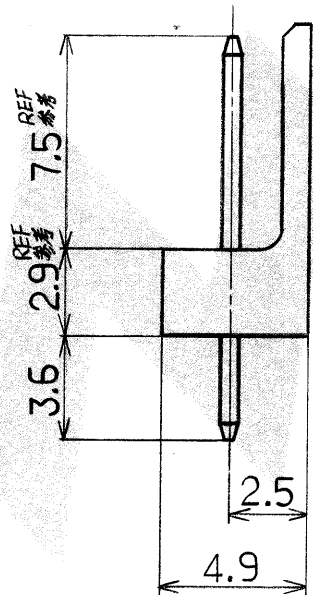
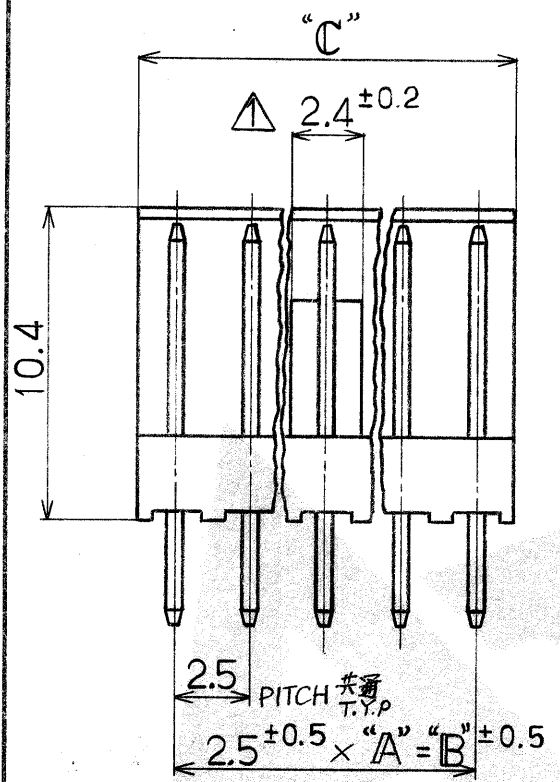


NOTES:

△ LOCKING HOLE IS PLACED ON THE CENTER OF POST HEADER

注:

△ ロッキング凹部位置は長手方向の中央



取付基板穴寸法 (基板厚 1.5t)  
RECOMMENDED BOARD LAYOUT (1.5THK)


青色 BLUE	++	++	++	2	4-173081-2
	30.0	27.5	11	12	1- -2
	25.0	22.5	9	10	1- -0
	22.5	20.0	8	9	-9
自然色	20.0	17.5	7	8	-8
	17.5	15.0	6	7	-7
	15.0	12.5	5	6	-6
NATURAL	12.5	10.0	4	5	-5
	10.0	7.5	3	4	-4
	7.5	5.0	2	3	-3
	++	++	++	2	173081-2
色別 HOUSING COLOR	"C"	"B"	"A"	極数 No OF POS	型番 PART NUMBER

3~9 極  
POS

2 極  
POS

単位: 此 DIMENSIONS IN MM. DO NOT SCALE. PRINT

A	REVISED PER ECN 785-8065	JJ	DO	3/20/85
0	RELEASED 784-7791	JJ	DO	10/14/84
LTR.	変更 (REVISION RECORD)	DR.	CHK.	DATE

材料 (MATERIAL) ヘッダー: 66 NYLON HEADER (UL 94V-0) ポスト: BRASS POST	一般公差 TOLERANCE ± 0.3 EXCEPT AS NOTED ±	 日本エー・エム・ピー株式会社 TOKYO, JAPAN 名称 (NAME) 金メッキ・ポスト・ヘッダー・アッセンブリ (垂直型) POST HEADER ASS'Y. (V) GOLD PLT (AMP EI SERIES CONNECTOR) SIZE LOC 番号 (NO.) B J C-173081 尺度 (SCALE) REV. SHEET 4-1 A 1/1
仕上 (FINISH) ニッケル下地 金メッキ GOLD PLT OVER NICKEL 色別 (COLOR) 表参照 SEE TABLE	DR. J. Tanigawa 10/4 '84 CHK. J. Tanigawa 10/14 '84 DE. APP. J. Tanigawa 10/14 '84	