



Chipsmall Limited consists of a professional team with an average of over 10 year of expertise in the distribution of electronic components. Based in Hongkong, we have already established firm and mutual-benefit business relationships with customers from,Europe,America and south Asia,supplying obsolete and hard-to-find components to meet their specific needs.

With the principle of "Quality Parts,Customers Priority,Honest Operation,and Considerate Service",our business mainly focus on the distribution of electronic components. Line cards we deal with include Microchip,ALPS,ROHM,Xilinx,Pulse,ON,Everlight and Freescale. Main products comprise IC,Modules,Potentiometer,IC Socket,Relay,Connector.Our parts cover such applications as commercial,industrial, and automotives areas.

We are looking forward to setting up business relationship with you and hope to provide you with the best service and solution. Let us make a better world for our industry!



Contact us

Tel: +86-755-8981 8866 Fax: +86-755-8427 6832

Email & Skype: info@chipsmall.com Web: www.chipsmall.com

Address: A1208, Overseas Decoration Building, #122 Zhenhua RD., Futian, Shenzhen, China



4

3

2

1

THIS DRAWING IS UNPUBLISHED.

RELEASED FOR PUBLICATION

AUG ,2006.

© COPYRIGHT - BY TYCO ELECTRONICS CORPORATION. ALL RIGHTS RESERVED.

LOC	DIST	REVISIONS					
		P	LTR	DESCRIPTION	DATE	DWN	APVD
DW	-	C		REVISED (ECR-09-005408)	05MAR09	BH	WK

PIN 2

PIN (2N)

PIN 1

PIN (2N-1)

8.95±0.15

8.80

2.54

6.6±0.2

DIM. A^{+0.25}/_{-0.15}

DIM. B^{+0.25}/_{-0.15}

DATE CODE

PIN 1 MARK

4.55

AMP LOGO

8.80

9.00

2.54±0.10 TYP.

0.64±0.05 TYP.

3.0 TYP.

DIM. C±0.15

POS. NO.

PIN 1

PIN (2N-1)

PIN 2

PIN (2N)

2.54

PIN 2

PIN (2N)

PIN 1

PIN (2N-1)

2.54 TYP.

Ø1.02 ±0.1 TYP.

2.54 TYP.

CONNECTOR OUTLINE

DIM. C

RECOMMENDED PCB LAYOUT
TOLERANCE: ±0.05

NOTES:

1. MATERIAL:

1.1 HOUSING: PA46, UL94V-0; COLOR: SEE TABLE.

1.2 CONTACTS: BRASS.

2. FINISH:

CONTACT: GOLD PLATED (SEE TABLE) OVER

1.27µm [50u"] MIN. NICKEL UNDERPLATING ALL OVER

3. RECOMMENDED PCB THICKNESS : 1.60mm

4. WAVE SOLDER CAPABLE TO 265°C PER TE TEST SPEC.

109-202, CONDITION B.

5. NET WEIGHT:

34P :4.05 GRAMS

40P :4.65 GRAMS

GOLD PLATING THICKNESS	LACK PIN#	HSG COLOR	DIM. C	DIM. B	DIM. A	PART NUMBER		POS. NO.
						2-	-6	
1.27 µm [15u"] MIN.	#3, #5	BLACK	40.64	50.80	48.60	2-	-6	34P
		BLACK				2-	-5	
	#5	NATURAL WHITE	48.26	58.42	56.02	2-	-4	40P
		BLUE (2945C)				1-	-6	
		BLACK				1-	-5	
		NATURAL WHITE				1-	-4	
GOLD FLASH	#3, #5	BLACK	40.64	50.80	48.60	2-	-3	34P
		BLACK				2-	-2	
	#5	NATURAL WHITE	48.26	58.42	56.02	2-	-1	40P
		BLUE (2945C)				1-	-3	
		BLACK				1-	-2	
		NATURAL WHITE				1-	-1	
#20	BLACK	48.26	58.42	56.02		-3	1734026-1	
	NATURAL WHITE					-2		

THIS DRAWING IS A CONTROLLED DOCUMENT.

DWN 05MAR2009

B. HSING

CHK 05MAR2009

S. CHIEN

APVD 05MAR2009

W. KODAMA

PRODUCT SPEC

108-57390

QUALIFICATION TEST REPORT

501-57422

WEIGHT

SEE NOTE

CUSTOMER DRAWING

Tyco Electronics Corporation
Taipei, Taiwan

Tyco Electronics

NAME

BOX HEADER 2.54 PITCH
VERTICAL, DIP, SERIES D

SIZE	CAGE CODE	DRAWING NO	RESTRICTED TO
A3	00779	C=1734026	-

SCALE	SHEET	REV
-	1 of 2	C

DIMENSIONS:

MM

TOLERANCES UNLESS OTHERWISE SPECIFIED:

0 PLC	± -
1 PLC	± 0.30
2 PLC	± 0.20
3 PLC	± 0.15
4 PLC	± -
ANGLES	± -

MATERIAL

SEE NOTE

FINISH

SEE NOTE

AMP 1470-19 REV 31MAR2000

THIS DRAWING IS UNPUBLISHED.

RELEASED FOR PUBLICATION

AUG ,2006.

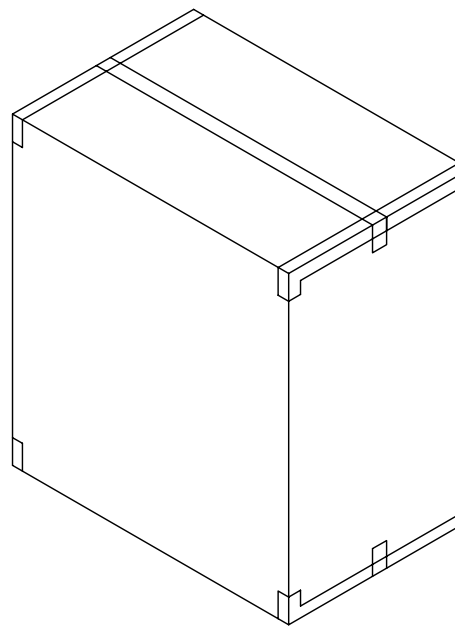
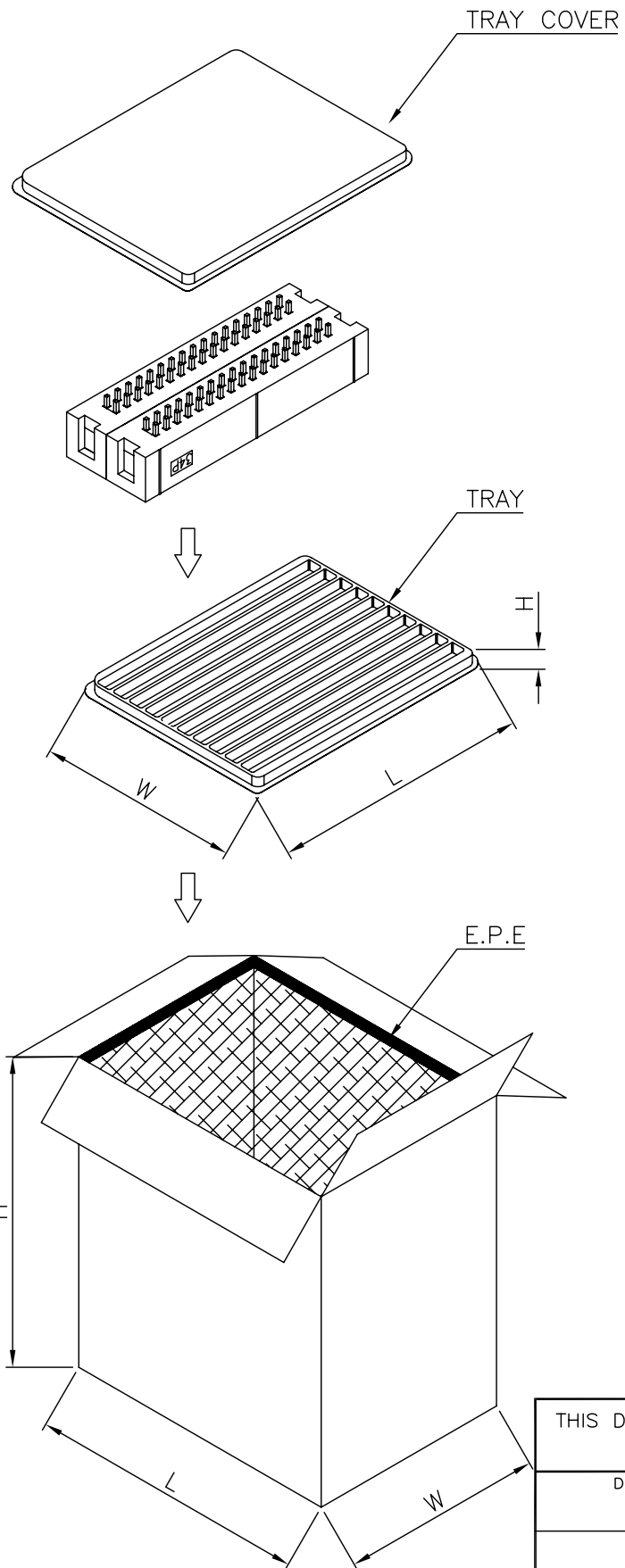
© COPYRIGHT BY TYCO ELECTRONICS CORPORATION. ALL RIGHTS RESERVED.

LOC DW

DIST

REVISIONS

P	LTR	DESCRIPTION	DATE	DWN	APVD
		SEE SHEET 1.			



- NOTES :
- MATERIAL:
 - TRAY: PVC
 - BOX: CORRUGATED FIBERBOARD
 - DIMENSION :
 - TRAY: L=34.5, W=27, H=2
 - BOX: L=390, W=310, H=400
 - QUANTITY : SEE TABLE
 - WEIGHT : SEE TABLE

13.50	11.65	2500	100	40P
14.0	12.15	3000	120	34P
G/W (kg)	N/W (kg)	QUANTITY	PCS/TRAY	POS. NO.

THIS DRAWING IS A CONTROLLED DOCUMENT.		DWN		Tyco Electronics Corporation Taipei, Taiwan	
DIMENSIONS: MM		CHK		NAME	
TOLERANCES UNLESS OTHERWISE SPECIFIED:		APVD		BOX HEADER 2.54 PITCH VERTICAL, DIP SERIES D	
0 PLC ± -		PRODUCT SPEC		SIZE	
1 PLC ± -		APPLICATION SPEC		CAGE CODE	
2 PLC ± -		WEIGHT		DRAWING NO	
3 PLC ± -		CUSTOMER DRAWING		RESTRICTED TO	
4 PLC ± -		SCALE		SHEET	
ANGLES ± -		—		2 OF 2	
MATERIAL		FINISH		REV	
—		—		C	

A3 00779 C-1734026