



Chipsmall Limited consists of a professional team with an average of over 10 year of expertise in the distribution of electronic components. Based in Hongkong, we have already established firm and mutual-benefit business relationships with customers from,Europe,America and south Asia,supplying obsolete and hard-to-find components to meet their specific needs.

With the principle of “Quality Parts,Customers Priority,Honest Operation,and Considerate Service”,our business mainly focus on the distribution of electronic components. Line cards we deal with include Microchip,ALPS,ROHM,Xilinx,Pulse,ON,Everlight and Freescale. Main products comprise IC,Modules,Potentiometer,IC Socket,Relay,Connector.Our parts cover such applications as commercial,industrial, and automotives areas.

We are looking forward to setting up business relationship with you and hope to provide you with the best service and solution. Let us make a better world for our industry!



Contact us

Tel: +86-755-8981 8866 Fax: +86-755-8427 6832

Email & Skype: info@chipsmall.com Web: www.chipsmall.com

Address: A1208, Overseas Decoration Building, #122 Zhenhua RD., Futian, Shenzhen, China

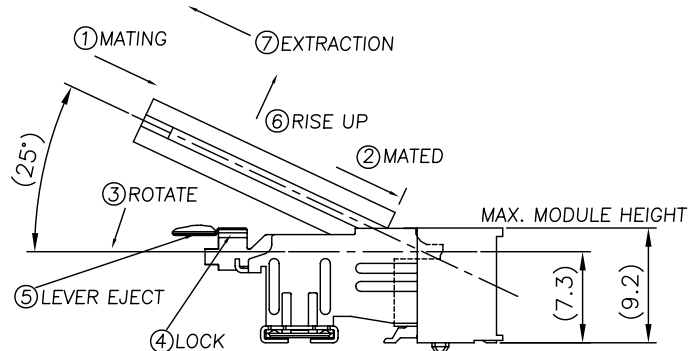
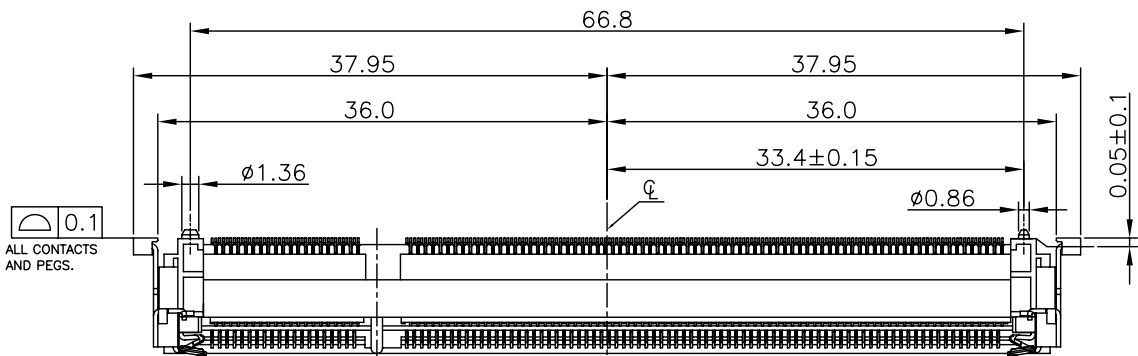


THIS DRAWING IS UNPUBLISHED. RELEASED FOR PUBLICATION AUG, 2006.
 © COPYRIGHT BY TYCO ELECTRONICS CORPORATION. ALL RIGHTS RESERVED.

LOC	DIST	REVISIONS				
P	LTR	DESCRIPTION	DATE	DWN	APVD	
DW	-	D2	ECR-09-007625, Correct general tolerance	03APR09	EL	WK

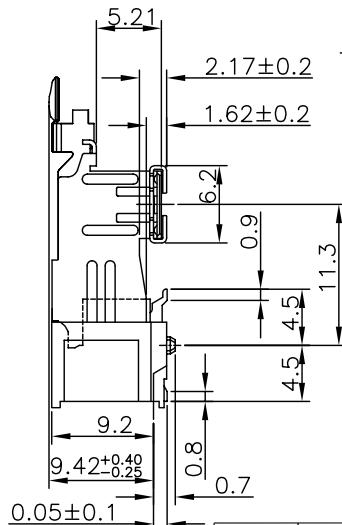
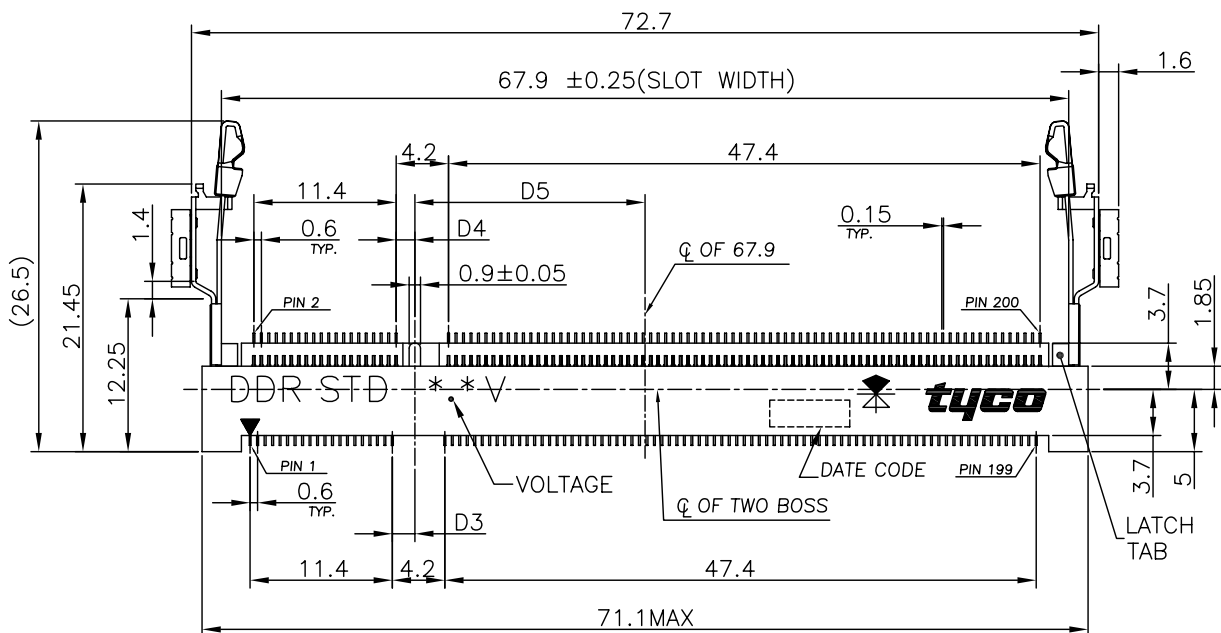
D

D



C

C



HOW TO MATE AND UNMATE

- MATE: ① → ④
 UNMATE: ⑤ → ⑦

B

B

NOTE:
 1.MATERIAL:
 HOUSING: THERMOPLASTIC(LCP), BLACK COLOR UL94V-0
 CONTACT: COPPER-ZINC-TIN.
 LATCH: STAINLESS STEEL
 SOLDER PEG: BRASS

2.FINISH:
 CONTACT:
 0.05μm[2μ"]MIN. GOLD PLATED OR
 0.76μm[30μ"]MIN. GOLD PLATED ON CONTACT AREA,
 0.38μm[15μ"]MIN. GOLD PLATED ON CONTACT AREA,
 0.05μm[2μ"]MIN. GOLD PLATED ON SOLDER TAIL,
 1.27μm[50μ"]MIN. NICKEL UNDERPLATING ALL OVER.
 SOLDER PEG:
 2.03μm[80μ"]MIN. BRIGHT TIN PLATED,
 1.27μm[50μ"]MIN. NICKEL UNDERPLATING ALL OVER.

3. REFLOW SOLDER CAPABLE TO 260°C PER TE SPEC. 109-201, CONDITION B.

STANDARD TYPE

WITHOUT	1.8	17.55	2.4	2.7	TAPE REEL	Δ2-1734073-5
					TAPE REEL	Δ2-1734073-3
					TAPE REEL	2-1734073-1
					HARD TRAY	1-1734073-1
					TAPE REEL	4-1734073-1
					HARD TRAY	3-1734073-1
LATCH TAB	VOLTAGE	D5	D4	D3	PACKAGE TYPE	PART NUMBER

A

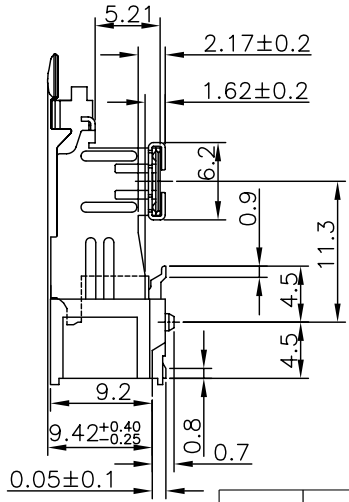
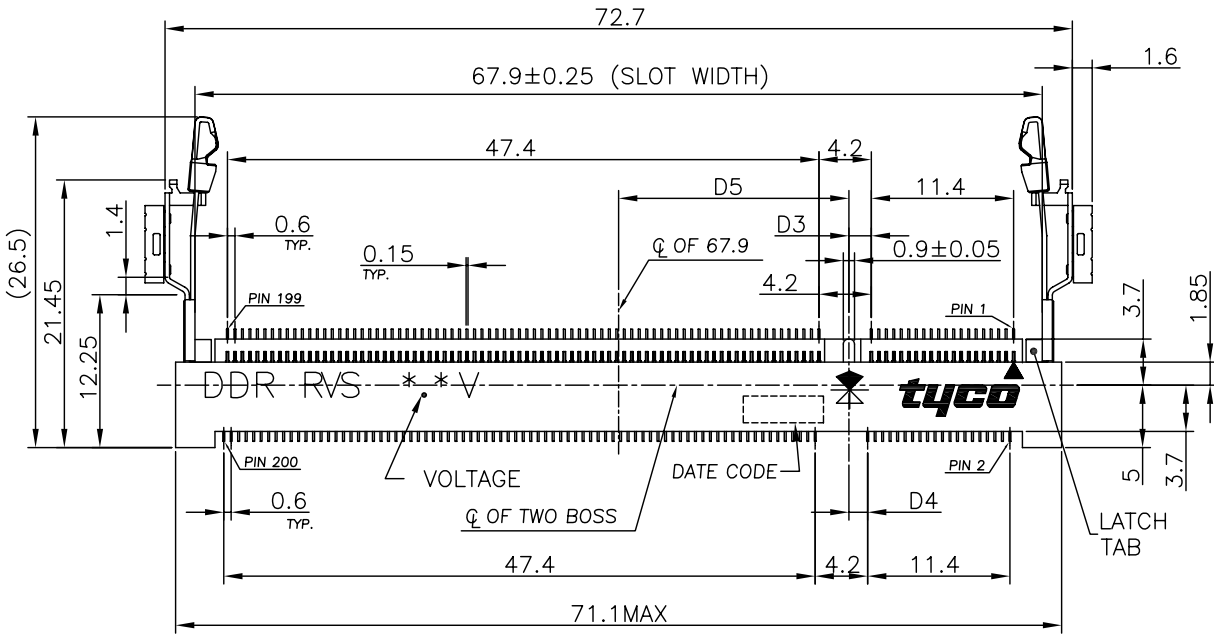
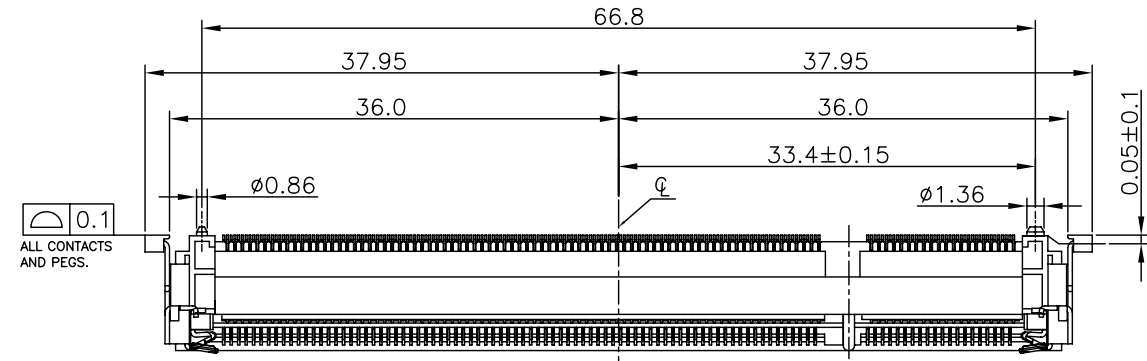
A

THIS DRAWING IS A CONTROLLED DOCUMENT.

DWN	S. HOU	06SEP2007	Tyco Electronics Corporation Taipei, Taiwan		
CHK	W.J. KE	06SEP2007	Tyco Electronics		
APVD	W.J. KE	06SEP2007	NAME		
PRODUCT SPEC	108-57382		DDR S.O. DIMM SOCKET, 200P, 9.2 HEIGHT, SMT.		
QUALIFICATION TEST REPORT	501-57415		SIZE	CAGE CODE	DRAWING NO
WEIGHT	5.2 GRAMS	A3	00779	G=1734073	RESTRICTED TO
CUSTOMER DRAWING	SCALE -			SHEET 1 OF 7	REV D2

THIS DRAWING IS UNPUBLISHED. RELEASED FOR PUBLICATION AUG, 2006.
 © COPYRIGHT BY TYCO ELECTRONICS CORPORATION. ALL RIGHTS RESERVED.

LOC	DIST	REVISIONS					
DW	-	P	LTR	DESCRIPTION	DATE	DWN	APVD
				SEE SHEET 1			



REVERSE TYPE

WITHOUT	1.8	17.55	2.4	2.7	TAPE REEL	A2-1734073-6
					TAPE REEL	A2-1734073-4
					TAPE REEL	2-1734073-2
					HARD TRAY	1-1734073-2
WITH	2.5	18.45	1.5	1.8	TAPE REEL	4-1734073-2
					HARD TRAY	3-1734073-2
LATCH TAB	VOLTAGE	D5	D4	D3	PACKAGE TYPE	PART NUMBER

THIS DRAWING IS A CONTROLLED DOCUMENT.

DWN	S. HOU	06SEP2007	Tyco Electronics Corporation Tyco Electronics Corporation Taipei, Taiwan			
CHK	W.J. KE	06SEP2007	NAME			
APVD	W.J. KE	06SEP2007	PRODUCT SPEC			
QUALIFICATION TEST REPORT			-			
MATERIAL	SEE NOTE	FINISH	WEIGHT		CUSTOMER DRAWING	
DIMENSIONS: MM		TOLERANCES UNLESS OTHERWISE SPECIFIED:		SIZE		CAGE CODE
		0 PLC ± - 1 PLC ± 0.3 2 PLC ± 0.25 3 PLC ± 0.13 4 PLC ± - ANGLES ± 3°		A3		00779
MATERIAL		FINISH		DRAWING NO		RESTRICTED TO
SEE NOTE		SEE NOTE		G=1734073		-
SCALE				SHEET		REV
-				2 OF 7		D2

4

3

2

1

THIS DRAWING IS UNPUBLISHED.

RELEASED FOR PUBLICATION

AUG ,2006.

© COPYRIGHT BY TYCO ELECTRONICS CORPORATION.

ALL RIGHTS RESERVED.

LOC

DIST

REVISIONS

P

LTR

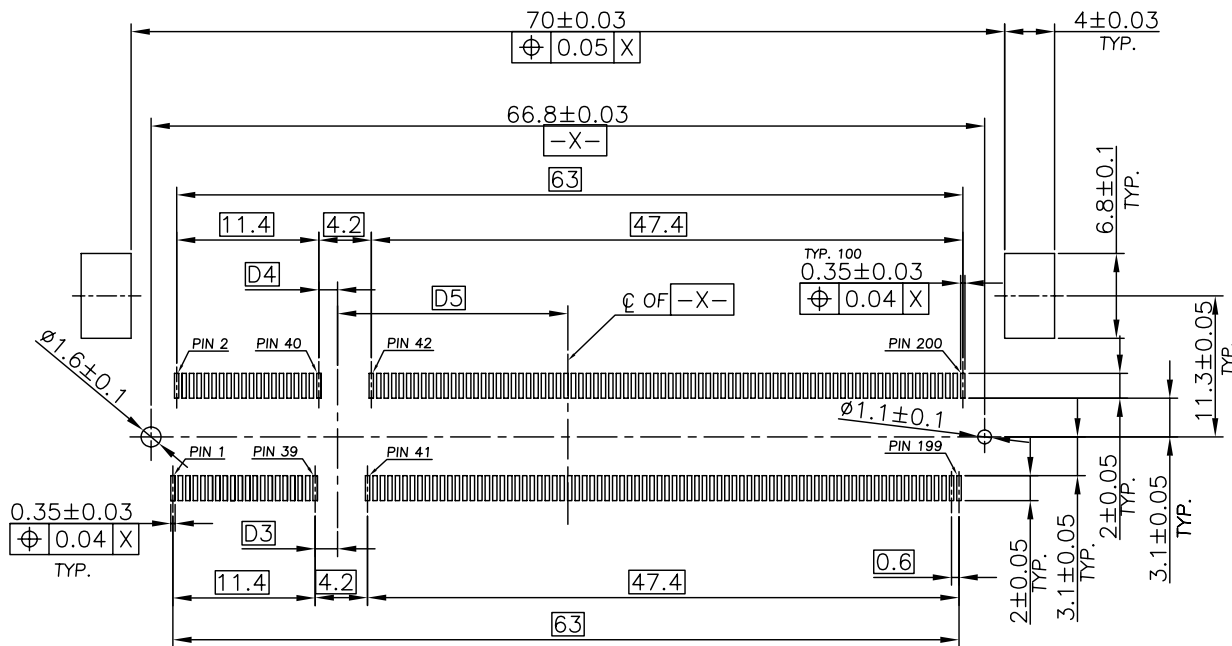
DESCRIPTION

DATE

DWN

APVD

SEE SHEET 1



RECOMMENDED PCB LAYOUT
CONNECTOR MOUNTING SIDE

STANDARD TYPE

18.45	1.5	1.8	2.5V
17.55	2.4	2.7	1.8V
D5	D4	D3	PWR. SUP.

THIS DRAWING IS A CONTROLLED DOCUMENT.		DWN S. HOU 06SEP2007	Tyco Electronics Corporation Taipei, Taiwan	
DIMENSIONS: MM		CHK W.J. KE 06SEP2007	NAME	
TOLERANCES UNLESS OTHERWISE SPECIFIED:		APVD W.J. KE 06SEP2007	DDR S.O. DIMM SOCKET, 200P, 9.2 HEIGHT, SMT.	
0 PLC ± -		PRODUCT SPEC	QUALIFICATION TEST REPORT	
1 PLC ± 0.3		-		
2 PLC ± 0.25		WEIGHT		
3 PLC ± 0.13		-		
4 PLC ± -		CUSTOMER DRAWING		
ANGLES ± 3'		SCALE - SHEET 3 OF 7 REV D2		
MATERIAL SEE NOTE		FINISH SEE NOTE		SIZE A3
		CAGE CODE 00779		DRAWING NO G=1734073
		RESTRICTED TO		-

THIS DRAWING IS UNPUBLISHED.

RELEASED FOR PUBLICATION

AUG, 2006.

COPYRIGHT BY TYCO ELECTRONICS CORPORATION.

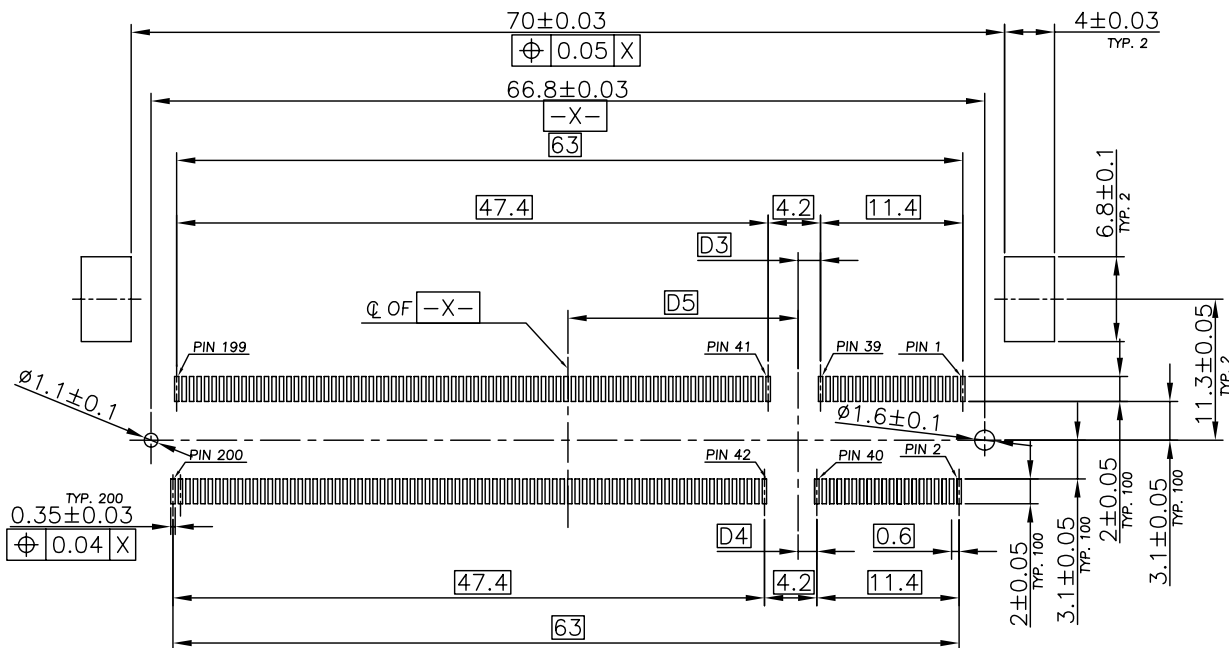
ALL RIGHTS RESERVED.

LOC DW

DIST -

REVISIONS

P	LTR	DESCRIPTION	DATE	DWN	APVD
		SEE SHEET 1			



RECOMMENDED PCB LAYOUT
CONNECTOR MOUNTING SIDE

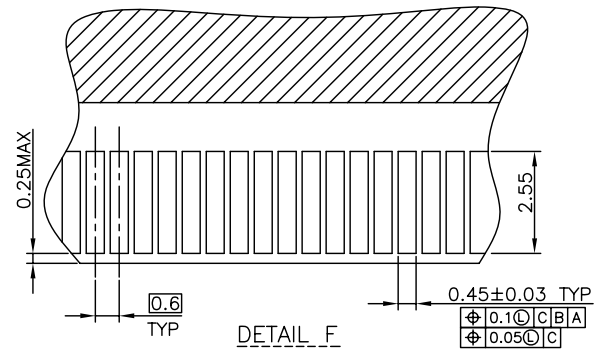
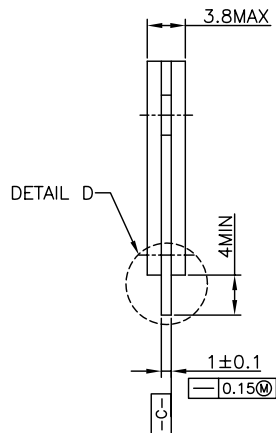
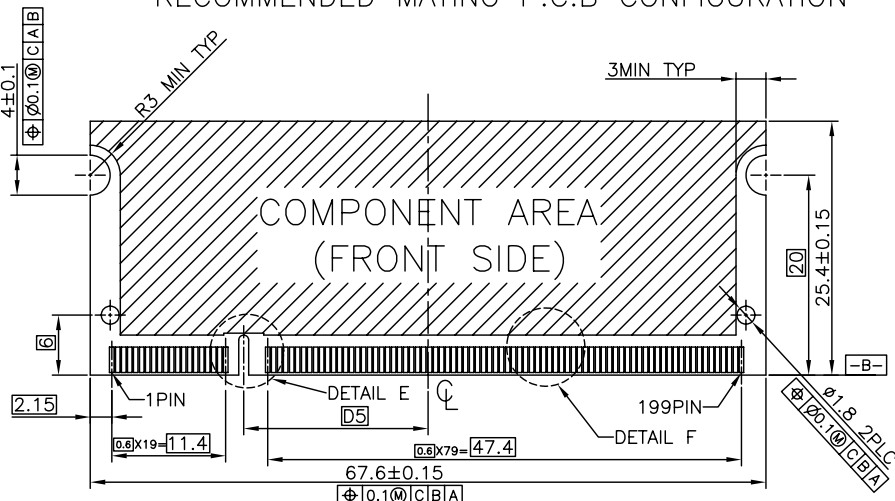
REVERSE TYPE

18.45	1.5	1.8	2.5V
17.55	2.4	2.7	1.8V
D5	D4	D3	PWR. SUP.

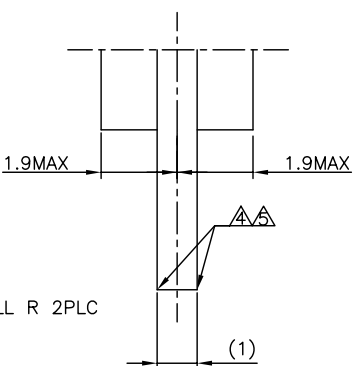
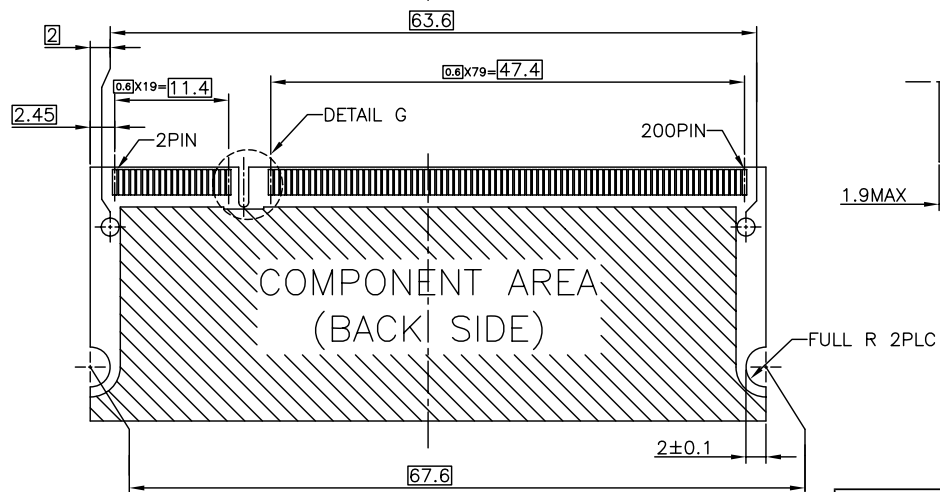
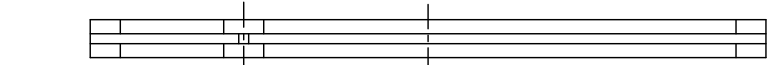
THIS DRAWING IS A CONTROLLED DOCUMENT.		DWN S. HOU 06SEP2007	Tyco Electronics Corporation Tapei, Taiwan				
DIMENSIONS: MM		CHK W.J. KE 06SEP2007	NAME DDR S.O. DIMM SOCKET, 200P, 9.2 HEIGHT, SMT.				
TOLERANCES UNLESS OTHERWISE SPECIFIED:		APVD W.J. KE 06SEP2007					
<ul style="list-style-type: none"> 0 PLC ± - 1 PLC ± 0.3 2 PLC ± 0.25 3 PLC ± 0.13 4 PLC ± - ANGLES ± 3' 		PRODUCT SPEC	QUALIFICATION TEST REPORT				
MATERIAL SEE NOTE		FINISH SEE NOTE	WEIGHT -	SIZE A3	CAGE CODE 00779	DRAWING NO C=1734073	RESTRICTED TO -
CUSTOMER DRAWING			SCALE -	SHEET 4 OF 7	REV D2		

LOC	DIST	REVISIONS			
P	LTR	DESCRIPTION	DATE	DWN	APVD
DW	-	SEE SHEET 1			

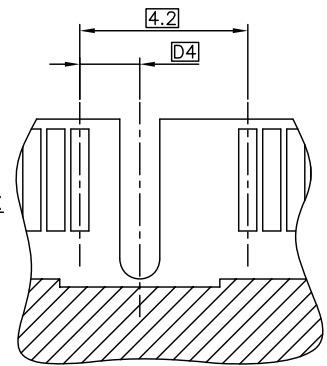
RECOMMENDED MATING P.C.B CONFIGURATION



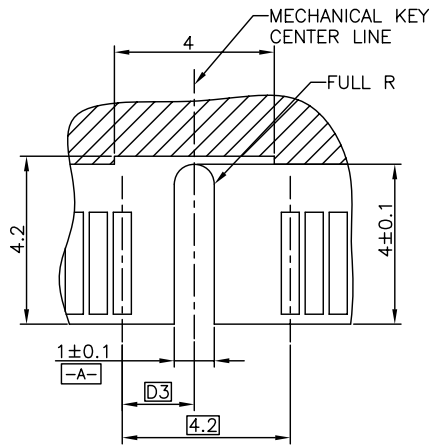
DETAIL F SCALE 4:1



DETAIL D SCALE 4:1



DETAIL G SCALE 4:1 (BACK SIDE)



DETAIL E SCALE 4:1 (FRONT SIDE)

- NOTE:
 (APPLIED TO SHEET 3)
 1. TOLERANCES ON ALL DIMENSIONS ±0.15 UNLESS OTHERWISE SPECIFIED.
 2. P.C.BOARD THICKNESS APPLIES ACROSS TABS AND INCLUDES PLATING AND/OR MENTAIZATION.
 3. FINISH OF PAD:GOLD PLATING 0.00076MIN OVER ON PLATING 0.002MIN.
 ⚠ NO BURR
 ⚠ CHAMFER 0.25MAX X45° IF EXIST.

THIS DRAWING IS A CONTROLLED DOCUMENT.		DWN S. HOU 06SEP2007	Tyco Electronics Corporation Taipei, Taiwan	
DIMENSIONS: MM		CHK W.J. KE 06SEP2007	NAME	
TOLERANCES UNLESS OTHERWISE SPECIFIED:		APVD W.J. KE 06SEP2007	PRODUCT SPEC	
0 PLC ± -		QUALIFICATION TEST REPORT		
1 PLC ± 0.3		WEIGHT		
2 PLC ± 0.25		CUSTOMER DRAWING		
3 PLC ± 0.13		SCALE		
4 PLC ANGLES ± 3°		SHEET		
MATERIAL SEE NOTE		FINISH SEE NOTE		
		SIZE A3		
		CAGE CODE 00779		
		DRAWING NO C=1734073		
		RESTRICTED TO		
		5 OF 7		
		REV D2		

4

3

2

1

THIS DRAWING IS UNPUBLISHED.

RELEASED FOR PUBLICATION

AUG ,2006.

© COPYRIGHT BY TYCO ELECTRONICS CORPORATION.

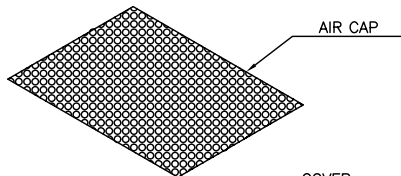
ALL RIGHTS RESERVED.

LOC DW

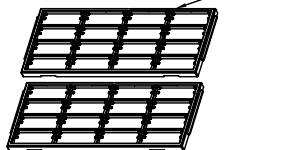
DIST -

REVISIONS

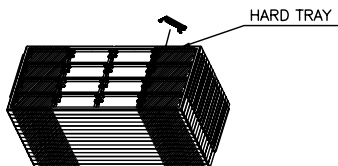
P	LTR	DESCRIPTION	DATE	DWN	APVD
		SEE SHEET 1			



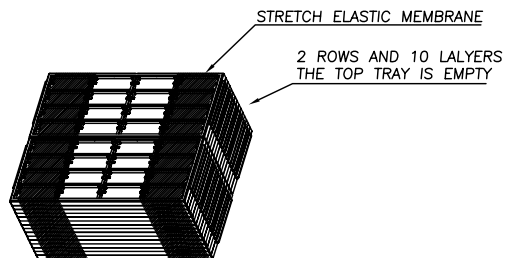
AIR CAP



COVER

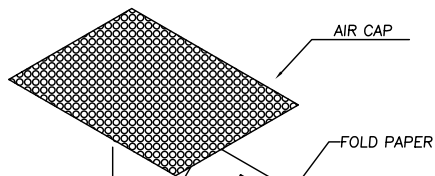


HARD TRAY



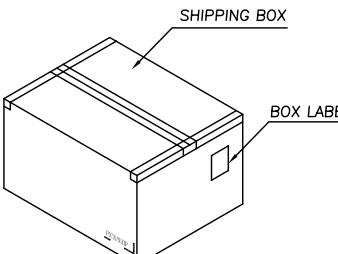
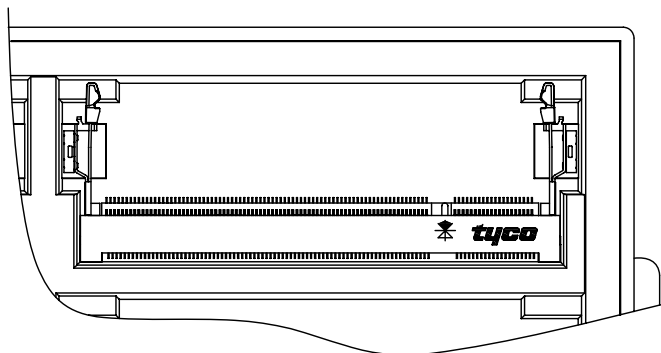
STRETCH ELASTIC MEMBRANE

2 ROWS AND 10 LALYERS THE TOP TRAY IS EMPTY



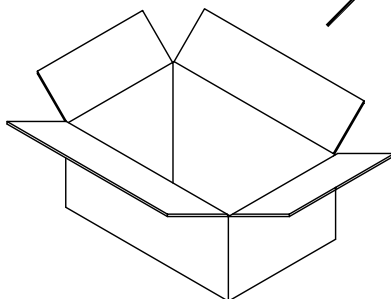
AIR CAP

FOLD PAPER



SHIPPING BOX

BOX LABEL



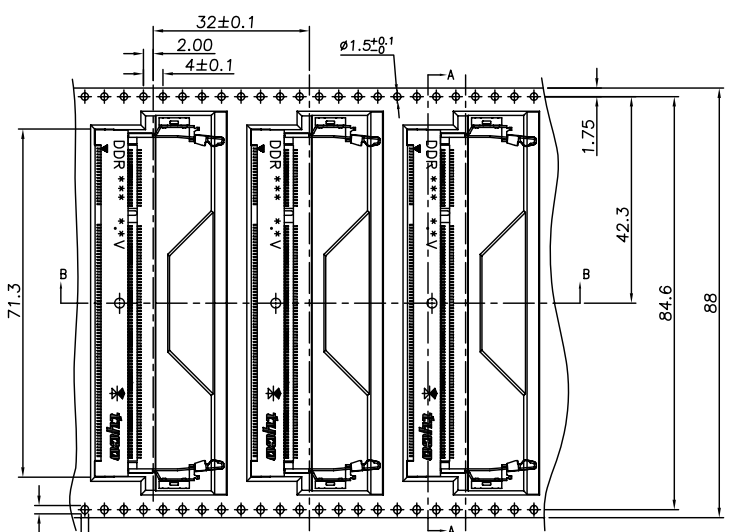
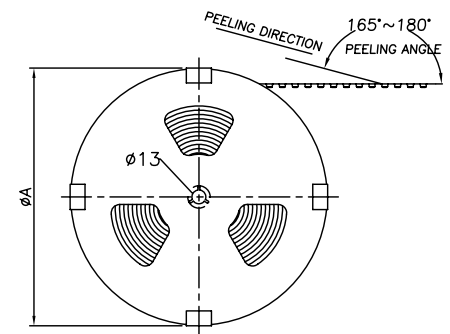
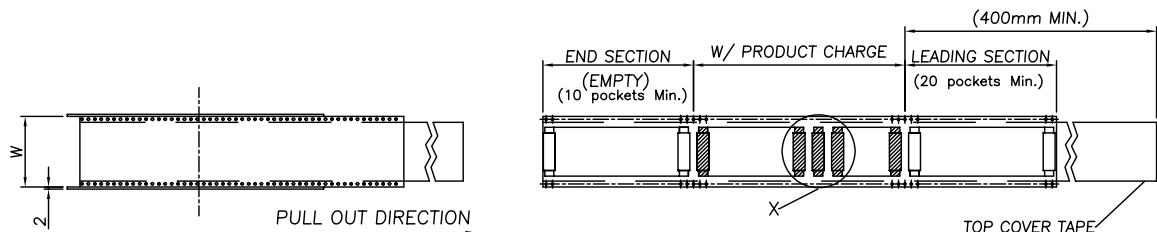
NOTES :

- 1. MATERIAL:
 - 1.1 TRAY: ABS, BLACK COLOR
 - 1.2 SHIPPING BOX: CORRUGATED FIBERBOARD
- 2. DIMENSION:
 - 2.1 TRAY: L=338.95, W=139, H=16.9
 - 2.1 SHIPPING BOX: L=360, W=300, H=195
- 3. QUANTITY:
 - 3.1 PRIMARY PACKING: 16 PCS/TRAY
 - 3.2 SECONDARY PACKING: 20 TRAY/BOX(320PCS)
- 4. WEIGHT:
 - 4.1 NET WEIGHT: 1.664Kg
 - 4.2 GROSS WEIGHT: 8.0Kg

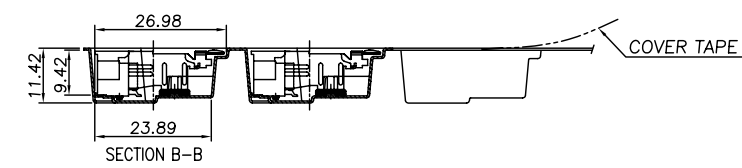
THIS DRAWING IS A CONTROLLED DOCUMENT.		DWN S. HOU	06SEP2007	Tyco Electronics Corporation Tapei, Taiwan													
DIMENSIONS: MM		CHK W.J. KE	06SEP2007	NAME													
TOLERANCES UNLESS OTHERWISE SPECIFIED:		APVD W.J. KE	06SEP2007	PRODUCT SPEC													
<table border="0"> <tr><td>0 PLC</td><td>± -</td></tr> <tr><td>1 PLC</td><td>± -</td></tr> <tr><td>2 PLC</td><td>± -</td></tr> <tr><td>3 PLC</td><td>± -</td></tr> <tr><td>4 PLC</td><td>± -</td></tr> <tr><td>ANGLES</td><td>± -</td></tr> </table>		0 PLC	± -	1 PLC	± -	2 PLC	± -	3 PLC	± -	4 PLC	± -	ANGLES	± -	QUALIFICATION TEST REPORT		DDR S.O. DIMM SOCKET, 200P, 9.2 HEIGHT, SMT.	
0 PLC	± -																
1 PLC	± -																
2 PLC	± -																
3 PLC	± -																
4 PLC	± -																
ANGLES	± -																
MATERIAL SEE NOTE		WEIGHT -		SIZE A3	CAGE CODE 00779												
FINISH SEE NOTE		CUSTOMER DRAWING		DRAWING NO C=1734073	RESTRICTED TO -												
				SCALE -	SHEET 6 OF 7												
				REV D2													

THIS DRAWING IS UNPUBLISHED. RELEASED FOR PUBLICATION AUG, 2006.
 © COPYRIGHT BY TYCO ELECTRONICS CORPORATION. ALL RIGHTS RESERVED.

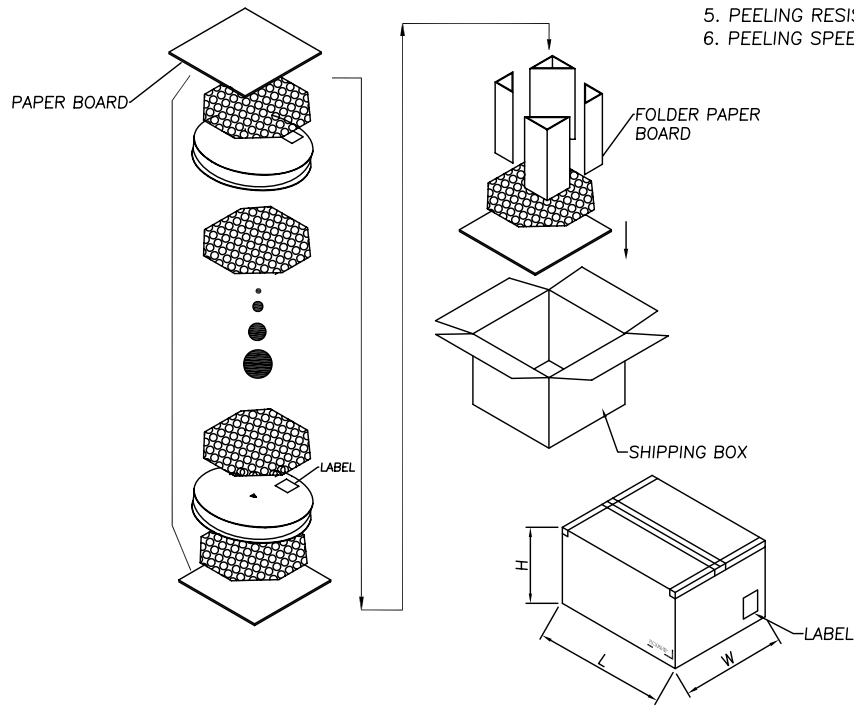
LOC	DIST	REVISIONS			
P	LTR	DESCRIPTION	DATE	DWN	APVD
DW	—	SEE SHEET 1			



DETAIL X



SECTION A-A



- NOTES:
- MATERIAL :
 - EMBOSSSED CARRIER: PS
 - COVER TAPE: PS
 - SHIPPING BOX: CORRUGATED FIBER
 - DIMENSION :
 - REEL: W=89.4, φA=330
 - SHIPPING BOX: L=335, W=335, H=248
 - QUANTITY :
 - PRIMARY PACKING: 150PCS/REEL
 - SECONDARY PACKING: 2 REELS/BOX(300PCS)
 - WEIGHT :
 - NET WEIGHTH: 0.78Kg/REEL, 1.56Kg/BOX.
 - GROSS WEIGHTH: 1.2Kg/REEL, 5.0Kg/BOX.
 - PEELING RESISTANCE: 0.1~0.7N(10.2gf~71.4gf).
 - PEELING SPEED: 300mm/minutes.

THIS DRAWING IS A CONTROLLED DOCUMENT.		DWN S. HOU	06SEP2007	Tyco Electronics Corporation Taipei, Taiwan	
DIMENSIONS: MM		CHK W.J. KE	06SEP2007	NAME DDR S.O. DIMM SOCKET, 200P, 9.2 HEIGHT, SMT.	
TOLERANCES UNLESS OTHERWISE SPECIFIED:		APVD W.J. KE	06SEP2007	SIZE A3	CAGE CODE 00779
0 PLC ± -		PRODUCT SPEC	—	DRAWING NO G=1734073	RESTRICTED TO —
1 PLC ± 0.3		QUALIFICATION TEST REPORT	—	SCALE — SHEET 7 OF 7 REV D2	
2 PLC ± 0.25		WEIGHT	—		
3 PLC ± 0.13		CUSTOMER DRAWING			
4 PLC ± -					
4 PLG ANGLES ± 3'					
MATERIAL SEE NOTE	FINISH SEE NOTE				