



Chipsmall Limited consists of a professional team with an average of over 10 year of expertise in the distribution of electronic components. Based in Hongkong, we have already established firm and mutual-benefit business relationships with customers from,Europe,America and south Asia,supplying obsolete and hard-to-find components to meet their specific needs.

With the principle of “Quality Parts,Customers Priority,Honest Operation,and Considerate Service”,our business mainly focus on the distribution of electronic components. Line cards we deal with include Microchip,ALPS,ROHM,Xilinx,Pulse,ON,Everlight and Freescale. Main products comprise IC,Modules,Potentiometer,IC Socket,Relay,Connector.Our parts cover such applications as commercial,industrial, and automotives areas.

We are looking forward to setting up business relationship with you and hope to provide you with the best service and solution. Let us make a better world for our industry!



Contact us

Tel: +86-755-8981 8866 Fax: +86-755-8427 6832

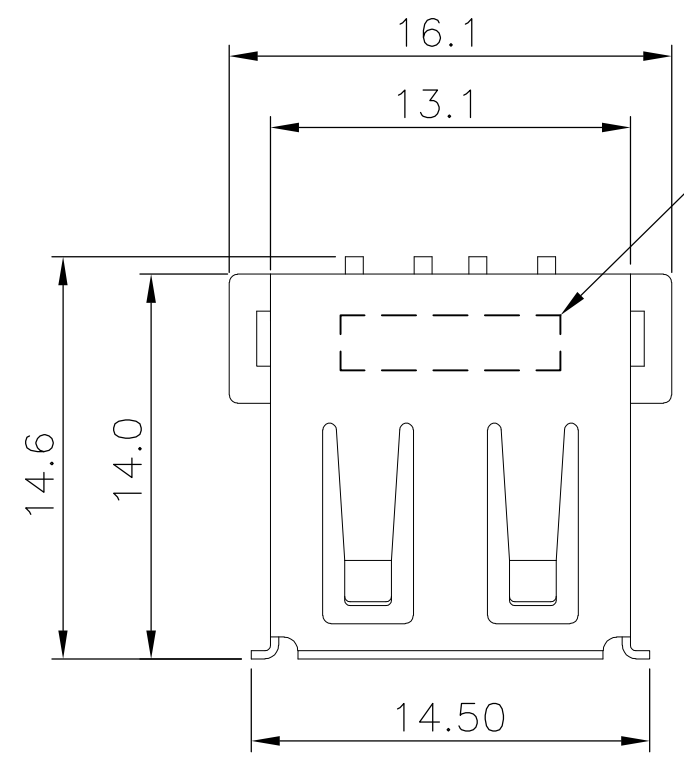
Email & Skype: info@chipsmall.com Web: www.chipsmall.com

Address: A1208, Overseas Decoration Building, #122 Zhenhua RD., Futian, Shenzhen, China



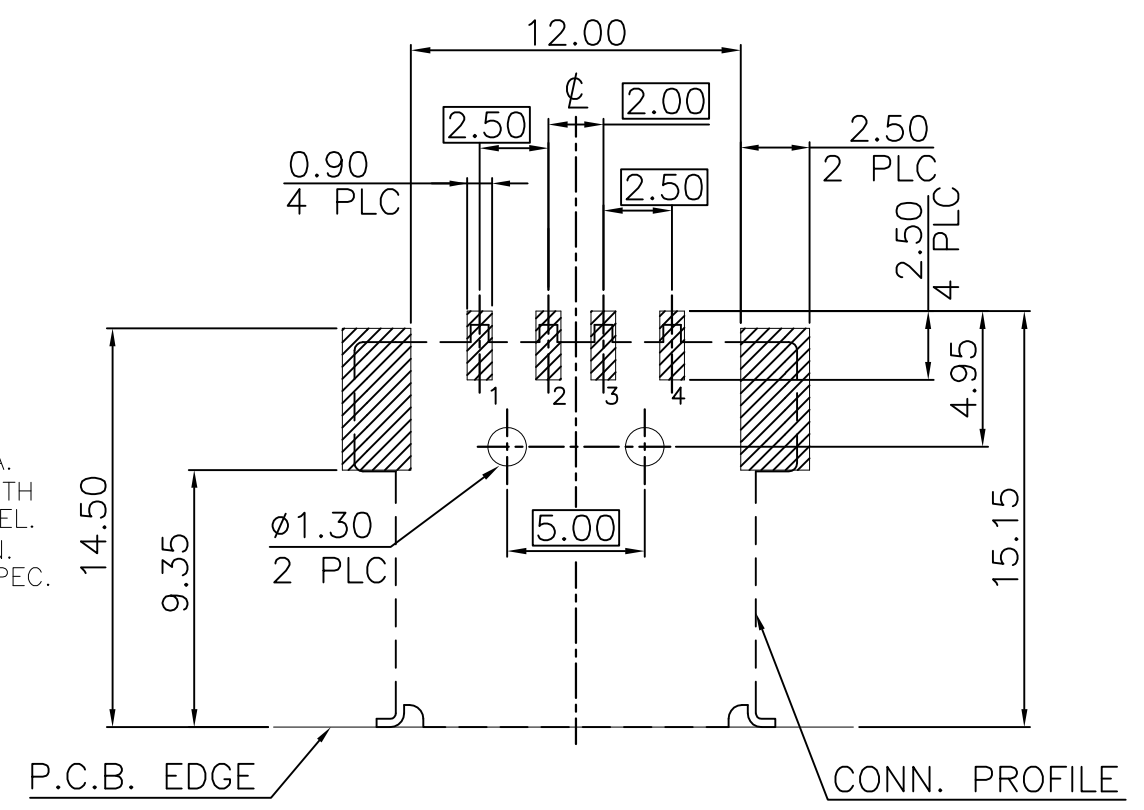
THIS DRAWING IS UNPUBLISHED. RELEASED FOR PUBLICATION
 © COPYRIGHT - BY - ALL RIGHTS RESERVED.

LOC	DIST	REVISIONS					
DW		P	LTR	DESCRIPTION	DATE	DWN	APVD
		B1		REVISED PER ECO-11-005301	11APR11	RK	HMR

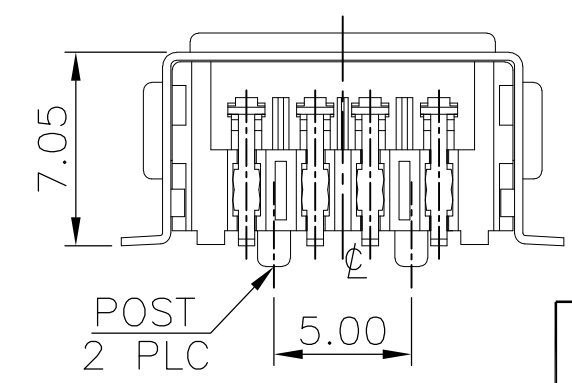
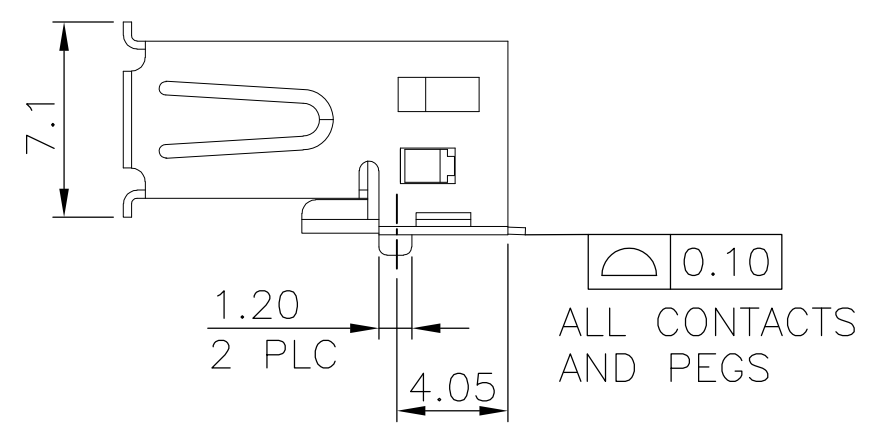
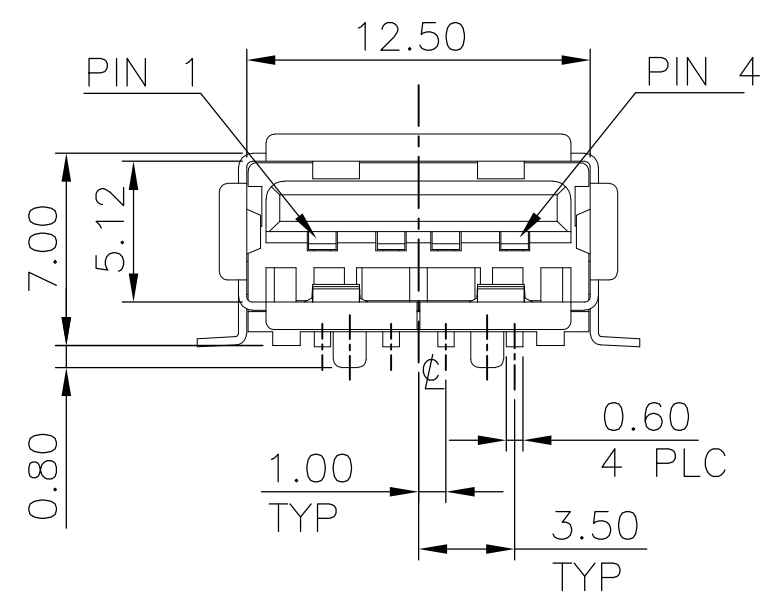


LOGO &
DATE CODE

- NOTES:
- MATERIAL:
HOUSING: THERMOPLASTIC WITH 30% GF, UL 94V-0, COLOR: (SEE TABLE).
CONTACTS: PHOSPHOR BRONZE, THICKNESS=0.25mm..
SHIELD: BRASS, THICKNESS=0.30mm.
 - FINISH:
CONTACT: 0.762µm [30µ"] MIN. GOLD PLATED ON CONTACT AREA.
3.048µm [120µ"] MIN. BRIGHT-TIN ON SOLDER TAIL, WITH ENTIRE CONTACT UNDERPLATED 1.27µm [50µ"] MIN. NICKEL.
SHIELD: 0.762µm [30µ"] MIN. NICKEL OVER 0.762µm [30µ"] MIN.
 - REFLOW SOLDER CAPABLE TO 260°C PER TE CONNECTIVITY TEST SPEC. 109-201, CONDITION B.



RECOMMENDED P.C.B. LAYOUT (THICKNESS=1.6mm)
(TOP VIEW) TOLERANCES: ±0.05



w/	BLACK	1-1734082-2
	WHITE	1-1734082-1
w/o	BLACK	1734082-2
	WHITE	1734082-1
POST	COLOR	PART NUMBER

THIS DRAWING IS A CONTROLLED DOCUMENT.		DWN	O. HU	200CT2005	STE TE Connectivity		
DIMENSIONS: MM		CHK	S. HSU	200CT2005			
TOLERANCES UNLESS OTHERWISE SPECIFIED:		APVD	W.J. KE	200CT2005	NAME		
0 PLC	± -	PRODUCT SPEC		108-57505			
1 PLC	± 0.35	APPLICATION SPEC		501-57579			
2 PLC	± 0.25	SIZE	A3	CAGE CODE	00779	DRAWING NO	C=1734082
3 PLC	± 0.15	WEIGHT	1.82 GRAMS	RESTRICTED TO		-	
4 PLC	± -	CUSTOMER DRAWING		SCALE	-	SHEET	1 OF 4
ANGLES	± 3°	MATERIAL SEE NOTE		FINISH SEE NOTE		REV B1	

4

3

2

1

THIS DRAWING IS UNPUBLISHED.

RELEASED FOR PUBLICATION

ALL RIGHTS RESERVED.

© COPYRIGHT - BY -

LOC
DW

DIST

REVISIONS

P	LTR	DESCRIPTION	DATE	DWN	APVD
		SEE SHEET 1.			

LOGO &
DATE CODE

NOTES:

1. MATERIAL:

HOUSING: THERMOPLASTIC WITH 30% GF, UL 94V-0, COLOR: BLACK.
CONTACTS: PHOSPHOR BRONZE, THICKNESS=0.25mm.
SHIELD: BRASS, THICKNESS=0.30mm.

2. FINISH:

CONTACT: 0.762μm [30μ"] MIN. GOLD PLATED ON CONTACT AREA.
3.048μm [120μ"] MIN. BRIGHT-TIN ON SOLDER TAIL, WITH
ENTIRE CONTACT UNDERPLATED 1.27μm [50μ"] MIN. NICKEL.

SHIELD: 0.762μm [30μ"] MIN. NICKEL OVER 0.762μm [30μ"] MIN.

3. REFLOW SOLDER CAPABLE TO 260°C PER TE CONNECTIVITY TEST SPEC.
109-201, CONDITION B.

RECOMMEND P.C.B LAYOUT (THICKNESS=1.6mm)
(COMPONENT SIDE) TOLERANCE ±0.05

2-1734082-1

PART NUMBER

THIS DRAWING IS A CONTROLLED DOCUMENT.

DIMENSIONS:
MM

TOLERANCES UNLESS
OTHERWISE SPECIFIED:

0 PLC	± -
1 PLC	± 0.35
2 PLC	± 0.25
3 PLC	± 0.15
4 PLC	± -
ANGLES	± 3°

MATERIAL

SEE NOTE

FINISH

SEE NOTE

DWN

CHK

APVD

PRODUCT SPEC

APPLICATION SPEC

WEIGHT

CUSTOMER DRAWING

TE Connectivity

NAME

USB CON, RCPT, ASS'Y, R/A SMT, A TYPE

SIZE

CAGE CODE

DRAWING NO

RESTRICTED TO

A3

00779

C=1734082

SCALE

SHEET

2 OF 4

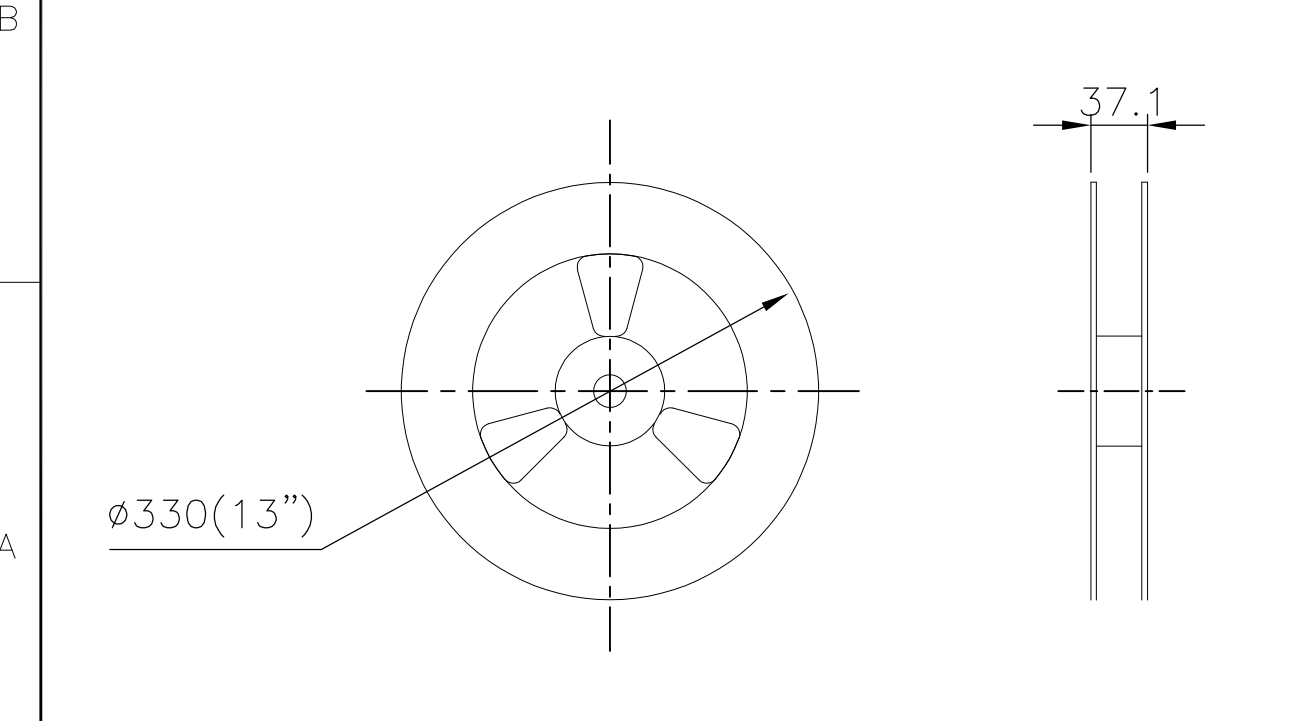
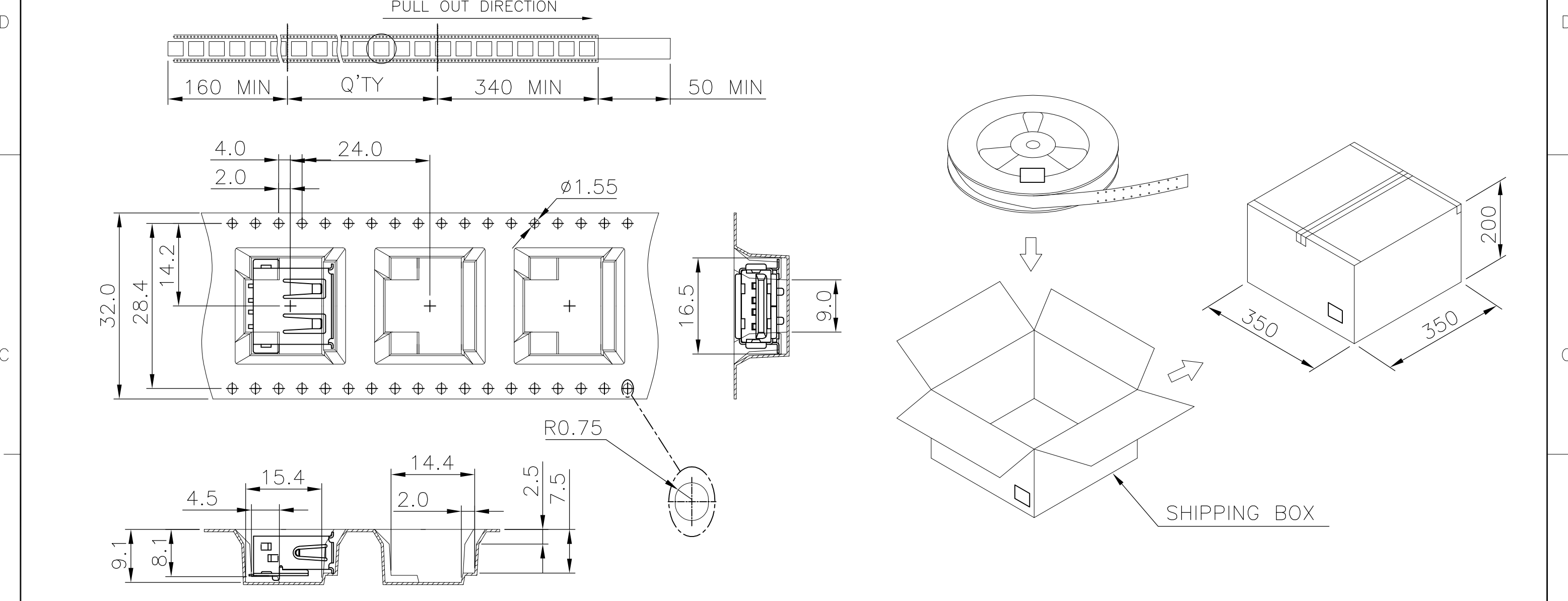
REV

B1

1470-19 (3/11)

THIS DRAWING IS UNPUBLISHED. RELEASED FOR PUBLICATION
 © COPYRIGHT - BY - ALL RIGHTS RESERVED.

LOC	DIST	REVISIONS				
P	LTR	DESCRIPTION	DATE	DWN	APVD	
		SEE SHEET 1.				



300	5	1500	5.36	2.73	1-1734082-2
					1-1734082-1
					1734082-2
					1734082-1
PCS/REEL	REELS/BOX	QUANTITY (PCS)	G/W (Kg)	N/W (Kg)	PART NUMBER

THIS DRAWING IS A CONTROLLED DOCUMENT.

DWN
CHK
APVD
PRODUCT SPEC
APPLICATION SPEC
WEIGHT
CUSTOMER DRAWING

STE TE Connectivity

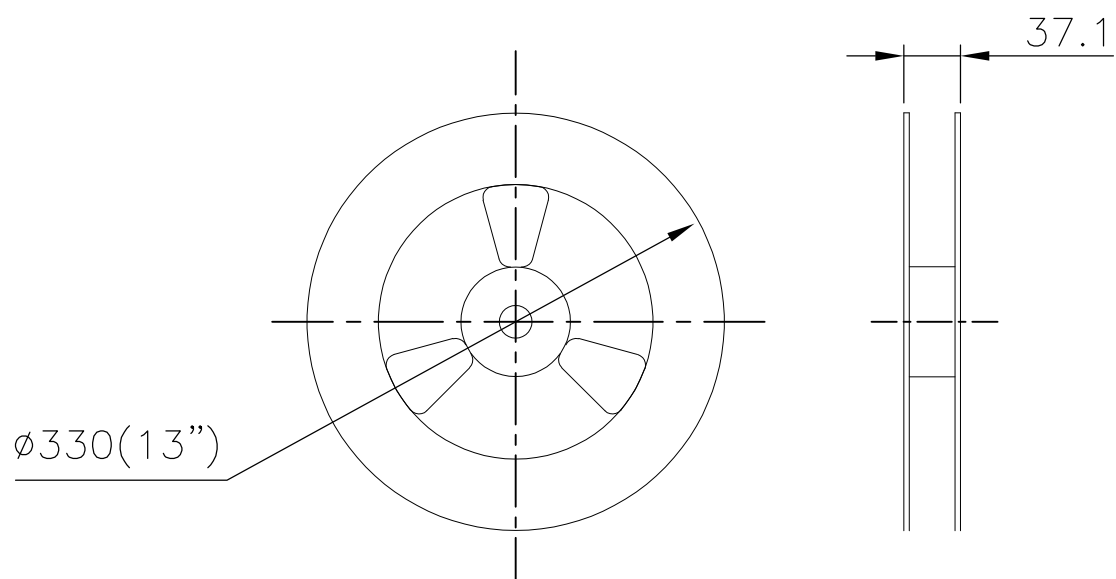
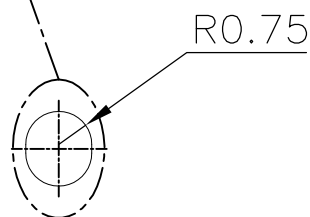
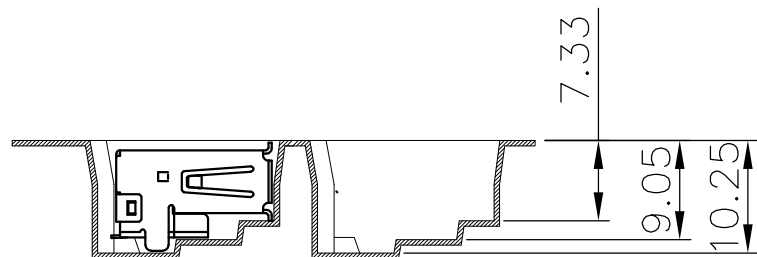
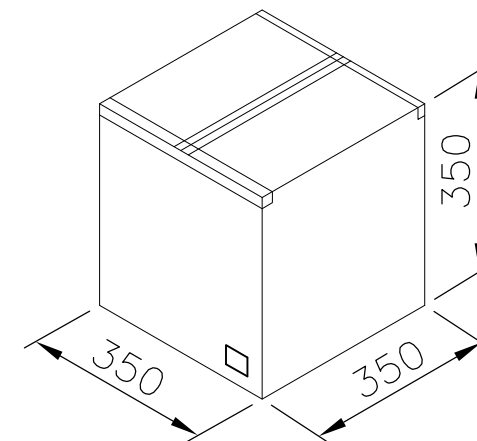
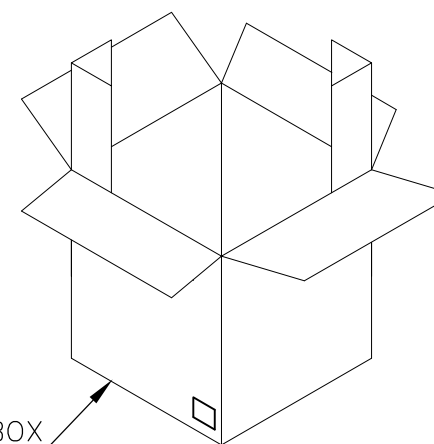
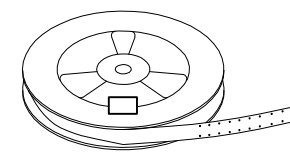
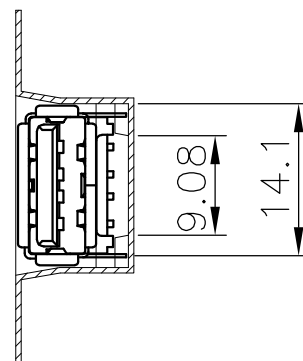
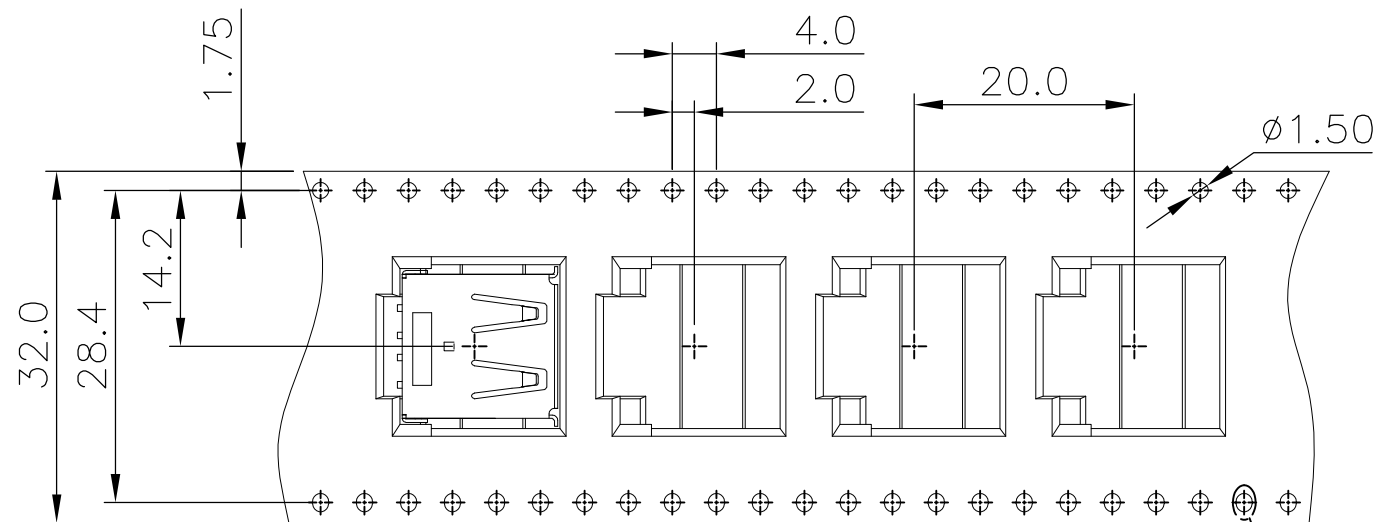
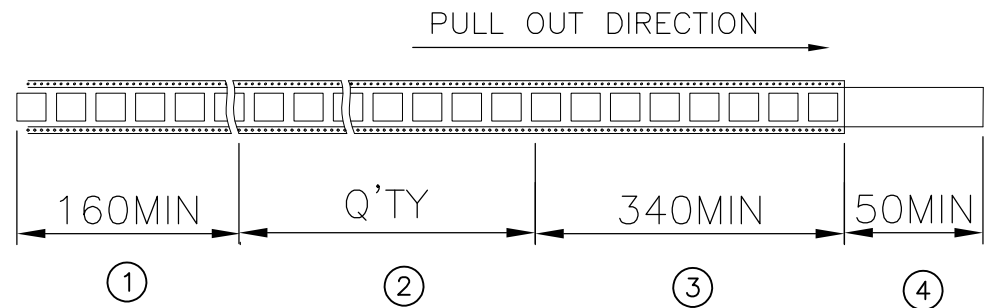
NAME
USB CON, RCPT, ASS'Y, R/A SMT, A TYPE

SIZE	CAGE CODE	DRAWING NO	RESTRICTED TO
A3	00779	C=1734082	-

SCALE - SHEET 3 OF 4 REV B1

THIS DRAWING IS UNPUBLISHED. RELEASED FOR PUBLICATION
 © COPYRIGHT - BY - ALL RIGHTS RESERVED.

LOC	DIST	REVISIONS				
P	LTR	DESCRIPTION	DATE	DWN	APVD	
		SEE SHEET 1.				



300	9	2700	12	5.94	2-1734082-1
PCS/REEL	REELS/CARTON	QUANTITY (PCS)	G/W (Kg)	N/W (Kg)	PART NUMBER

THIS DRAWING IS A CONTROLLED DOCUMENT.		DWN	TE Connectivity		
DIMENSIONS: MM		CHK			
TOLERANCES UNLESS OTHERWISE SPECIFIED:		APVD	NAME		
0 PLC ± -		PRODUCT SPEC	USB CON, RCPT, ASS'Y, R/A SMT, A TYPE		
1 PLC ± -		APPLICATION SPEC	SIZE	CAGE CODE	DRAWING NO
2 PLC ± -		WEIGHT	A3	00779	C=1734082
3 PLC ± -		CUSTOMER DRAWING	SCALE	SHEET	REV
4 PLC ± -			-	4 OF 4	B1
ANGLES ± -					
FINISH					
MATERIAL					