



Chipsmall Limited consists of a professional team with an average of over 10 year of expertise in the distribution of electronic components. Based in Hongkong, we have already established firm and mutual-benefit business relationships with customers from,Europe,America and south Asia,supplying obsolete and hard-to-find components to meet their specific needs.

With the principle of “Quality Parts,Customers Priority,Honest Operation,and Considerate Service”,our business mainly focus on the distribution of electronic components. Line cards we deal with include Microchip,ALPS,ROHM,Xilinx,Pulse,ON,Everlight and Freescale. Main products comprise IC,Modules,Potentiometer,IC Socket,Relay,Connector.Our parts cover such applications as commercial,industrial, and automotives areas.

We are looking forward to setting up business relationship with you and hope to provide you with the best service and solution. Let us make a better world for our industry!



## Contact us

Tel: +86-755-8981 8866 Fax: +86-755-8427 6832

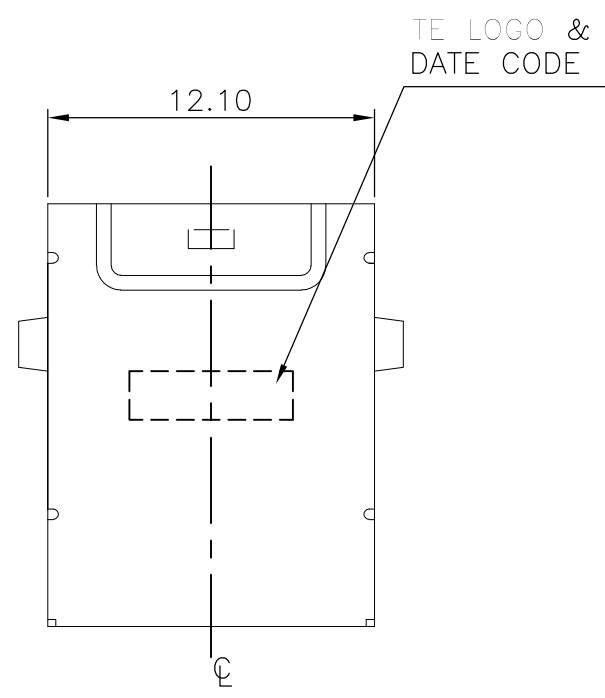
Email & Skype: info@chipsmall.com Web: www.chipsmall.com

Address: A1208, Overseas Decoration Building, #122 Zhenhua RD., Futian, Shenzhen, China

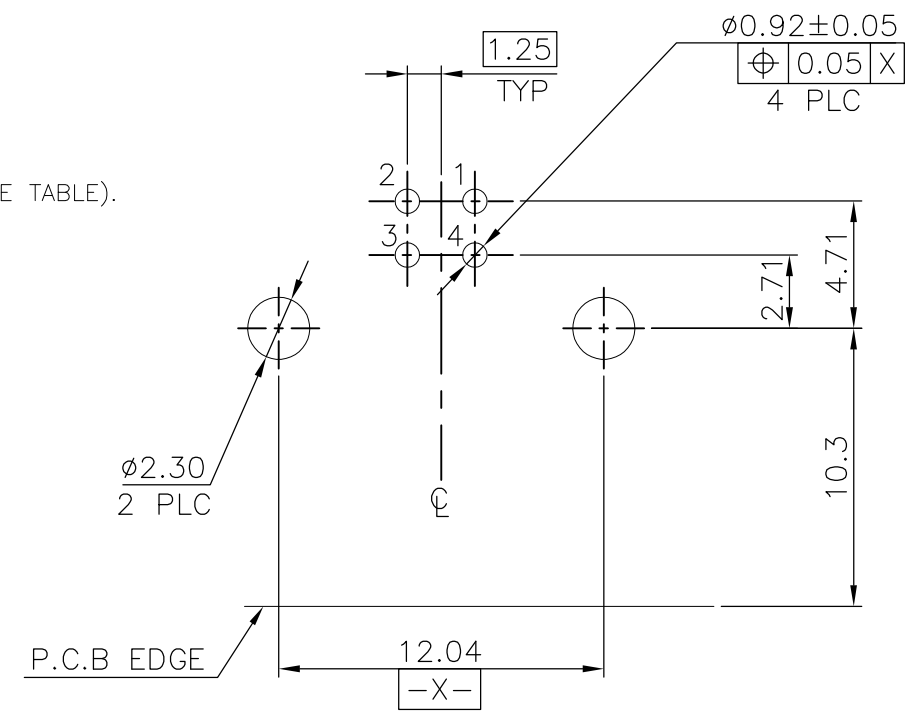


THIS DRAWING IS UNPUBLISHED. RELEASED FOR PUBLICATION  
 © COPYRIGHT - BY - ALL RIGHTS RESERVED.

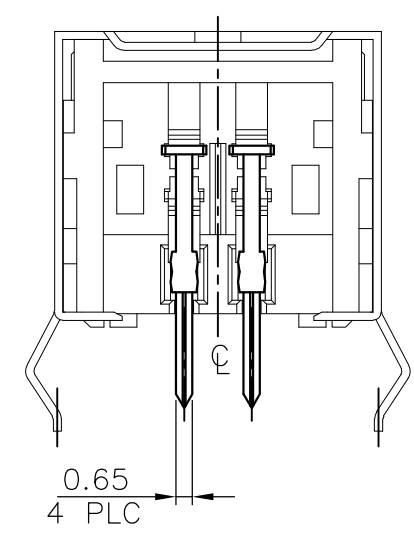
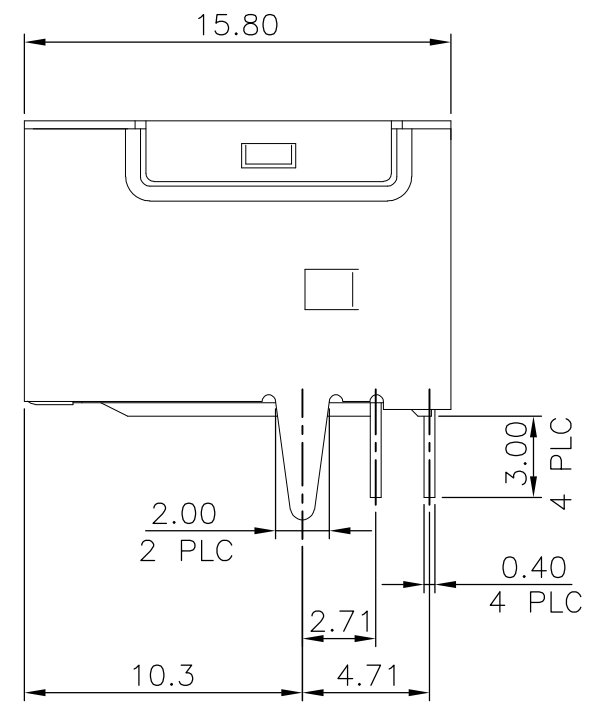
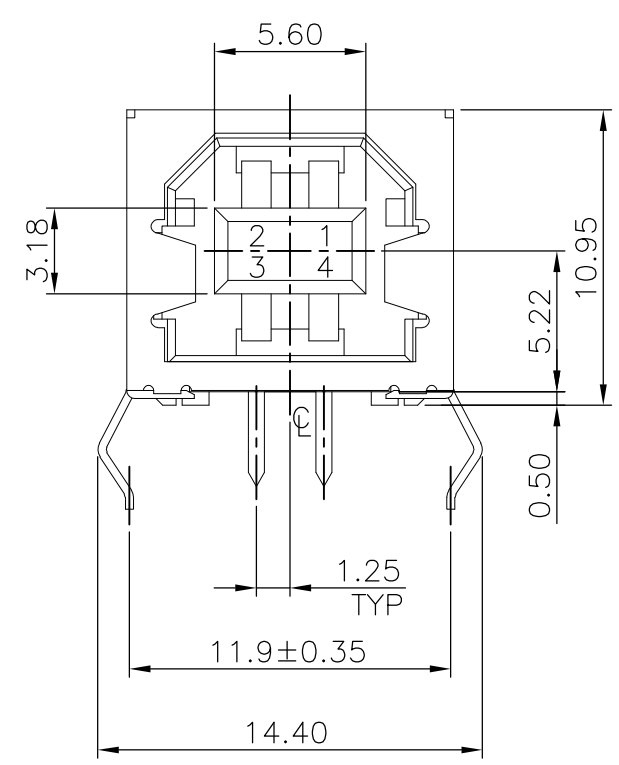
LOC	DIST	REVISIONS			
P	LTR	DESCRIPTION	DATE	DWN	APVD
	A1	REVISED PER ECO-11-005301	11APR11	RK	HMR



- NOTES:
- MATERIAL:  
 HOUSING: THERMOPLASTIC (SEE TABLE), WITH 30% GF, UL 94V-0 RATED, COLOR: (SEE TABLE).  
 CONTACTS: PHOSPHOR BRONZE.  
 SHIELD: BRASS.
  - FINISH:  
 CONTACT: 0.762µm [30µ"] MIN. GOLD PLATING ON CONTACT AREA.  
 3.048µm [120µ"] MIN. BRIGHT TIN PLATING ON SOLDER TAILS,  
 WITH ENTIRE CONTACT UNDERPLATED 1.27µm [50µ"] MIN. NICKEL.  
 SHIELD: 0.762µm [30µ"] MIN. NICKEL PLATING WITH 0.762µm [30µ"] MIN.  
 Cu UNDERPLATING OVERALL.
- ⚠️ REFLOW SOLDER CAPABLE TO 260°C PER TE CONNECTIVITY SPEC 109-201, CONDITION B.  
 ⚠️ WAVE SOLDER CAPABLE TO 240°C PER TE CONNECTIVITY SPEC 109-202, CONDITION A.



RECOMMEND P.C.B LAYOUT (THICKNESS=1.6mm)  
 (COMPONENT SIDE) TOLERANCE±0.05



COLOR	HSG. MATERIAL	PART NUMBER
BLUE PANTONE (285C)	⚠️ PA46	1734086-4
WHITE	⚠️ PA46	1734086-3
BLACK	⚠️ PA46	1734086-2
WHITE	⚠️ PBT	1734086-1

THIS DRAWING IS A CONTROLLED DOCUMENT.		DWN F. YANG 15JUL2009	TE Connectivity	
DIMENSIONS: MM		CHK S. CHIEN 15JUL2009		
TOLERANCES UNLESS OTHERWISE SPECIFIED:		APVD W. KODAMA 15JUL2009	NAME	
0 PLC ± - 1 PLC ± 0.3 2 PLC ± 0.2 3 PLC ± 0.15 4 PLC ± - ANGLES ± 3°		PRODUCT SPEC 108-57549	USB CONNECTOR, B TYPE, RIGHT ANGLE	
MATERIAL SEE NOTE		FINISH SEE NOTE	APPLICATION SPEC	RESTRICTED TO
		WEIGHT 3.62 GRAMS	SIZE A3	CAGE CODE 00779
		CUSTOMER DRAWING	DRAWING NO C=1734086	SCALE -
			SHEET 1 OF 4	REV A1

THIS DRAWING IS UNPUBLISHED.

RELEASED FOR PUBLICATION

-, - .

© COPYRIGHT - BY -

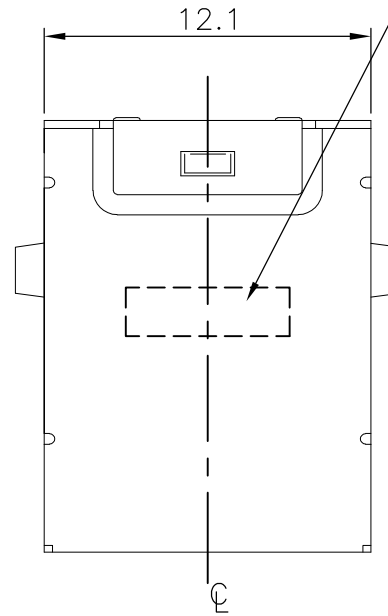
ALL RIGHTS RESERVED.

LOC DW DIST

REVISIONS

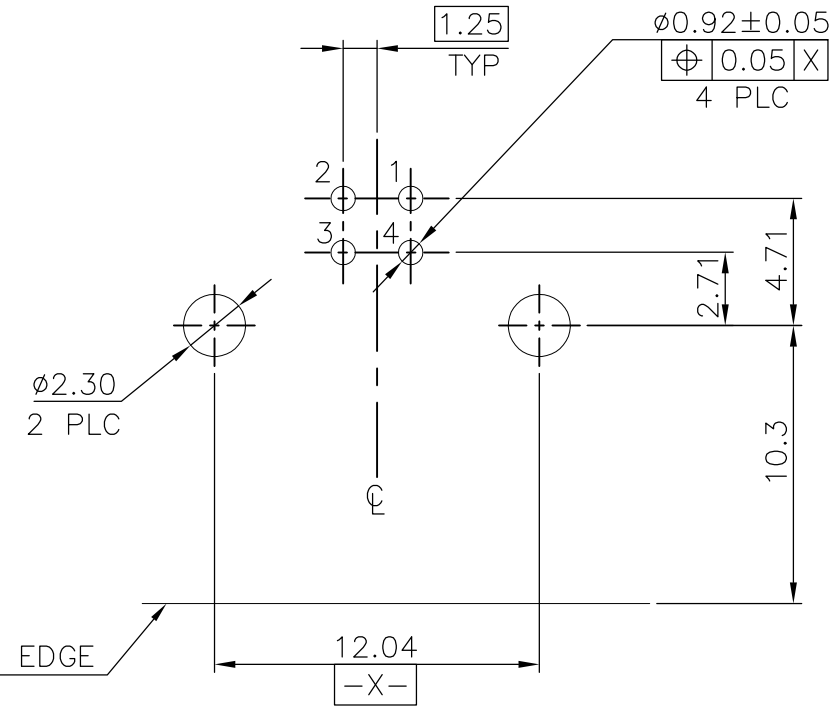
P	LTR	DESCRIPTION	DATE	DWN	APVD
		SEE SHEET 1.			

TE LOGO & DATE CODE

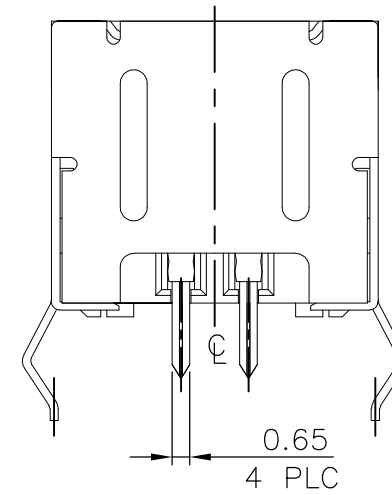
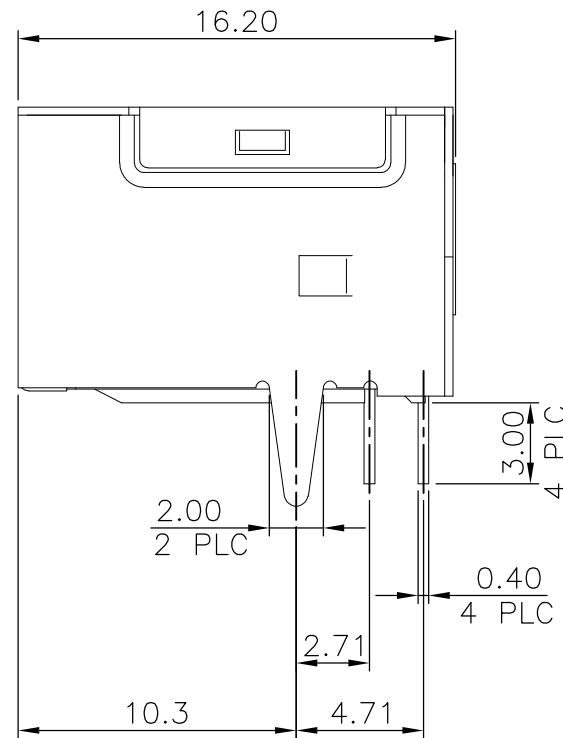
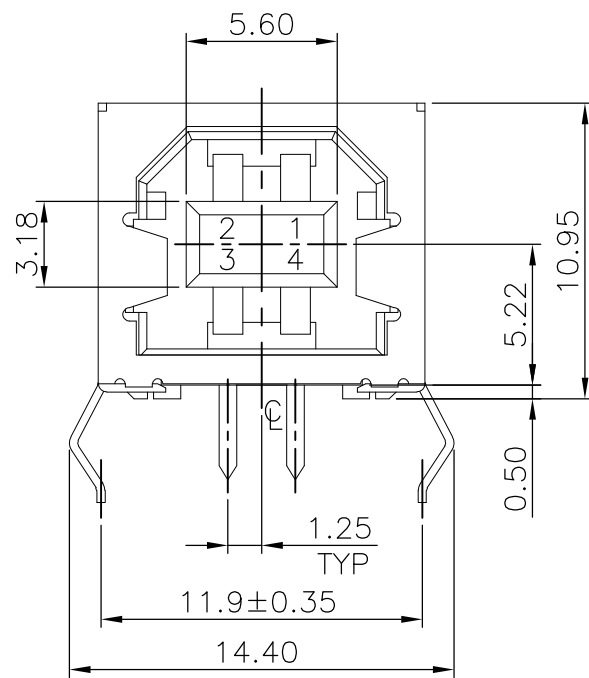


NOTES:

- MATERIAL:  
HOUSING: THERMOPLASTIC (SEE TABLE), WITH 30% GF, UL 94V-0 RATED, COLOR: (SEE TABLE).  
CONTACTS: PHOSPHOR BRONZE.  
FRONT SHIELD: BRASS.  
REAR SHIELD: SPCC.
  - FINISH:  
CONTACT: 0.762µm [30µ"] MIN. GOLD PLATING ON CONTACT AREA.  
3.048µm [120µ"] MIN. BRIGHT TIN PLATING ON SOLDER TAILS, WITH ENTIRE CONTACT UNDERPLATED 1.27µm [50µ"] MIN. NICKEL.  
FRONT SHIELD: 0.762µm [30µ"] MIN. NICKEL PLATING WITH 0.762µm [30µ"] MIN. Cu UNDERPLATING OVERALL.  
REAR SHIELD: 0.762µm [30µ"] MIN. NICKEL PLATING WITH 0.762µm [30µ"] MIN. Cu UNDERPLATING OVERALL.
- ⚠ REFLOW SOLDER CAPABLE TO 260°C PER TE CONNECTIVITY SPEC 109-201, CONDITION B.  
⚠ WAVE SOLDER CAPABLE TO 240°C PER TE CONNECTIVITY SPEC 109-202, CONDITION A.



RECOMMEND P.C.B LAYOUT (THICKNESS=1.6mm) (COMPONENT SIDE) TOLERANCE±0.05



BLACK	⚠ PA46	1-1734086-2
WHITE	⚠ PBT	1-1734086-1
COLOR	HSG. MATERIAL	PART NUMBER

THIS DRAWING IS A CONTROLLED DOCUMENT.		DWN	<b>STE</b> TE Connectivity		
DIMENSIONS: MM		CHK			
TOLERANCES UNLESS OTHERWISE SPECIFIED:		APVD	NAME		
0 PLC ± -		PRODUCT SPEC	USB CONNECTOR, B TYPE, RIGHT ANGLE		
1 PLC ± 0.3		APPLICATION SPEC	SIZE	CAGE CODE	DRAWING NO
2 PLC ± 0.2			A3	00779	C=1734086
3 PLC ± 0.15			RESTRICTED TO		
4 PLC ± -			-		
ANGLES ± 3°		WEIGHT	SCALE		
MATERIAL SEE NOTE		3.62 GRAMS	SHEET 2 OF 4		
FINISH SEE NOTE		CUSTOMER DRAWING	REV A1		

4

3

2

1

THIS DRAWING IS UNPUBLISHED.

RELEASED FOR PUBLICATION

- . .

© COPYRIGHT - BY -

ALL RIGHTS RESERVED.

LOC  
DWDIST  
/

REVISIONS

P	LTR	DESCRIPTION	DATE	DWN	APVD
		SEE SHEET 1.			

TE LOGO &  
DATE CODE

NOTES:

- MATERIAL:  
HOUSING: THERMOPLASTIC (SEE TABLE), WITH 30% GF, UL 94V-0 RATED,  
COLOR: (SEE TABLE).  
CONTACTS: PHOSPHOR BRONZE.  
SHIELD: BRASS.
- FINISH:  
CONTACT: 0.762µm [30µ"] MIN. GOLD PLATING ON CONTACT AREA.  
3.048µm [120µ"] MIN. BRIGHT TIN PLATING ON SOLDER TAILS,  
WITH ENTIRE CONTACT UNDERPLATED 1.27µm [50µ"] MIN. NICKEL.  
SHIELD: 0.762µm [30µ"] MIN. NICKEL PLATING WITH  
0.762µm [30µ"] MIN. Cu UNDER PLATING OVERALL.

3 REFLOW SOLDER CAPABLE TO 260°C PER TE CONNECTIVITY SPEC. 109-201, CONDITION B.

4 WAVE SOLDER CAPABLE TO 240°C PER TE CONNECTIVITY SPEC. 109-202, CONDITION A.

RECOMMEND P.C.B LAYOUT (THICKNESS=1.6mm)  
(COMPONENT SIDE) TOLERANCE±0.05

BLACK	PA46	2-1734086-2
WHITE	PBT	2-1734086-1
COLOR	HSG. MATERIAL	PART NUMBER

THIS DRAWING IS A CONTROLLED DOCUMENT.

DWN

CHK

APVD

PRODUCT SPEC

APPLICATION SPEC

WEIGHT 3.62 GRAMS

CUSTOMER DRAWING

DIMENSIONS:  
MM

TOLERANCES UNLESS  
OTHERWISE SPECIFIED:

0 PLC	± -
1 PLC	± 0.3
2 PLC	± 0.2
3 PLC	± 0.15
4 PLC	± -
ANGLES	± 3°

MATERIAL

SEE NOTE

FINISH

SEE NOTE

TE Connectivity

NAME

USB CONNECTOR, B TYPE,  
RIGHT ANGLE

SIZE

CAGE CODE

DRAWING NO

RESTRICTED TO

A3

00779

C=1734086

SCALE

SHEET

3 OF 4

REV

A1

1470-19 (3/11)

4

3

2

1

THIS DRAWING IS UNPUBLISHED.

RELEASED FOR PUBLICATION

ALL RIGHTS RESERVED.

© COPYRIGHT - BY -

LOC

DIST

REVISIONS

DW

P

LTR

DESCRIPTION

DATE

DWN

APVD

SEE SHEET 1.

5.08 Kg	3.62 Kg	100	10	1000 PCS
GROSS WEIGHT	NET WEIGHT	PCS/TRAY	TRAYS/BOX	QUANTITY

THIS DRAWING IS A CONTROLLED DOCUMENT.		DWN	TE Connectivity			
DIMENSIONS: MM		CHK				
		APVD	NAME			
TOLERANCES UNLESS OTHERWISE SPECIFIED: 0 PLC ± - 1 PLC ± - 2 PLC ± - 3 PLC ± - 4 PLC ± - ANGLES ± -		PRODUCT SPEC	USB CONNECTOR, B TYPE, RIGHT ANGLE			
MATERIAL		APPLICATION SPEC	SIZE	CAGE CODE	DRAWING NO	RESTRICTED TO
		FINISH	A3	00779	C=1734086	
			CUSTOMER DRAWING		SCALE	SHEET 4 OF 4
						REV A1

1470-19 (3/11)